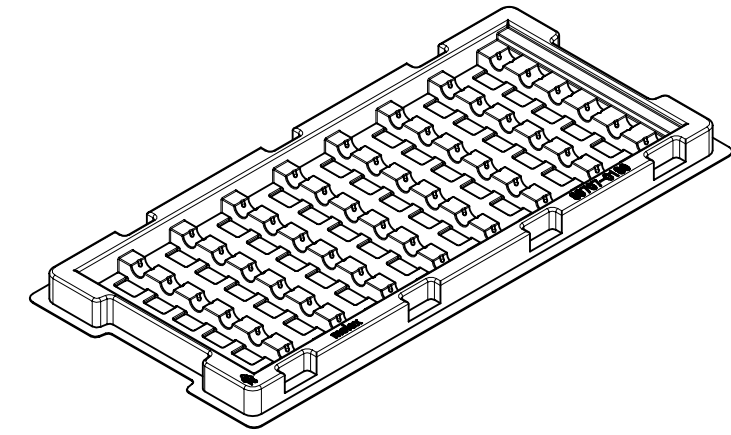
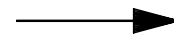
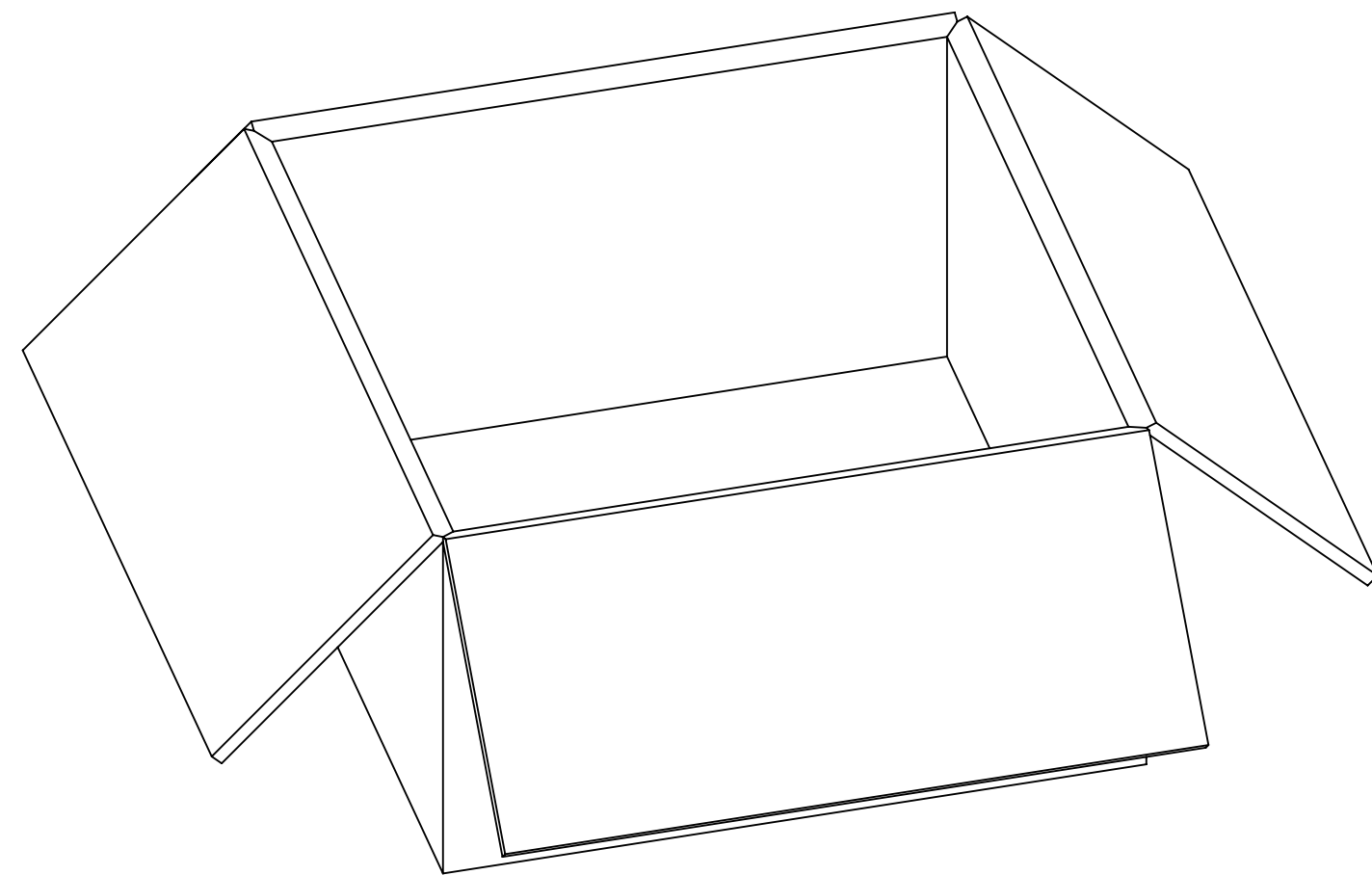
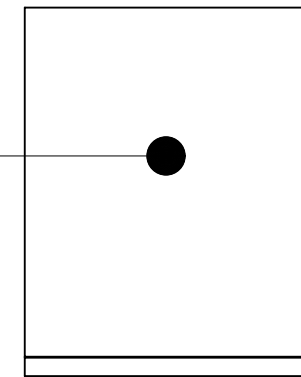


PRODUCT  
P/N: XXXXX-XXXX

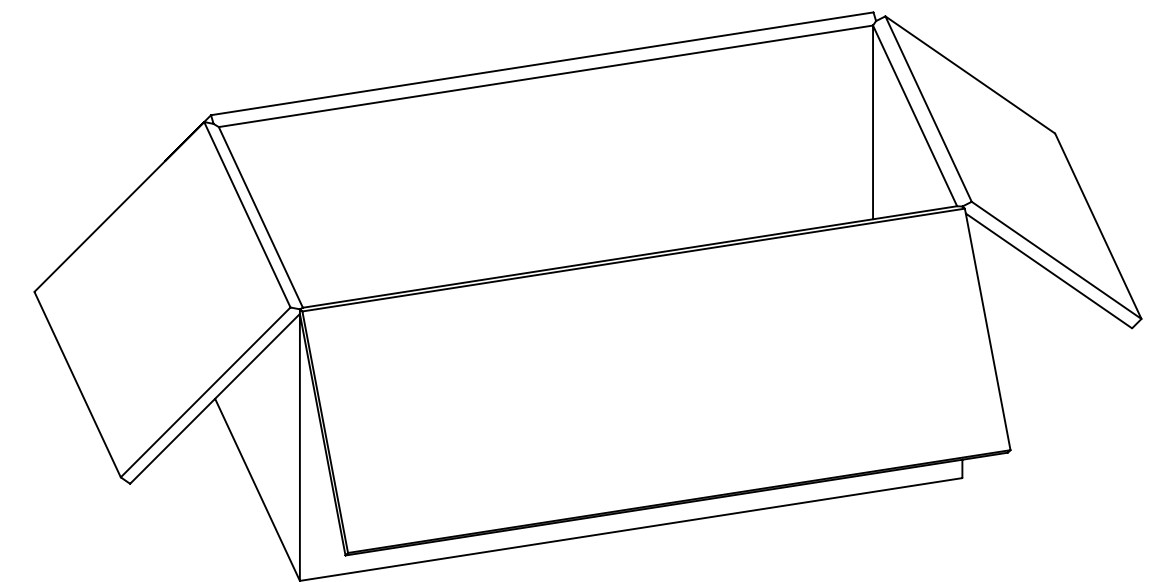
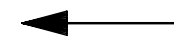


48 CONNECTORS PER TRAY

ACCESSORY 384 PCS PER BAG  
BE PLACED RESPECTIVELY  
INTO CARTON BOX



768 SETS PER OUTER CARTON BOX



384 SETS PER INNER CARTON BOX

<b>FUNCTIONAL SYMBOLS</b> $\nabla_A = 0$ $\nabla_C = 0$ $\nabla_P = 0$	THIS DRAWING CONTAINS INFORMATION THAT IS PROPRIETARY TO MOLEX ELECTRONIC TECHNOLOGIES, LLC AND SHOULD NOT BE USED WITHOUT WRITTEN PERMISSION		CURRENT REV DESC: NEW RELEASE								
	DIMENSION UNITS	SCALE									
	mm	NTS			PACKING SPEC 89707-0189 ACCESSORY DU 768 EWR-15460						
	GENERAL TOLERANCES (UNLESS SPECIFIED)				PRODUCT SALES DRAWING						
ANGULAR TOL ±				STATUS: Design Approved		DOCUMENT NUMBER		DOC TYPE	DOC PART	REVISION	
4 PLACES ±				DRWN: Ricky Yeh		2023-09-18	895420540	PSD	000	A	
3 PLACES ±				CHK'D: Elsa Ying		2023-09-19					
2 PLACES ±				APPR: Darry Cheng		2023-09-19					
1 PLACE ±				DRAFT WHERE APPLICABLE MUST REMAIN WITHIN DIMENSIONS		THIRD ANGLE PROJECTION	DRAWING	SERIES	MATERIAL NUMBER	CUSTOMER	SHEET NUMBER
0 PLACES ±						C-SIZE	89542	895420540			1 OF 1

MATERIALS AND FINISHES

BODY ZINC ALLOY  
 PLATED NICKEL  
 NOTE: ISOLATED FROM PANEL

HOUSING PLOYESTER BUTYLENE TEREPHTALATE  
 COLOR: BLACK

CENTER CONTACT PHOSPHOR BRONZE  
 PLATED GOLD

INSULATOR POLYPROPYLENE (94-V2)

MOUNTING POST BRASS  
 PLATED TIN

SOLDER TAIL BRASS WIRE  
 PLATED TIN

LOCKWASHER PHOSPHOR BRONZE  
 PLATED NICKEL

JAM NUT BRASS  
 PLATED NICKEL

METAL  
 ISOLATED FROM  
 PANEL

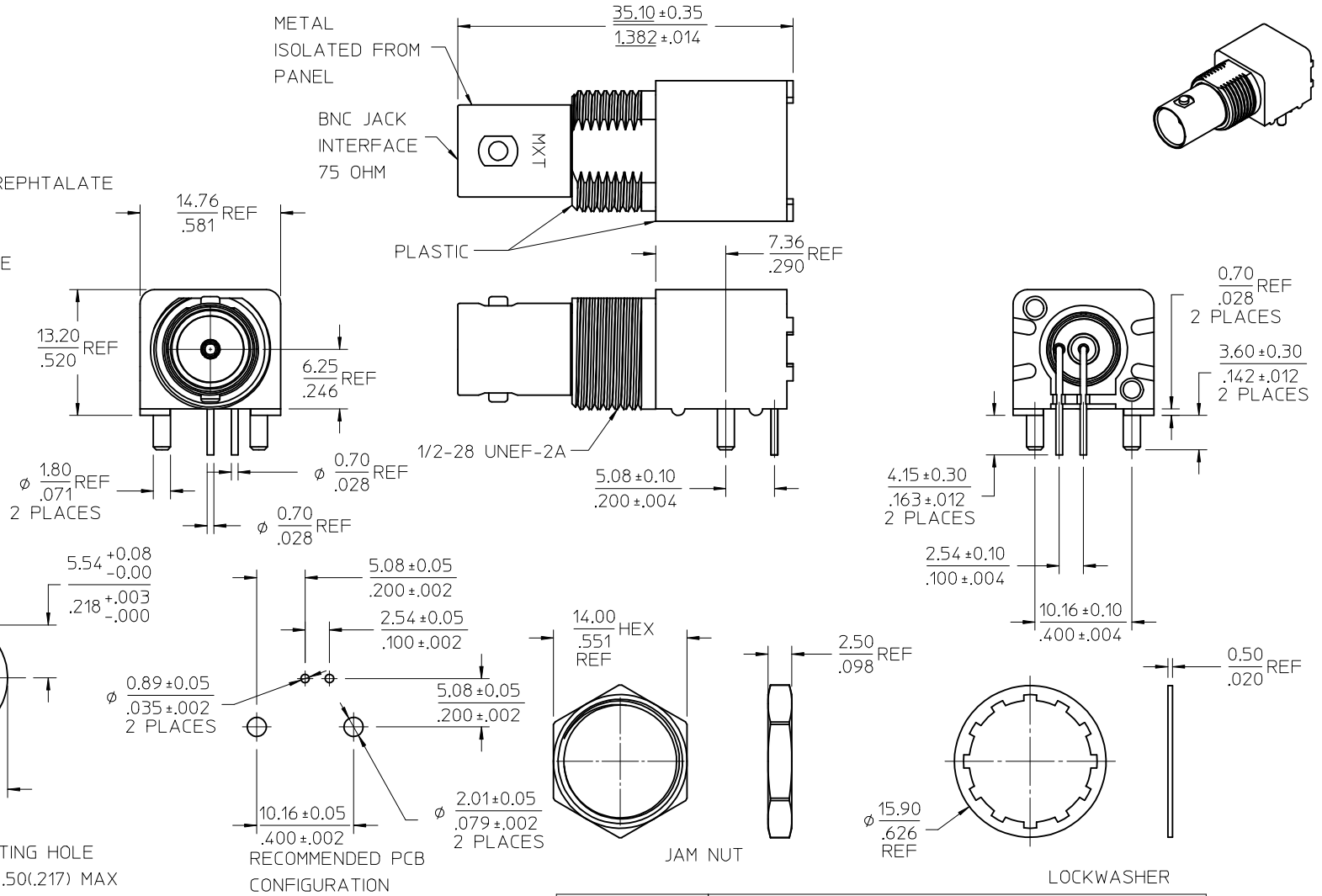
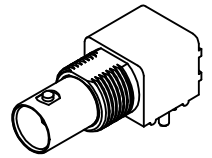
BNC JACK  
 INTERFACE  
 75 OHM

PLASTIC

1/2-28 UNEF-2A

JAM NUT

LOCKWASHER



RECOMMENDED MOUNTING HOLE  
 PANEL THICKNESS: 5.50(.217) MAX  
 RECOMMENDED MOUNTING TORQUE:  
 0.56 N( 5 INCH-LBS) MAX

RECOMMENDED PCB  
 CONFIGURATION

73171-6090	73100-0067 W/O NUT AND WASHER, TRAY PACK
73171-2980	73100-0067, ONE PER BAG
73100-0067	TRAY
PART NO.	PACKAGING

PS-89675-1030	PRODUCT SPECIFICATION
SPECIFICATION	DESCRIPTION

CHG: ADD  
 ISOLATION NOTE  
 PS WAS  
 73598-0051

EC NO: URF2014-0213  
 2013/10/07  
 DRW: WIENER  
 2013/10/07  
 CHK: SSS  
 2013/10/09  
 APPR: WIENER

QUALITY  
 SYMBOLS  
 ▽=0  
 ▽=0

GENERAL TOLERANCES  
 (UNLESS SPECIFIED)

	mm	INCH
4 PLACES	± .005	± .0002
3 PLACES	± .004	± .00015
2 PLACES	± .003	± .0001
1 PLACE	± .002	± .00005

ANGULAR ± 2°

DRAFT WHERE APPLICABLE  
 MUST REMAIN  
 WITHIN DIMENSIONS

DIMENSION STYLE  
 MM/IN

DRAWN BY	DATE
C. M. HUNG	1993/02/01
CHECKED BY	DATE
C. M. HUNG	1993/02/01
APPROVED BY	DATE
KWH	1993/04/01

MATERIAL NO.  
 SEE TABLE

SIZE  
 C

SCALE  
 DESIGN UNITS  
 METRIC

THIRD ANGLE  
 PROJECTION

TITLE  
 BNC JACK, R/A, PCB  
 RECEPTACLE, 75 OHMS  
 BNC-J/RA/PCB

MOLEX INCORPORATED

DOCUMENT NO.  
 SD-73100-0067

SHEET NO.  
 1 OF 1

THIS DRAWING CONTAINS INFORMATION THAT IS PROPRIETARY TO MOLEX  
 INCORPORATED AND SHOULD NOT BE USED WITHOUT WRITTEN PERMISSION