

**MATERIALS AND FINISHES:**

BODY: BRASS  
PLATED NICKEL

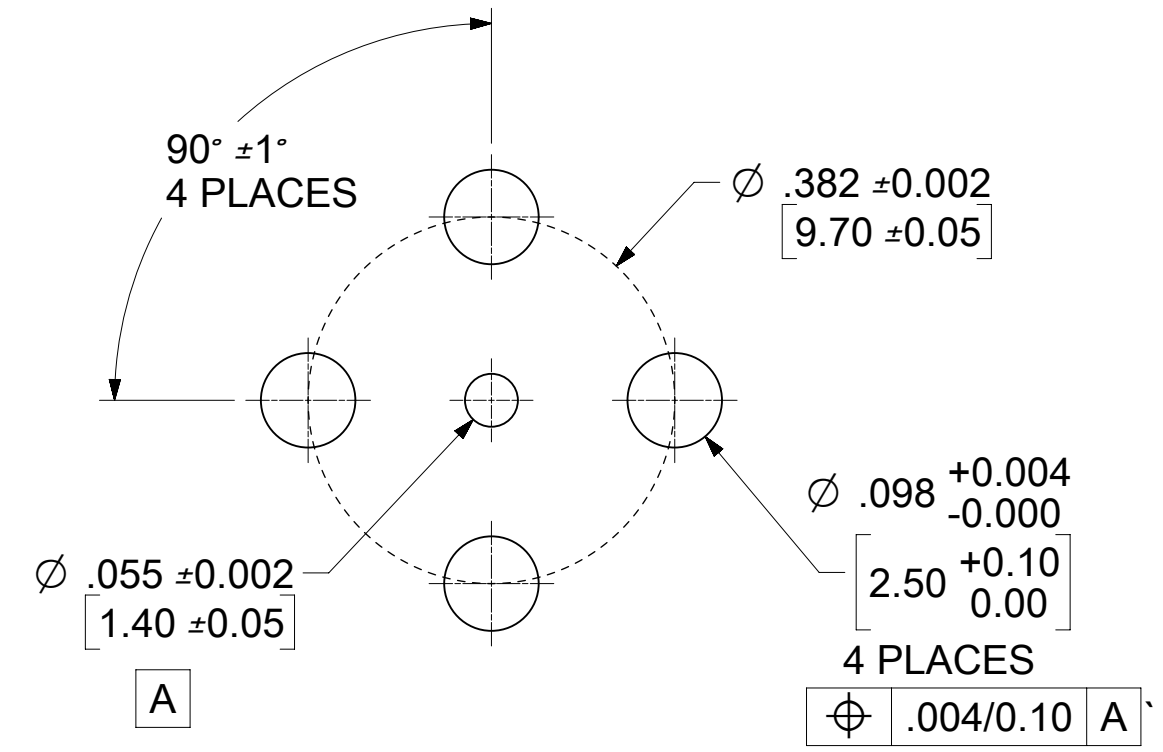
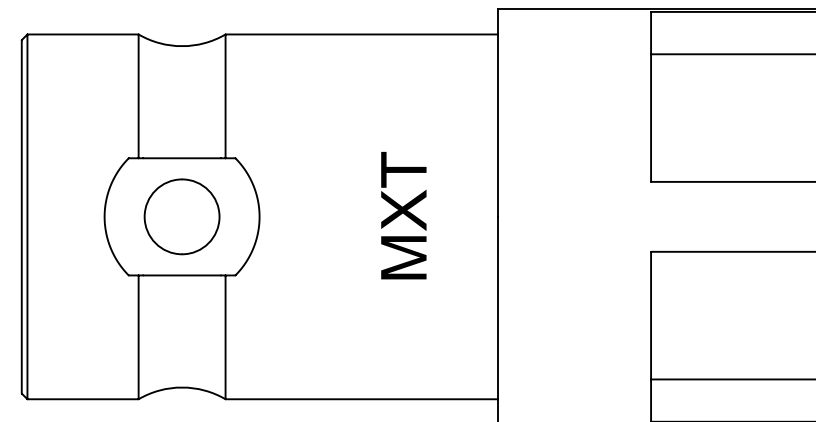
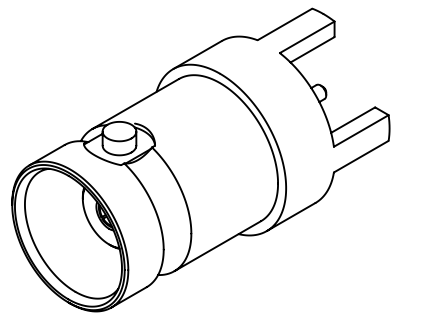
CENTER CONTACT: PHOSPHOR BRONZE  
PLATED GOLD

INSULATOR: TEFLON

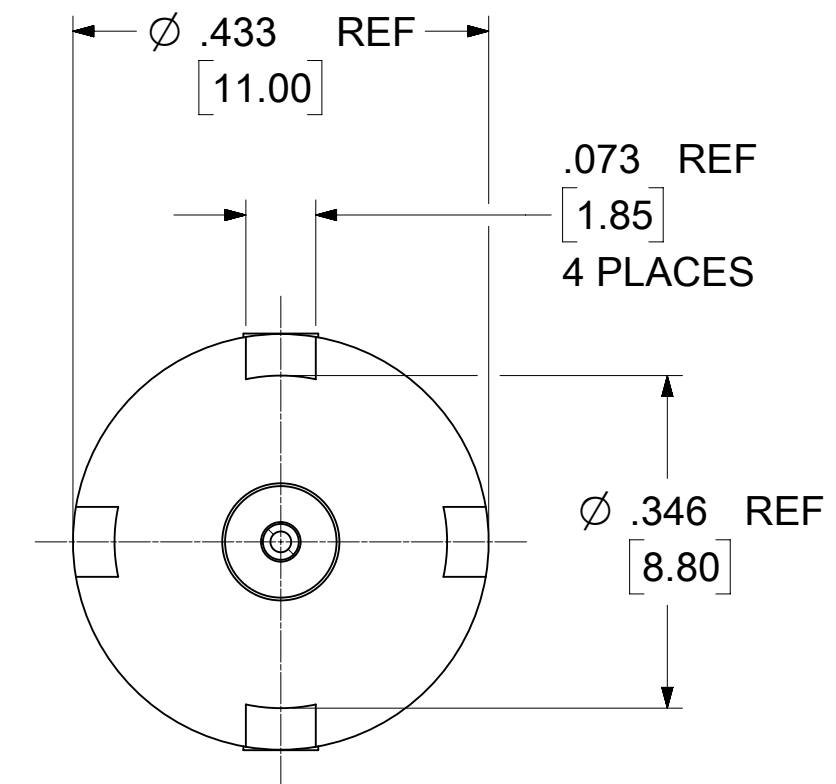
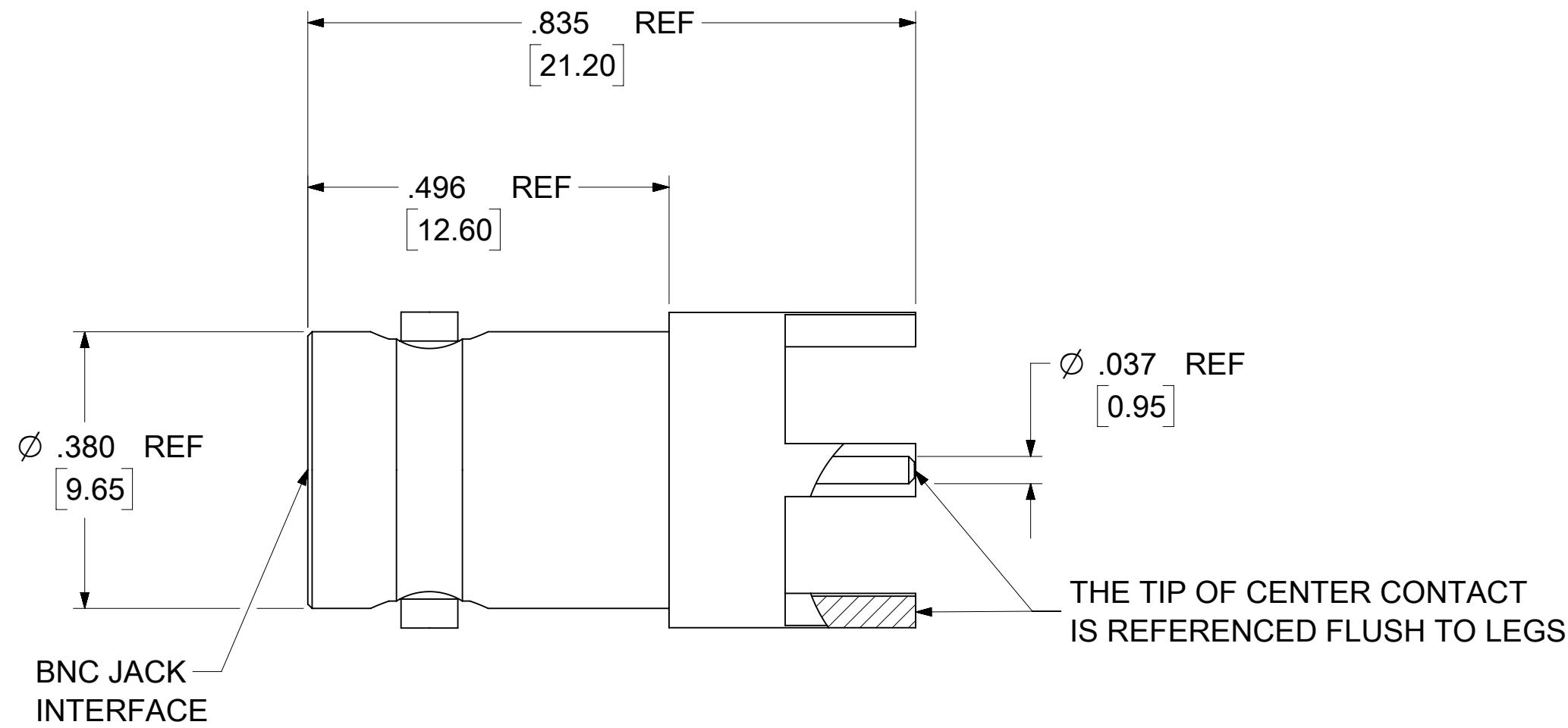
PRESS RING: BRASS  
PLATED NICKEL

**ELECTRICAL CHARACTERISTICS:**

NOMINAL IMPEDANCE: 50Ω  
FREQUENCY RANGE: DC-4 GHz  
VSWR: 1.25 MAX  
INSERTION LOSS: 0.3 dB



RECOMMENDED PCB PATTERN



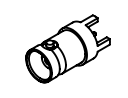
73171-3050	73100-0153, ONE PER BAG
73100-0153	TRAY
PART NO.	PACKAGING

PS-73598-0061	ELEC/MECH PERFORMANCE
SPECIFICATION	DESCRIPTION

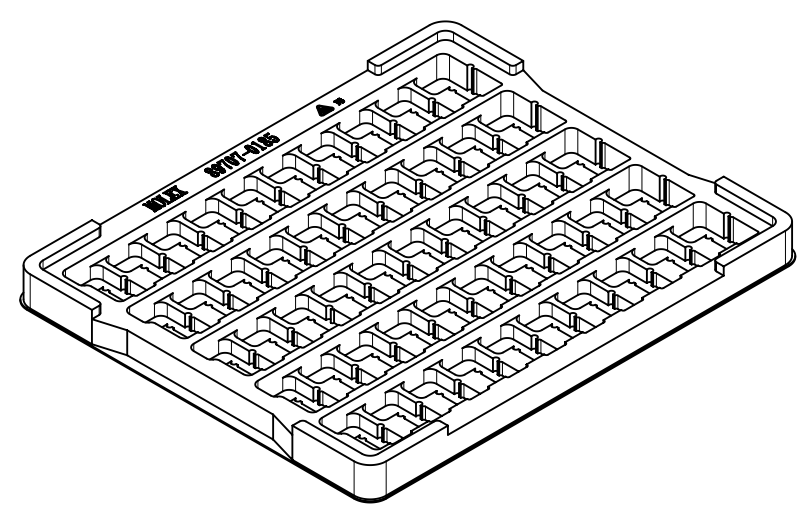
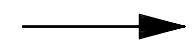
B2	2019/3/19	ADD ELECTRICAL CHARACTERISTICS
REV	DATE	DESCRIPTION
		ADD PACKING SHEETS PER EWR 12963-A

THIS DRAWING CONTAINS INFORMATION THAT IS PROPRIETARY TO MOLEX ELECTRONIC TECHNOLOGIES, LLC AND SHOULD NOT BE USED WITHOUT WRITTEN PERMISSION

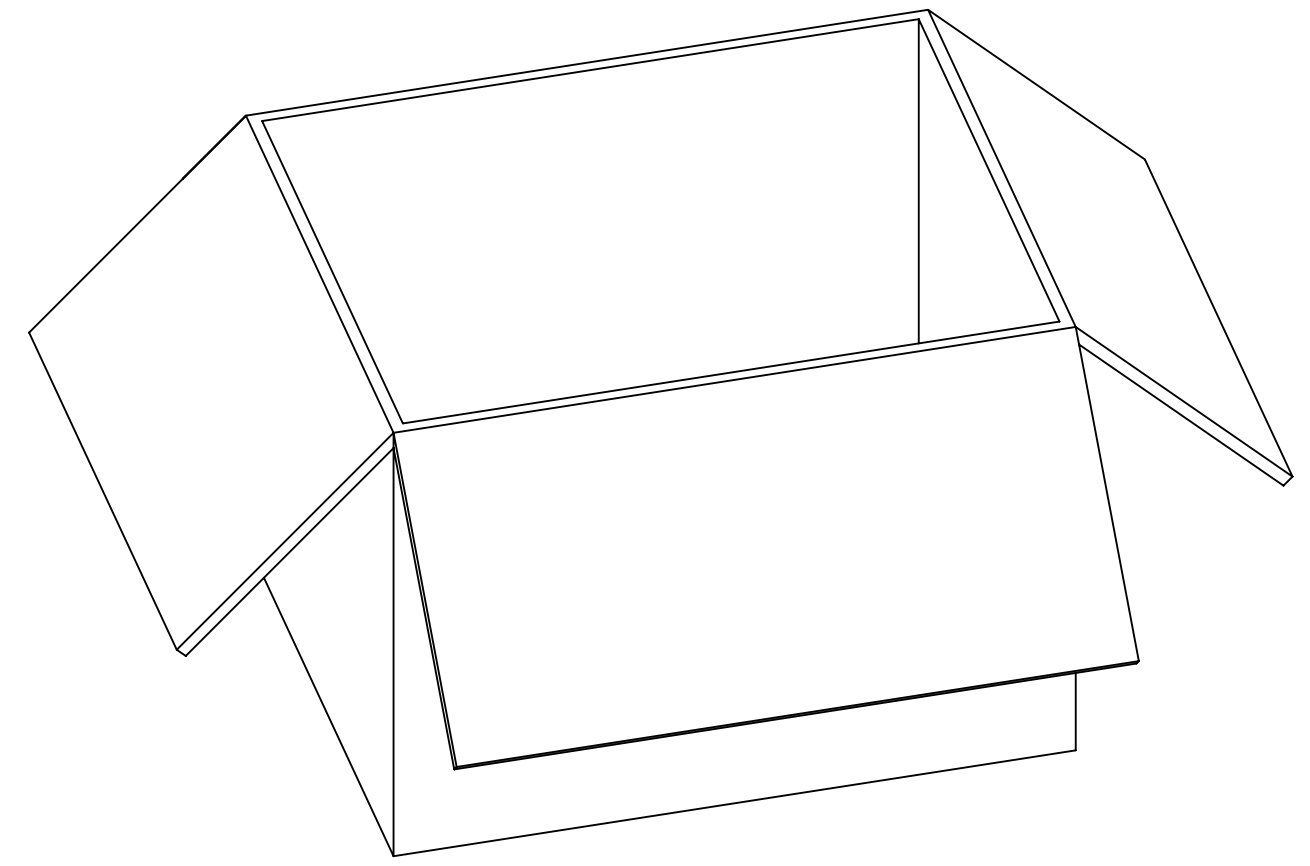
DIMENSION UNITS	SCALE	CURRENT REV DESC:	<b>molex</b>		
HYBRID	NTS				
GENERAL TOLERANCES (UNLESS SPECIFIED)			BNC JACK STR PCB TH 50 OHMS BNC-J/PCB		
ANGULAR TOL	± 2.0°	EC NO: 614092	PRODUCT CUSTOMER DRAWING		
4 PLACES	±	DRWN: RYEH 2019/03/13	DOCUMENT NUMBER	DOC TYPE	DOC PART
3 PLACES	±	CHK'D: YCHENG 2019/05/02	SD-73100-0153	PSD	001
2 PLACES	±	APPR: YCHENG 2019/05/02	REVISION		
1 PLACE	±	INITIAL REVISION:	B2		
0 PLACES	±	DRWN: AROBERTSON 2007/04/09	MATERIAL NUMBER	CUSTOMER	SHEET NUMBER
DRAFT WHERE APPLICABLE MUST REMAIN WITHIN DIMENSIONS			SEE TABLE	GENERAL MARKET	1 OF 3
THIRD ANGLE PROJECTION			C-SIZE	73100	



P/N: 73100-0153



50 SETS PER TRAY  
P/N: 89707-0185



1000 SETS PER CARTON  
P/N: 89499-9027

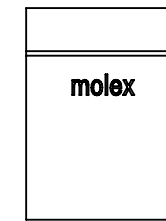
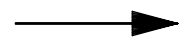
THIS DRAWING CONTAINS INFORMATION THAT IS PROPRIETARY TO MOLEX ELECTRONIC TECHNOLOGIES, LLC AND SHOULD NOT BE USED WITHOUT WRITTEN PERMISSION

DIMENSION UNITS		SCALE		CURRENT REV DESC:		<b>molex</b>				
HYBRID		NTS								
GENERAL TOLERANCES (UNLESS SPECIFIED)						BNC JACK STR PCB TH 50 OHMS BNC-J/PCB				
ANGULAR TOL ± 2.0°										
4 PLACES ±		EC NO: 614092		2019/03/13		PRODUCT CUSTOMER DRAWING				
3 PLACES ±		DRWN: RYEH		2019/05/02						
2 PLACES ±		CHK'D: YCHENG		2019/05/02		DOCUMENT NUMBER				
1 PLACE ±		APPR: YCHENG		2019/05/02						SD-73100-0153
0 PLACES ±		INITIAL REVISION:		2007/04/09		SEE TABLE		GENERAL MARKET	2 OF 3	
DRAFT WHERE APPLICABLE MUST REMAIN WITHIN DIMENSIONS		THIRD ANGLE PROJECTION		DRAWING	SERIES			MATERIAL NUMBER		
				C-SIZE	73100	GENERAL MARKET	GENERAL MARKET	2 OF 3		

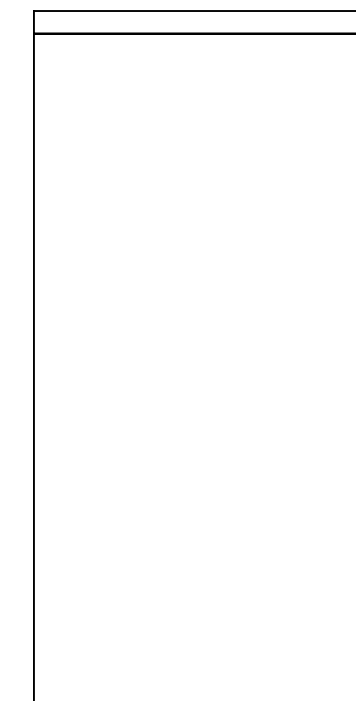
DOCUMENT STATUS	P1	RELEASE DATE	2019/05/02	08:43:10
-----------------	----	--------------	------------	----------



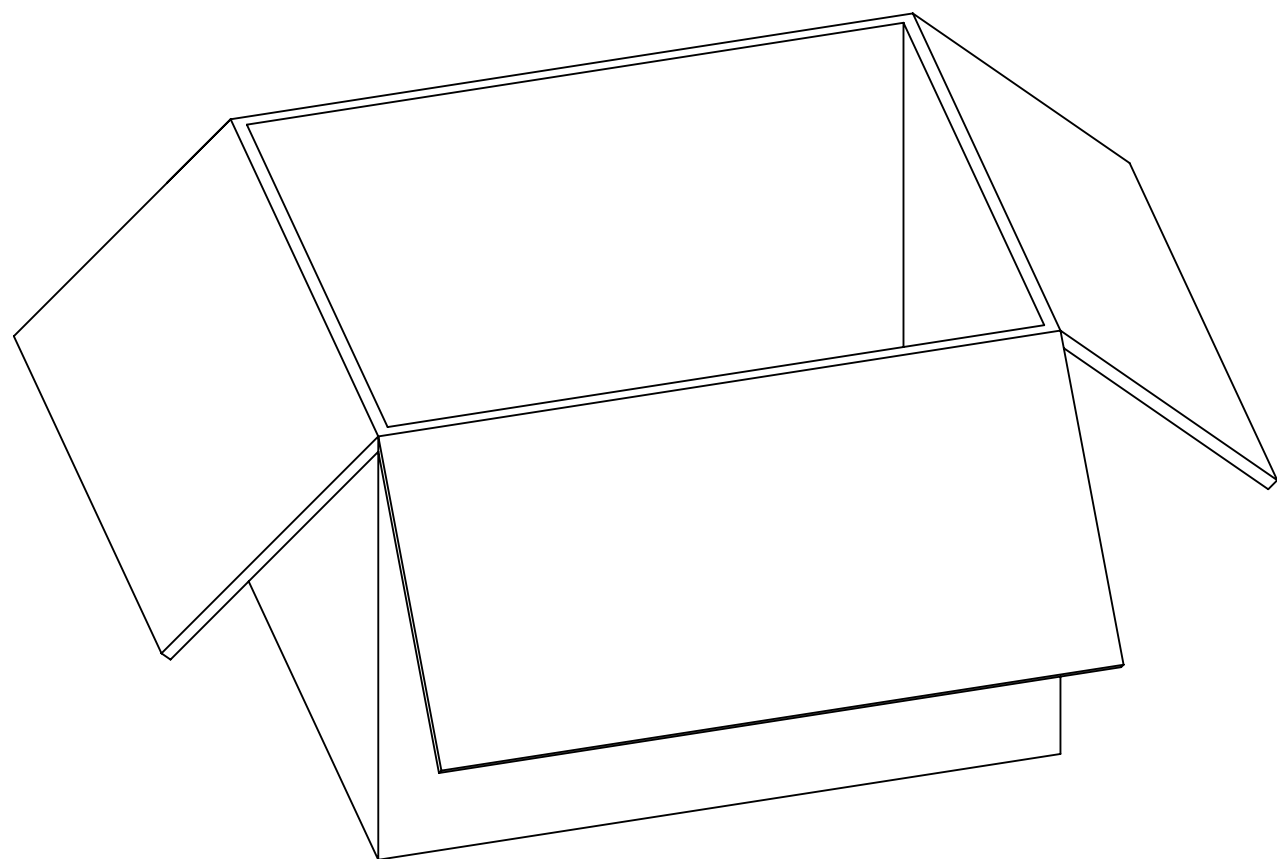
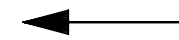
PN: 73171-3050



ONE PER BAG  
P/N: 89707-0317



50 SETS PER BAG  
P/N: 89707-0174



500 SETS PER CARTON  
P/N: 89499-9027

THIS DRAWING CONTAINS INFORMATION THAT IS PROPRIETARY TO MOLEX ELECTRONIC TECHNOLOGIES, LLC AND SHOULD NOT BE USED WITHOUT WRITTEN PERMISSION

DIMENSION UNITS		SCALE		CURRENT REV DESC:			<b>molex</b>							
HYBRID		NTS												
GENERAL TOLERANCES (UNLESS SPECIFIED)				EC NO: 614092			BNC JACK STR PCB TH 50 OHMS BNC-J/PCB							
ANGULAR TOL ± 2.0°				DRWN: RYEH 2019/03/13										
4 PLACES ±				CHK'D: YCHENG 2019/05/02										
3 PLACES ±				APPR: YCHENG 2019/05/02			PRODUCT CUSTOMER DRAWING							
2 PLACES ±				INITIAL REVISION:			DOCUMENT NUMBER							
1 PLACE ±				DRWN: AROBERTSON 2007/04/09			SD-73100-0153							
0 PLACES ±				APPR: GHUBBARD 1993/03/17			DOC TYPE DOC PART REVISION							
DRAFT WHERE APPLICABLE MUST REMAIN WITHIN DIMENSIONS				THIRD ANGLE PROJECTION		DRAWING		SERIES		MATERIAL NUMBER	CUSTOMER		SHEET NUMBER	
						C-SIZE		73100		SEE TABLE		GENERAL MARKET		3 OF 3

DOCUMENT STATUS	P1	RELEASE DATE	2019/05/02	08:43:10
-----------------	----	--------------	------------	----------