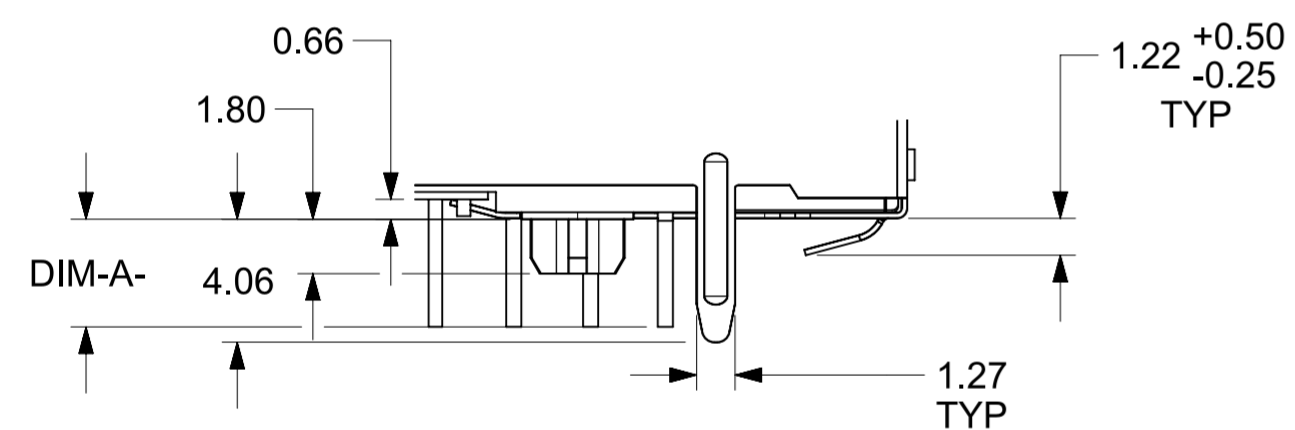
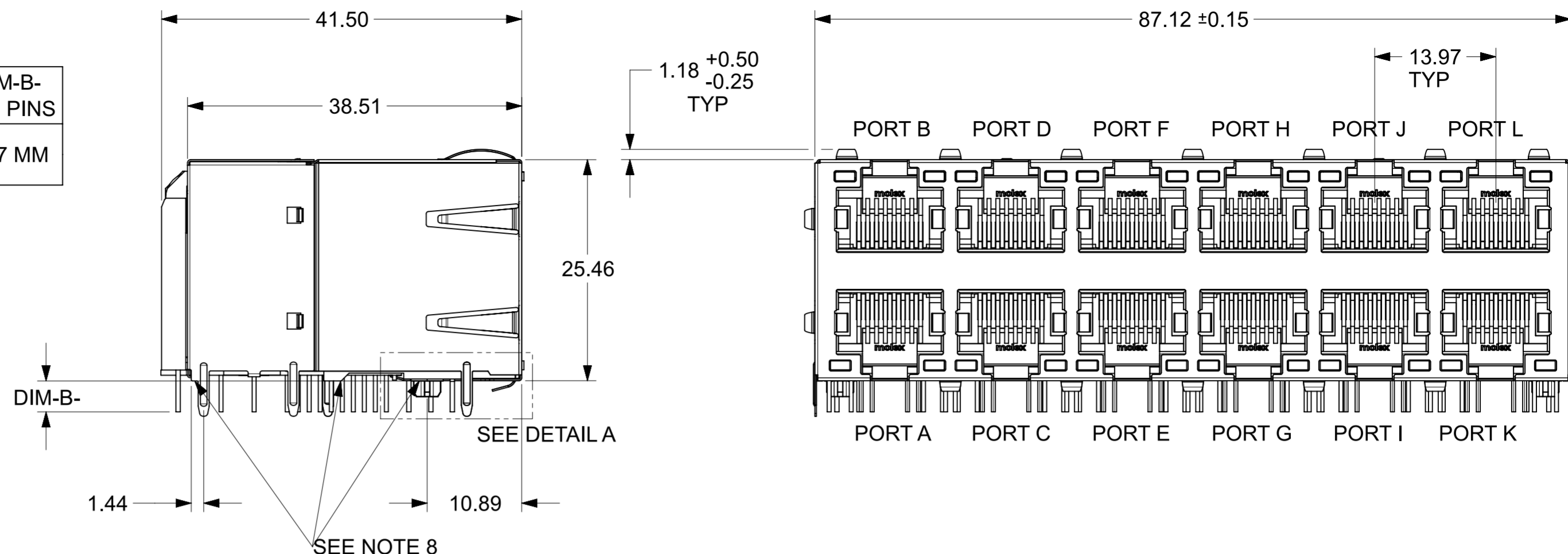


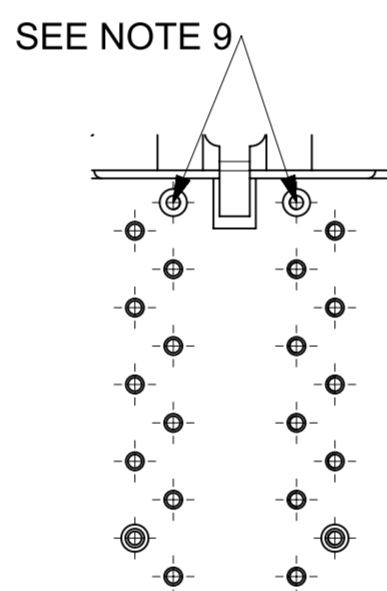
GIGABIT 12 PORT MAGNETIC JACK WITH LED's
AND INTEGRATED POWER OVER ETHERNET TRANSFORMERS
ACCORDING TO IEEE802.3at FOR PSE APPLICATIONS

PART NUMBER	UPPER & LOWER LED LEFT		UPPER & LOWER LED RIGHT		DIM-A-SIGNAL PINS	DIM-B-LED PINS
85731-1013	COLOUR 1	YELLOW	COLOUR 1	YELLOW	2.67 MM	2.67 MM
	COLOUR 2	GREEN	COLOUR 2	GREEN		

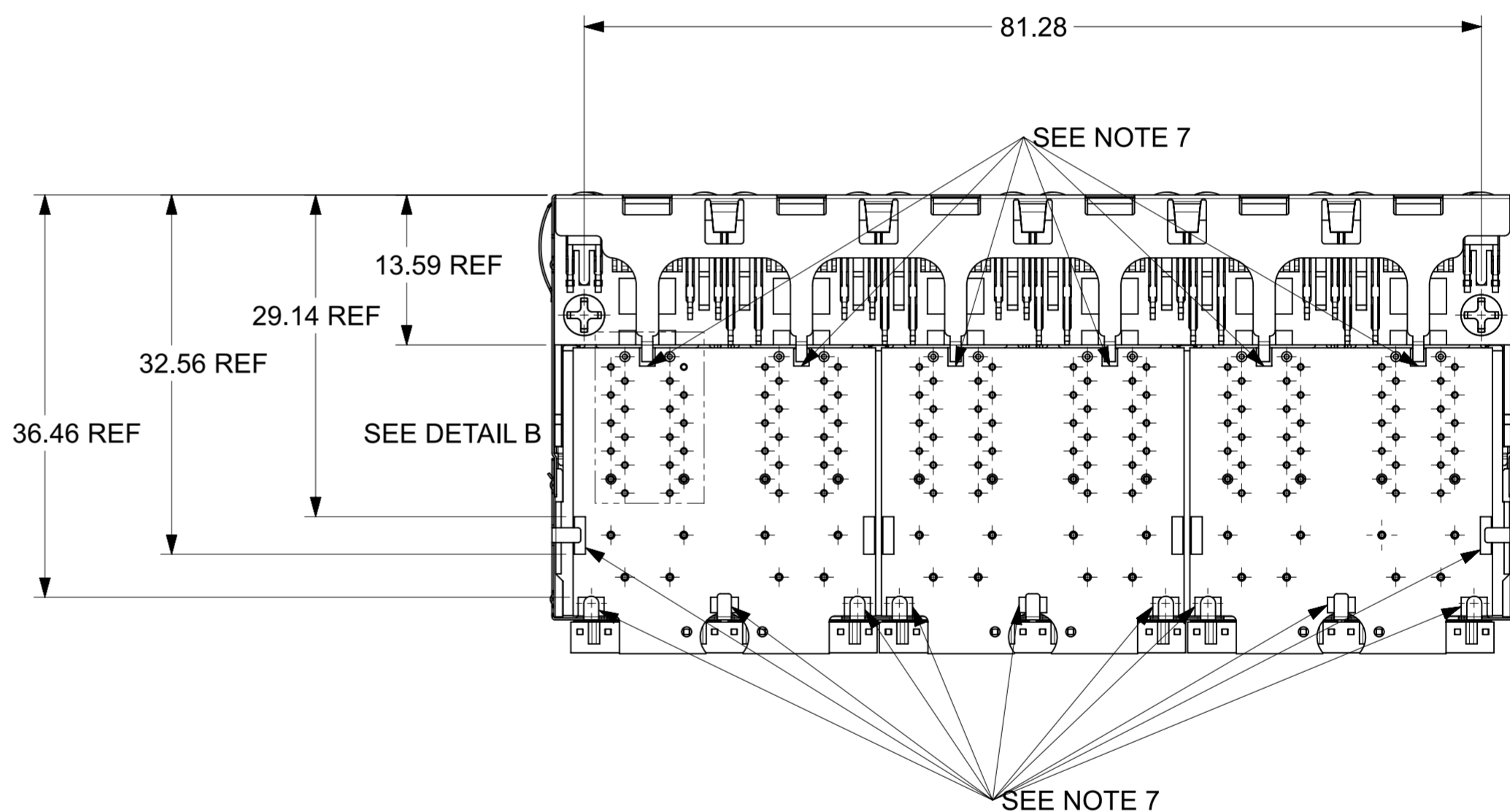
ADDITIONAL LED COLOURS AND CONFIGURATIONS
ARE AVAILABLE ON REQUEST



DETAIL A
SCALE 4:1



DETAIL B
SCALE 4:1



NOTES:

- SHIELD MATERIAL: BRASS; PLATING: NICKEL PRE-PLATING
- PLASTIC MATERIAL: POLYESTER (PBT)BLACK, 30%GR, UL 94 V-0
- TERMINALS MATERIAL: COPPER ALLOY
RJ45 CONTACT PLATING: 0.76 MICROMETER GOLD OVER 1.9 MICROMETER NICKEL
SOLDER TERMINALS: 3 MICROMETER TIN
EXCEEDS PRODUCT REQUIREMENTS BASED ON PS-85731-001
- MATING INTERFACE ACCORDING TO IEC 60603-7
- PRODUCT SPECIFICATION: PS-85731-001
- PACKAGING SPECIFICATION: PK-85731-001
- TRACES WITHOUT INSULATION NOT ALLOWED IN THE DASHED AREAS.
(TO AVOID SHORTS TO SHIELD)
- STAND OFF TO SYSTEM BOARD
- STUBBED PINS -> AVOID TO ROUTE TRACES OR TO PLACE ANY VIAS OR PADS BELOW THESE PINS
- FOR MAGNETIC AND LED INFORMATION SEE SPEC PS-85731-001

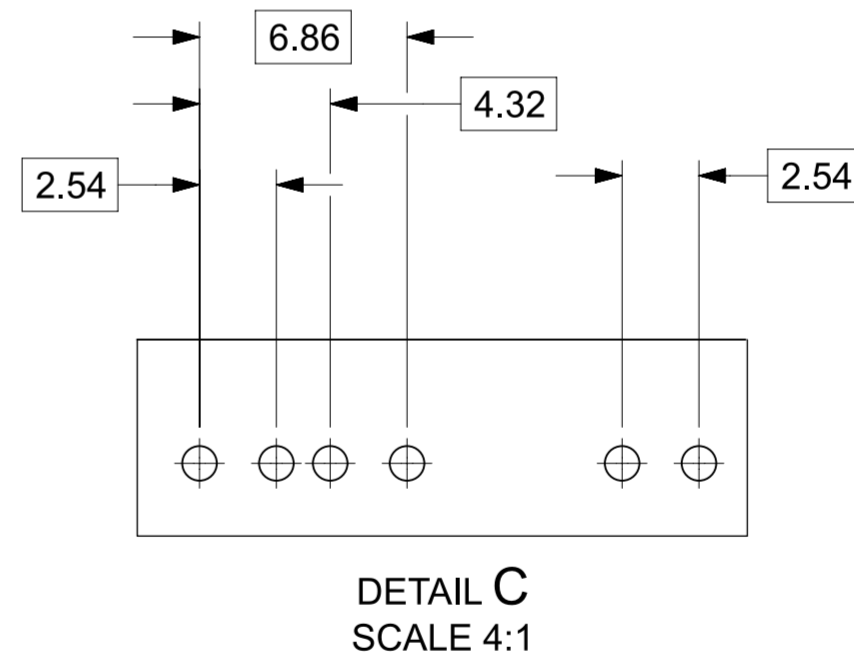
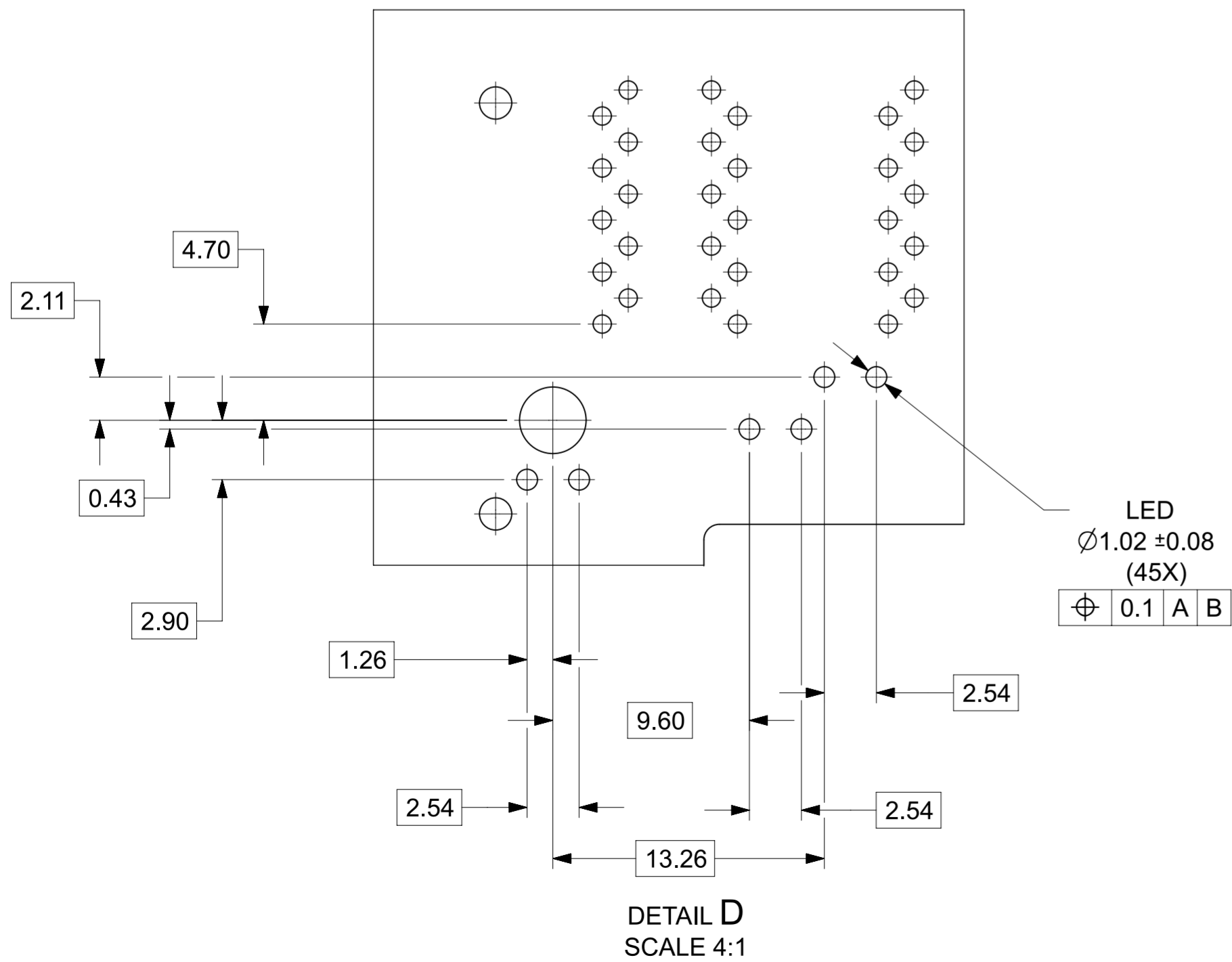
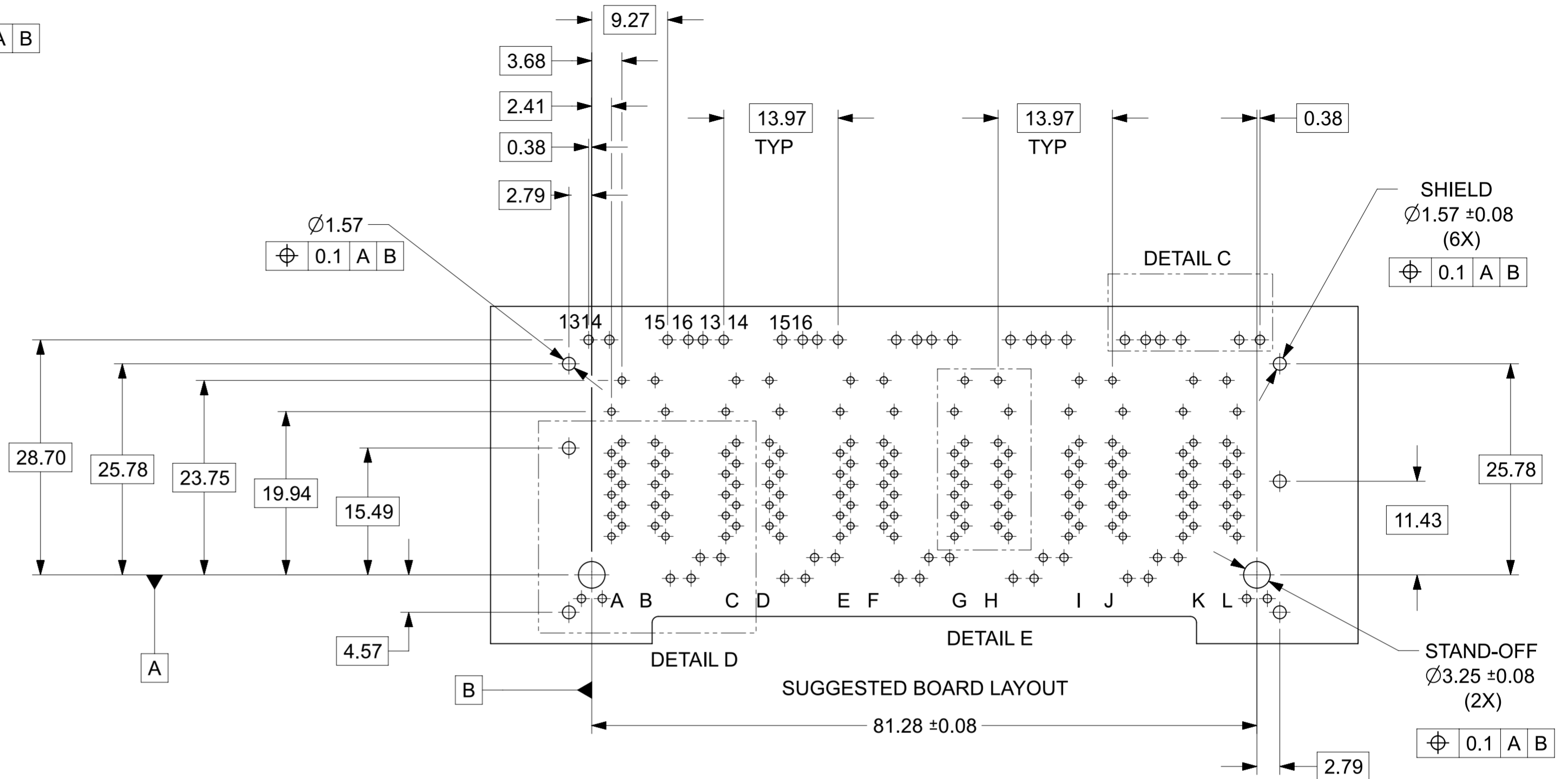
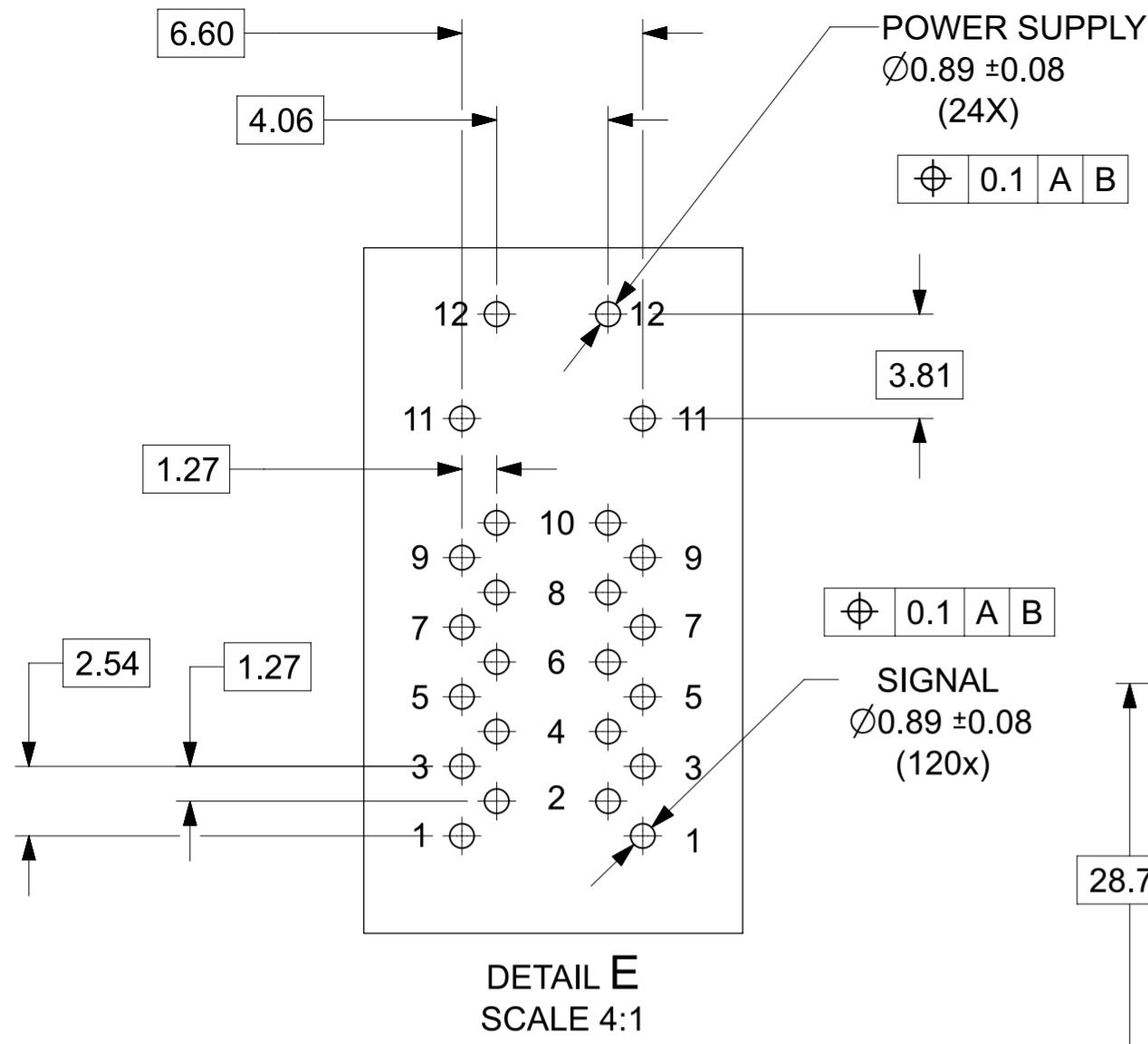
FUNCTIONAL SYMBOLS		THIS DRAWING CONTAINS INFORMATION THAT IS PROPRIETARY TO MOLEX ELECTRONIC TECHNOLOGIES, LLC AND SHOULD NOT BE USED WITHOUT WRITTEN PERMISSION		CURRENT REV DESC: REMOVED OBSOLETE PART NUMBERS AS PER PCN#512604			
$\frac{F}{A} = 0$	DIMENSION UNITS	mm	SCALE	2:1			
$\frac{F}{E} = 0$	GENERAL TOLERANCES (UNLESS SPECIFIED)			PHASE:			
$\frac{F}{F} = 0$		MM	INCH	CO NO:			
	4 PLACES	±	±	DRWN: Vishal Ramesh Hosur		2023-09-08	
	3 PLACES	±	±	CHK'D: Ganesh Rao B		2023-10-16	
	2 PLACES	± 0.250	±	APPR: Gurunandan GA		2023-10-17	
	1 PLACE	± 0.50	±	INITIAL REVISION:			
	0 PLACES	±	±	DRWN: JBADER		2010-09-28	
	ANGULAR TOL ± 0.5°			APPR: SSTEINKE		2013-01-28	
	DRAFT WHERE APPLICABLE MUST REMAIN WITHIN DIMENSIONS			THIRD ANGLE PROJECTION	DRAWING	SERIES	MATERIAL NUMBER
					A2-SIZE	85731	SEE SHEET 1
							CUSTOMER
							GENERAL MARKET
							SHEET NUMBER
							1 OF 4

molex

GIGABIT MAGNETIC JACK
POE PLUS ENABLED

PRODUCT SALES DRAWING

DOCUMENT NUMBER	DOC TYPE	DOC PART	REVISION
SD-85731-001	PSD	001	D1



FUNCTIONAL SYMBOLS	THIS DRAWING CONTAINS INFORMATION THAT IS PROPRIETARY TO MOLEX ELECTRONIC TECHNOLOGIES, LLC AND SHOULD NOT BE USED WITHOUT WRITTEN PERMISSION									
	DIMENSION UNITS		SCALE		CURRENT REV DESC: REMOVED OBSOLETE PART NUMBERS AS PER PCN#512604					
	mm		2:1		PHASE: CO NO: DRWN: Vishal Ramesh Hosur 2023-09-08 CHK'D: Ganesh Rao B 2023-10-16 APPR: Gurunandan GA 2023-10-17					
	GENERAL TOLERANCES (UNLESS SPECIFIED)									
DIVISIONAL SYMBOLS		MM		INCH		INITIAL REVISION:				
4 PLACES ±		±		±		DRWN: JBADER 2010-09-28				
3 PLACES ±		±		±		APPR: SSTEINKE 2013-01-28				
2 PLACES ± 0.250		±		±		DOCUMENT NUMBER				
1 PLACE ± 0.50		±		±		SD-85731-001				
0 PLACES ±		±		±		DOC TYPE		DOC PART		REVISION
ANGULAR TOL ± 0.5°		±		±		PSD		001		D1
DRAFT WHERE APPLICABLE MUST REMAIN WITHIN DIMENSIONS		THIRD ANGLE PROJECTION		DRAWING		SERIES		MATERIAL NUMBER		SHEET NUMBER
				A2-SIZE		85731		SEE SHEET 1		2 OF 4
				GENERAL MARKET						

molex

GIGABIT MAGNETIC JACK
POE PLUS ENABLED

PRODUCT SALES DRAWING

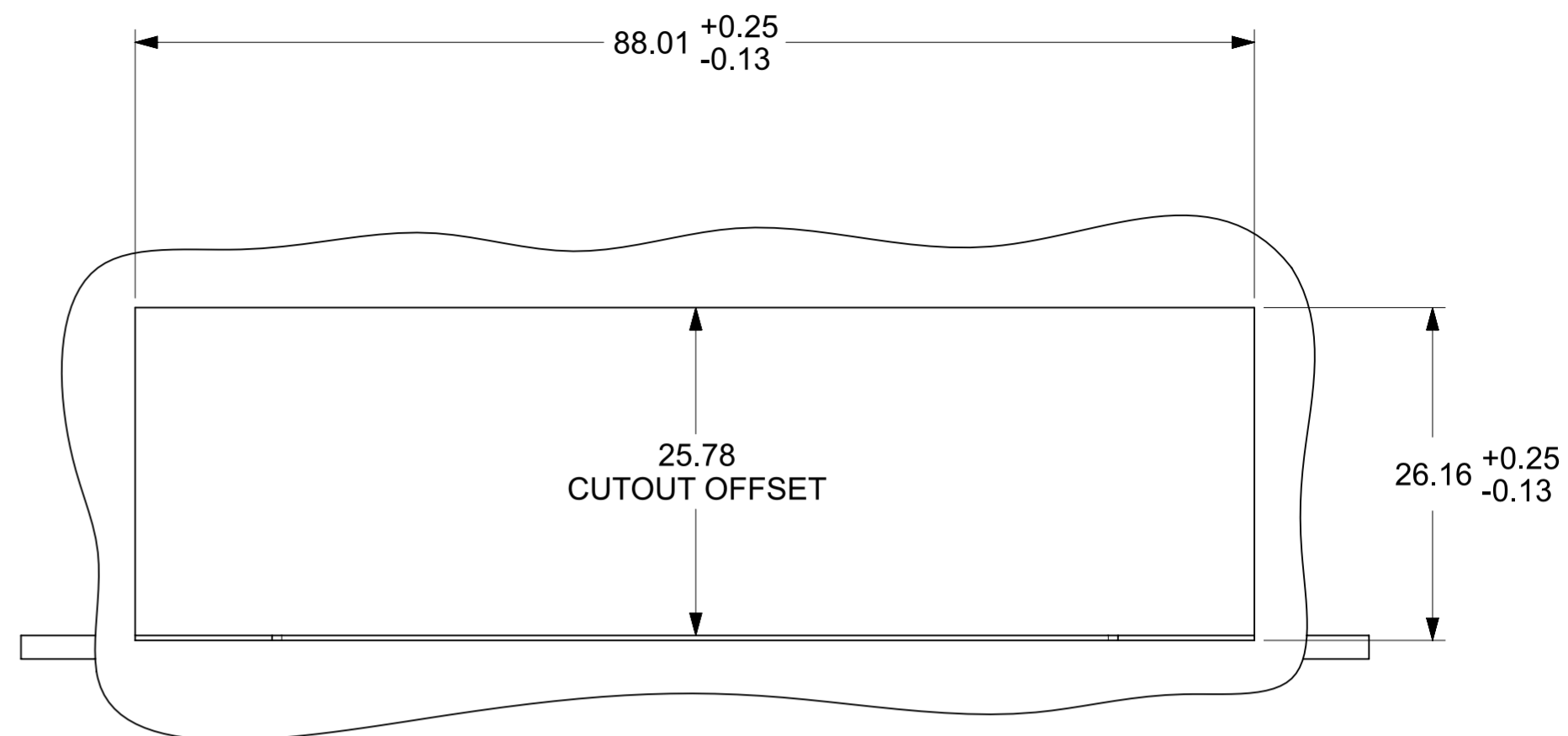
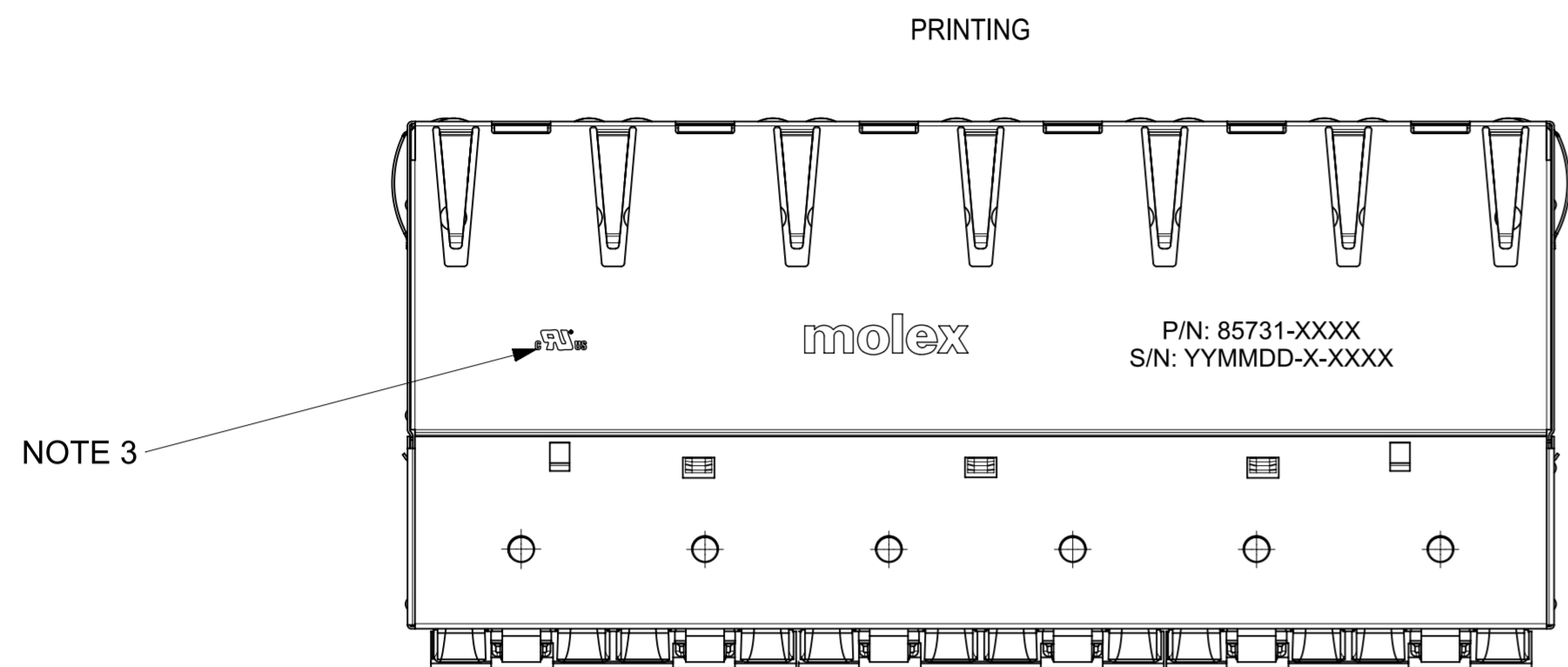
SD-85731-001

PSD 001 D1

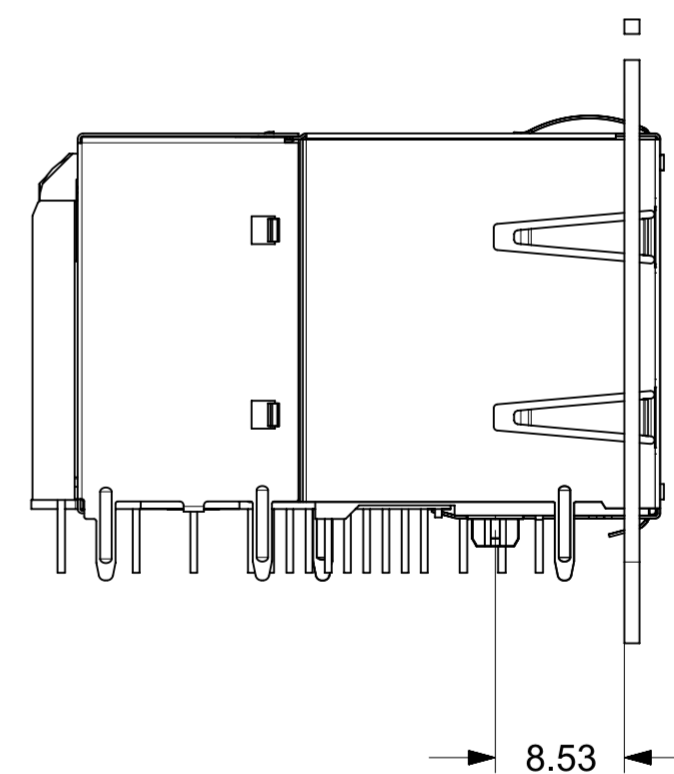
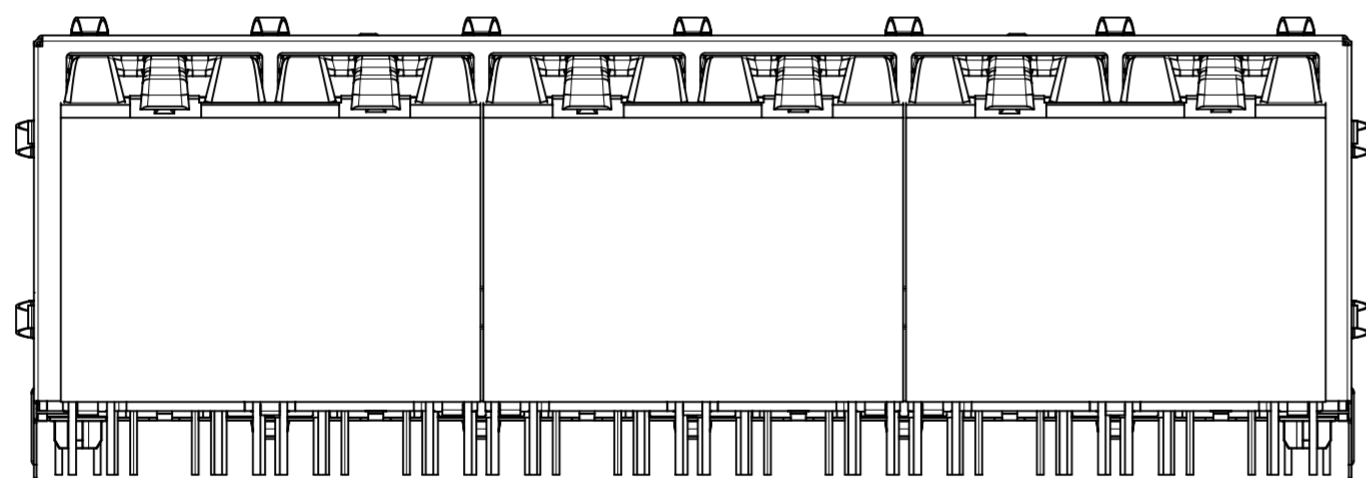
GENERAL MARKET

2 OF 4

PRINTING
 LED VERSION
 P/N: 85731-XXXX
 S/N: YYMMDD-CM-CONSECUTIVE NUMBER

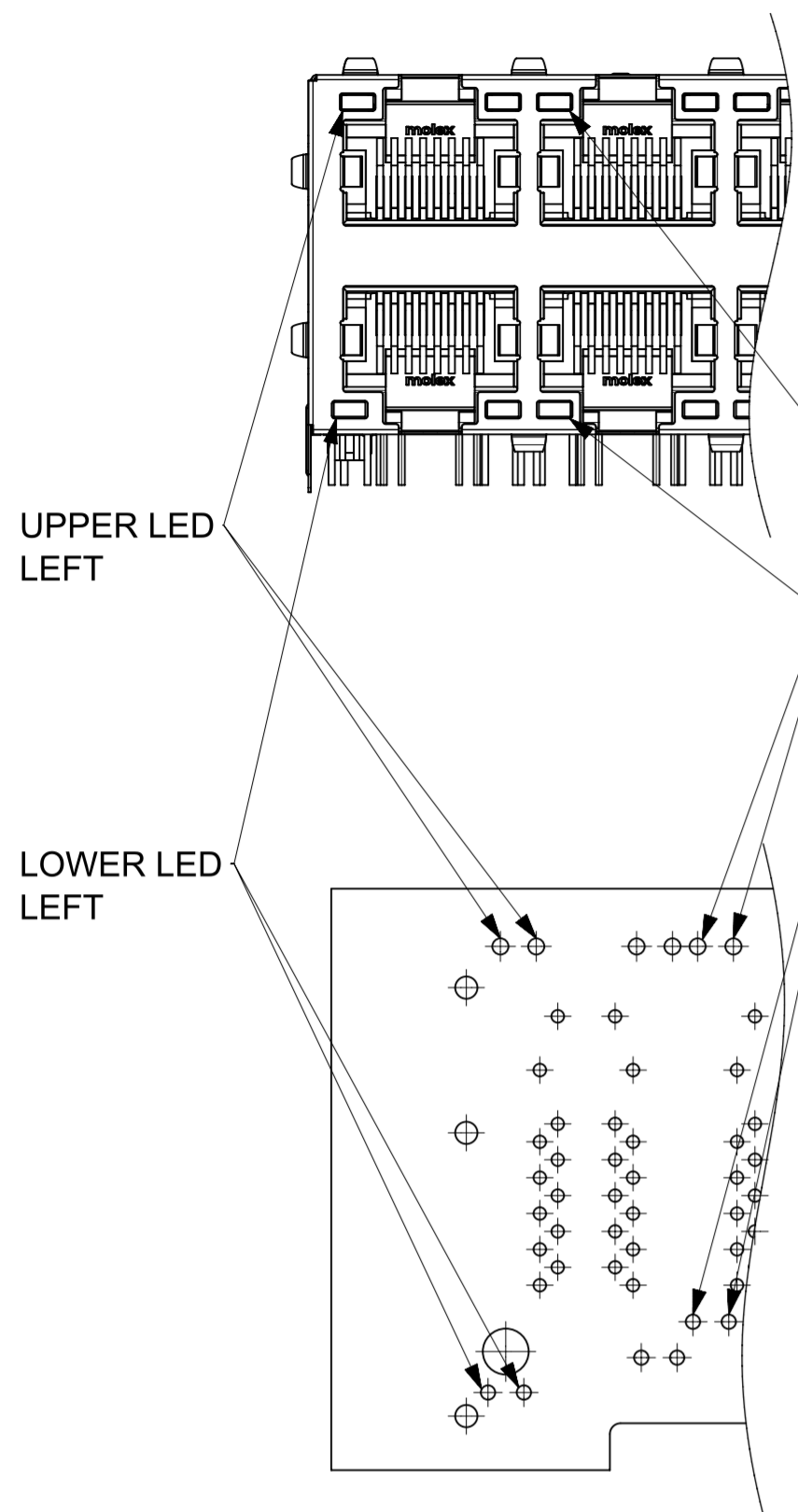


SUGGESTED PANEL CUT OUT



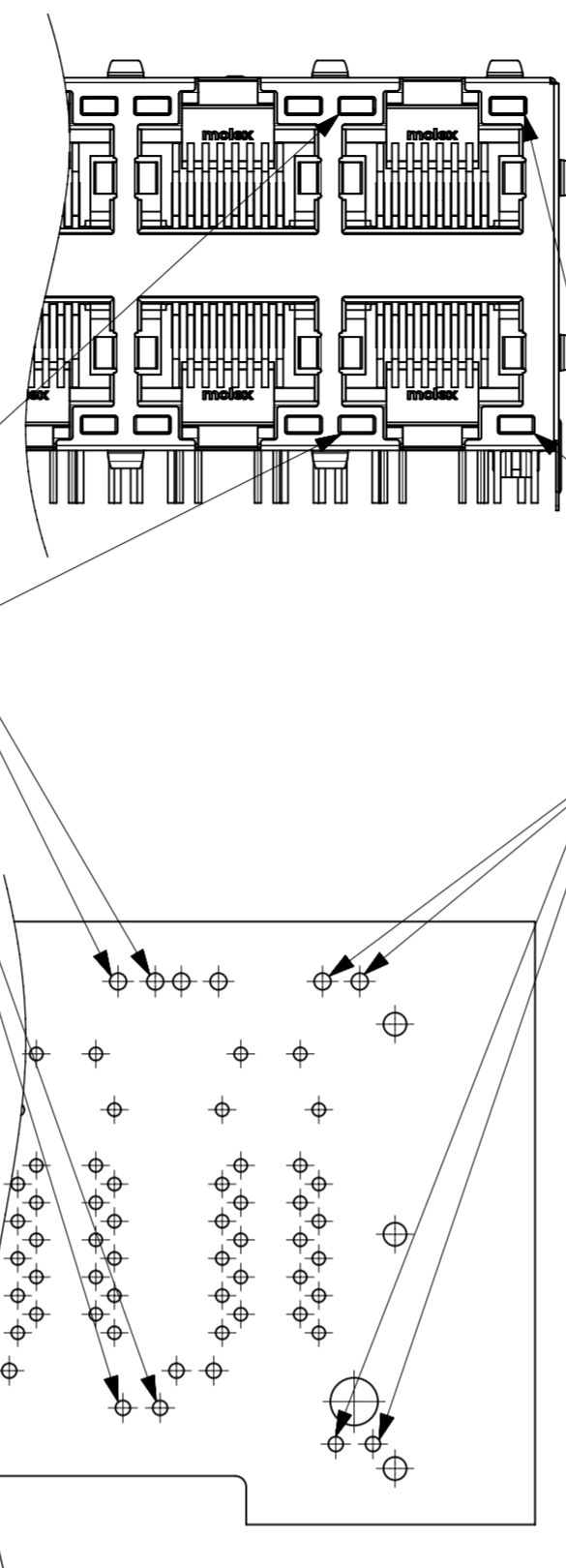
- NOTES:
 1 - PRINTING MARKED BY LASER
 2 - INSCRIPTION:
 1st LINE: PART NUMBER
 2nd LINE: DATE CODE (YEAR, MONTH, DAY) - MANUFACTURER ID - CONSECUTIVE NUMBER
 3 - UL LOGO

FUNCTIONAL SYMBOLS	THIS DRAWING CONTAINS INFORMATION THAT IS PROPRIETARY TO MOLEX ELECTRONIC TECHNOLOGIES, LLC AND SHOULD NOT BE USED WITHOUT WRITTEN PERMISSION											
	DIMENSION UNITS	SCALE		CURRENT REV DESC: REMOVED OBSOLETE PART NUMBERS AS PER PCN#512604						molex		
$\frac{F}{A} = 0$	mm	2:1		PHASE: CO NO: DRWN: Vishal Ramesh Hosur 2023-09-08 CHK'D: Ganesh Rao B 2023-10-16 APPR: Gurunandan GA 2023-10-17								
$\frac{F}{C} = 0$	GENERAL TOLERANCES (UNLESS SPECIFIED)									INITIAL REVISION: DRWN: JBADER 2010-09-28 APPR: SSTEINKE 2013-01-28		
$\frac{F}{E} = 0$		MM	INCH	PRODUCT SALES DRAWING								
DIVISIONAL SYMBOLS	4 PLACES	±	±							DOCUMENT NUMBER		
	3 PLACES	±	±	SD-85731-001								
	2 PLACES	± 0.250	±							MATERIAL NUMBER		
	1 PLACE	± 0.50	±	SEE SHEET 1								
	0 PLACES	±	±							THIRD ANGLE PROJECTION		
	DRAFT WHERE APPLICABLE MUST REMAIN WITHIN DIMENSIONS			DRAWING		SERIES	CUSTOMER		3 OF 4			
				A2-SIZE	85731							



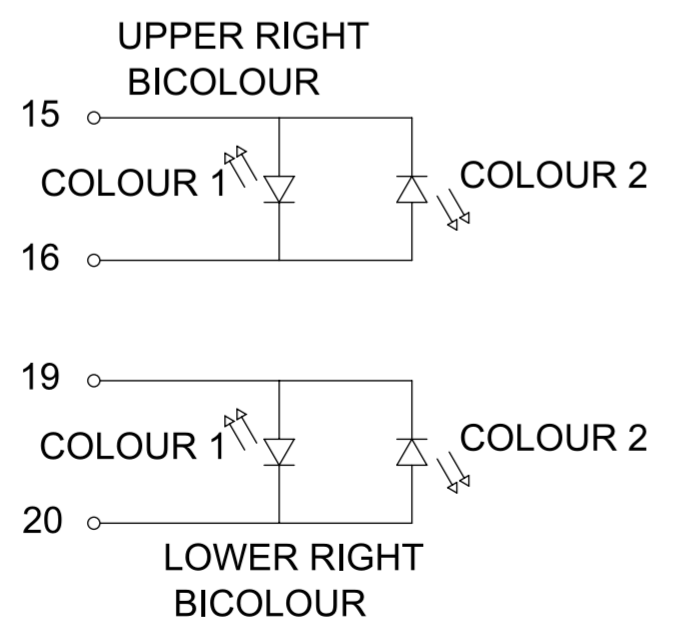
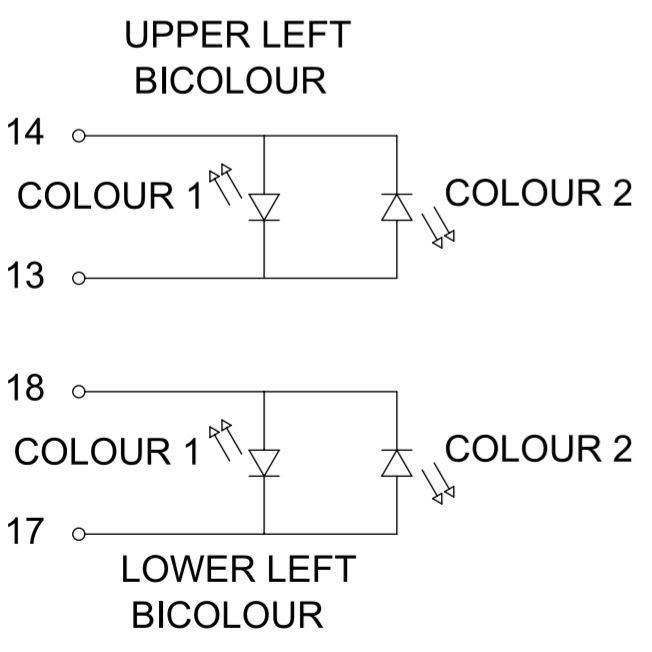
UPPER LED LEFT
LOWER LED LEFT

UPPER LED LEFT
LOWER LED LEFT



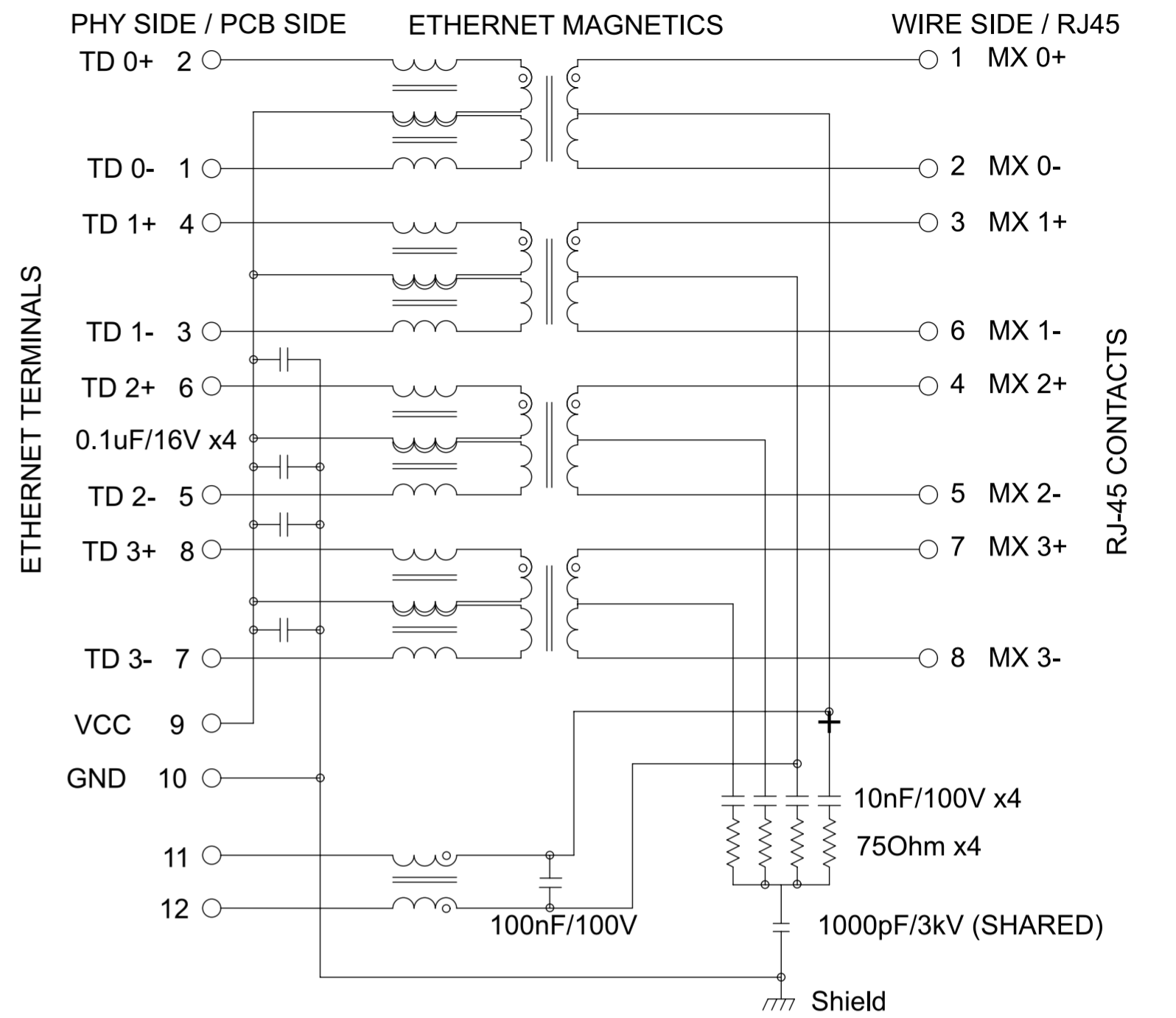
LOWER LED LEFT
LOWER LED LEFT

LOWER LED LEFT
LOWER LED LEFT



UPPER PIN POSITION	LOWER PIN POSITION	LEFT LED COLOUR 1	LEFT LED COLOUR 2
14	18	+	-
13	17	-	+

UPPER PIN POSITION	LOWER PIN POSITION	LEFT LED COLOUR 1	LEFT LED COLOUR 2
15	19	+	-
16	20	-	+



POWER-SUPPLY POLARITY DEFINITION
TO ACHIEVE PoE POWER ASSIGNMENT
ACCORDING IEEE 802.3at
ALTERNATIVE A:

	MDI-X	MDI
PIN 11	VC-	VC+
PIN 12	VC+	VC-

PIN	ETHERNET MAGNETICS
10	GND
9	Vcc
8	TD 3+
7	TD 3-
6	TD 2+
5	TD 2-
4	TD 1+
3	TD 1-
2	TD 0+
1	TD 0-
11	PWR 1-2
12	PWR 3-6

THIS DRAWING CONTAINS INFORMATION THAT IS PROPRIETARY TO MOLEX ELECTRONIC TECHNOLOGIES, LLC AND SHOULD NOT BE USED WITHOUT WRITTEN PERMISSION											
FUNCTIONAL SYMBOLS FA = 0 FC = 0 FE = 0	DIMENSION UNITS	SCALE	CURRENT REV DESC: REMOVED OBSOLETE PART NUMBERS AS PER PCN#512604								
	mm	2:1	PHASE: CO NO: DRWN: Vishal Ramesh Hosur 2023-09-08 CHK'D: Ganesh Rao B 2023-10-16 APPR: Gurunandan GA 2023-10-17								
	GENERAL TOLERANCES (UNLESS SPECIFIED)										
	4 PLACES ±		MM	INCH	INITIAL REVISION:						
3 PLACES ±				DRWN: JBADER 2010-09-28							
2 PLACES ± 0.250				APPR: SSTEINKE 2013-09-28							
1 PLACE ± 0.50				DRAWING							
0 PLACES ±				SERIES							
ANGULAR TOL ± 0.5°				MATERIAL NUMBER							
DRAFT WHERE APPLICABLE MUST REMAIN WITHIN DIMENSIONS		THIRD ANGLE PROJECTION		DRAWING		SERIES		CUSTOMER		SHEET NUMBER	
		A2-SIZE		85731		SEE SHEET 1		GENERAL MARKET		4 OF 4	

GIGABIT MAGNETIC JACK
POE PLUS ENABLED

PRODUCT SALES DRAWING

DOCUMENT NUMBER: **SD-85731-001** | DOC TYPE: PSD | DOC PART: 001 | REVISION: D1