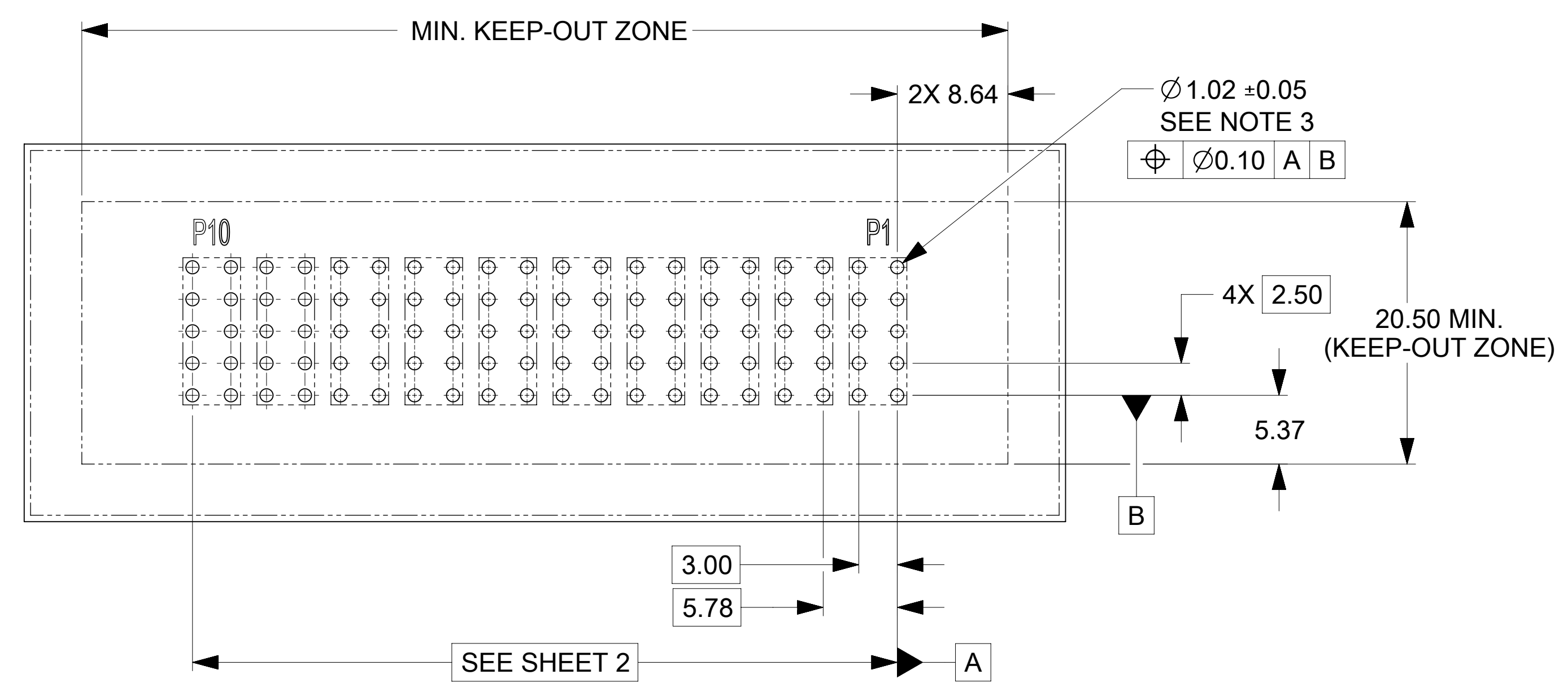


**PLUG MATED TO VERTICAL RECEPTACLE
MATED PROFILE**



- NOTES:
- MATERIAL:
 - HOUSINGS: LCP UL94, V-0, COLOR : BLACK
 - TERMINALS: HIGH CONDUCTIVITY COPPER ALLOY
 - PLATING: 1.27 µm (50 µin) NICKEL OVERALL WITH
2.54 µm (100 µin) SELECTIVE TIN ON TAILS AND
0.762 µm (30 µin) SELECTIVE GOLD ON CONTACT AREA
 - PACKAGING: ASSEMBLIES TO BE TRAY PACKED PER PACKAGING SPEC: 2141140001-PK.
 - PLATED THRU HOLE SIZE, REFER TO PRODUCT SPEC. FOR DETAILS.
 - PRODUCT SPEC: 2141130000-PS.
 - PRODUCT TO MEET RoHS REQUIREMENTS.
 - VERTICAL ASSEMBLY MATES TO MOLEX PLUG 219562XXXX-SD, SEE DRAWING FOR DETAILS.
 - TAIL DESIGN: COMPLIANT PIN.
 - POWER TERMINALS ARE LUBRICATED.
 - APPLICATION SPECIFICATION: 2141130000-AS (FOR COMPLIANT TAILS ONLY).

RECOMMENDED PCB LAYOUT AND KEEP-OUT ZONE

THIS DRAWING CONTAINS INFORMATION THAT IS PROPRIETARY TO MOLEX ELECTRONIC TECHNOLOGIES, LLC AND SHOULD NOT BE USED WITHOUT WRITTEN PERMISSION											
DIMENSION UNITS		SCALE		CURRENT REV DESC:							
mm		3:1									
GENERAL TOLERANCES (UNLESS SPECIFIED)											
ANGULAR TOL ± °											
4 PLACES		±		EC NO: 745288							
3 PLACES		±		DRWN: LZABJANOVSKI		2023/03/23					
2 PLACES		± 0.25		CHK'D: JAYK1		2023/04/10					
1 PLACE		± 0.3		APPR: JAYK1		2023/04/10					
0 PLACES		±		INITIAL REVISION:							
				DRWN: LZABJANOVSKI		2022/03/30					
				APPR: BPISZCZOR		2022/08/04					
DRAFT WHERE APPLICABLE MUST REMAIN WITHIN DIMENSIONS				THIRD ANGLE PROJECTION		DRAWING		SERIES		MATERIAL NUMBER	
				D-SIZE		219563		SEE CHART		CUSTOMER	
										SHEET NUMBER	
										1 OF 2	



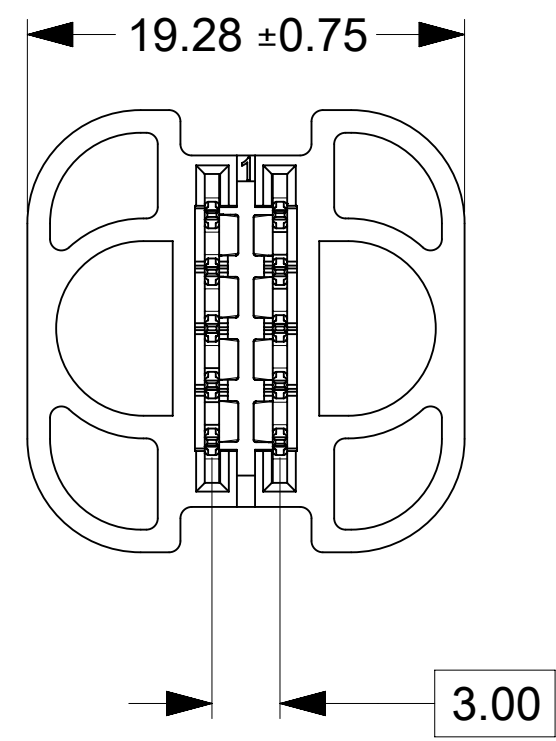
GUARDIAN HD VREC POWER ONLY PF

PRODUCT CUSTOMER DRAWING

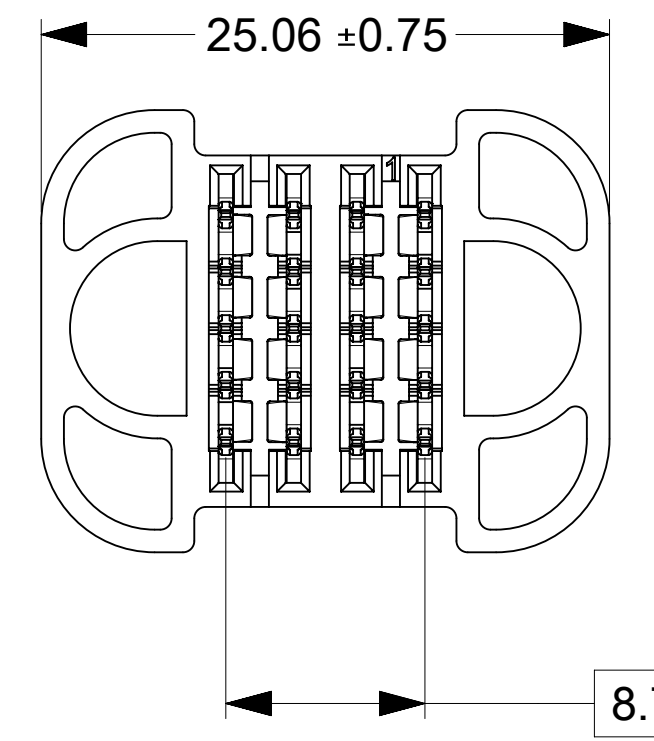
DOCUMENT NUMBER	DOC TYPE	DOC PART	REVISION
2195639000-SD	PSD	000	A2

DOCUMENT STATUS	P1	RELEASE DATE	2023/04/11	17:05:26
-----------------	----	--------------	------------	----------

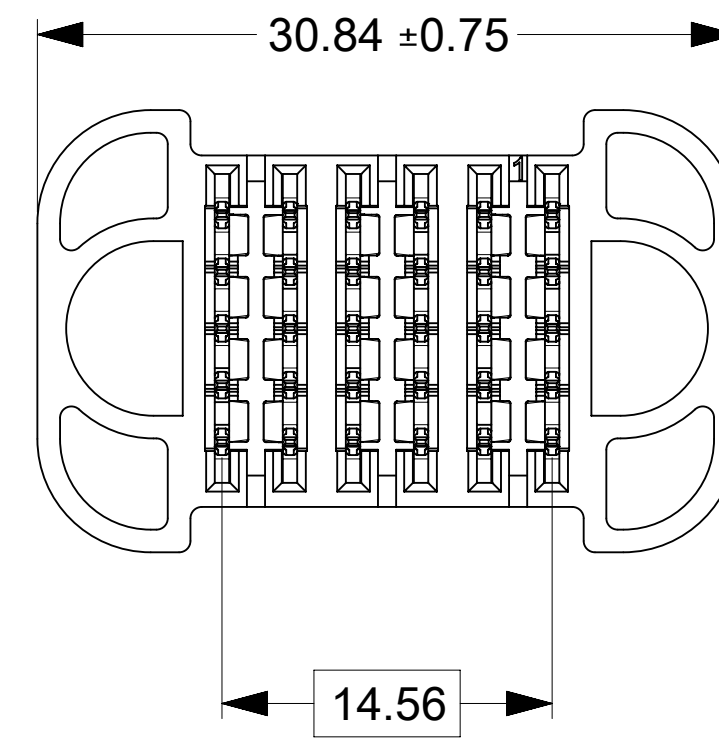
PART NUMBER	CONFIGURATION	QUANTITY PER CARTON (DU)
219563-0001	G+1P+G	280



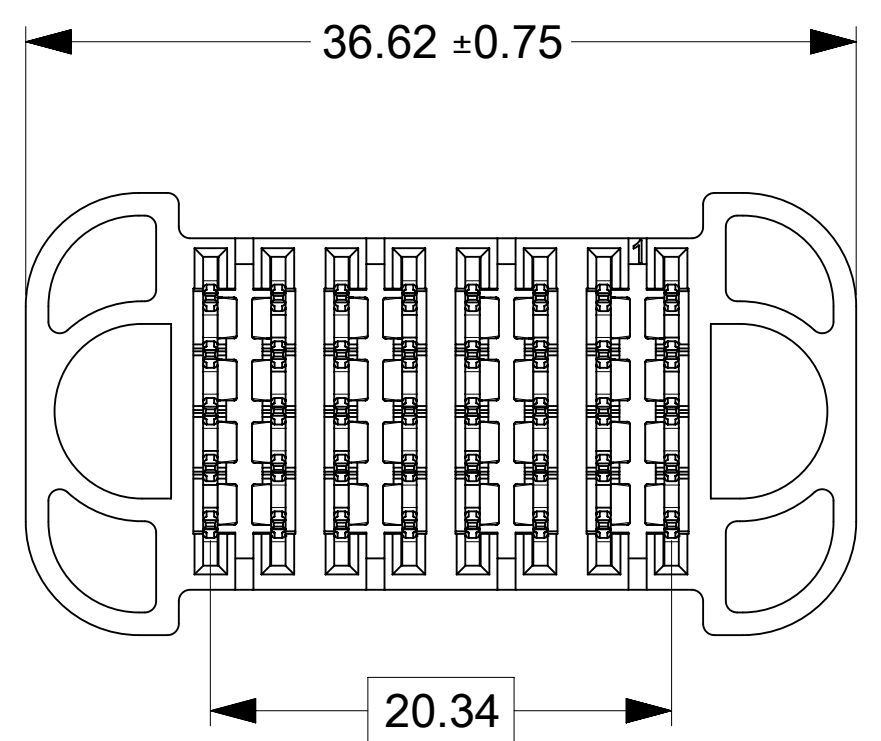
PART NUMBER	CONFIGURATION	QUANTITY PER CARTON (DU)
219563-0002	G+2P+G	220



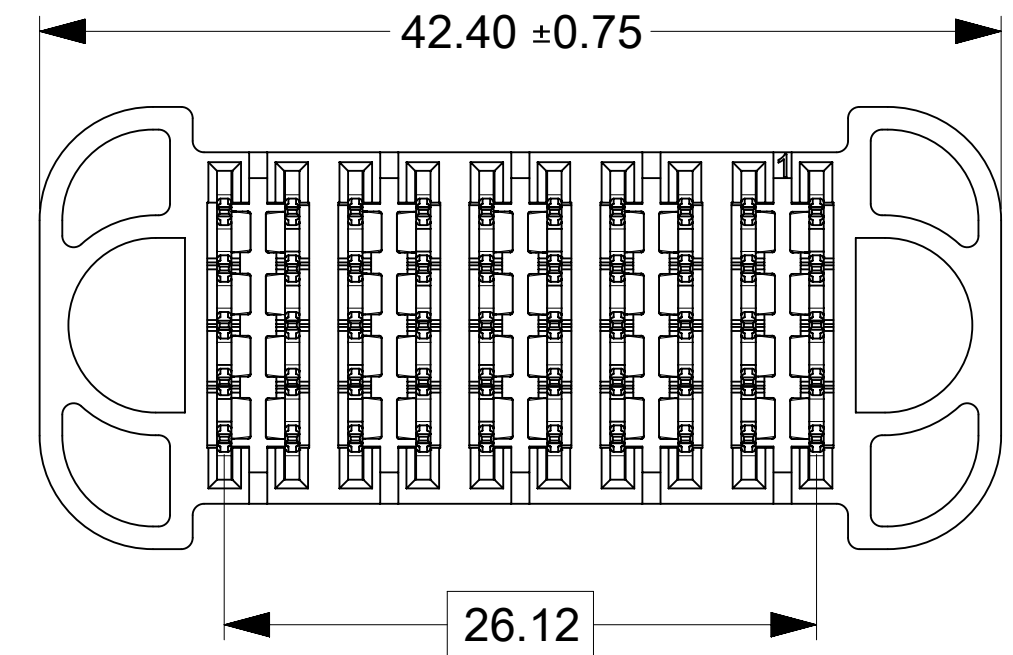
PART NUMBER	CONFIGURATION	QUANTITY PER CARTON (DU)
219563-0003	G+3P+G	180



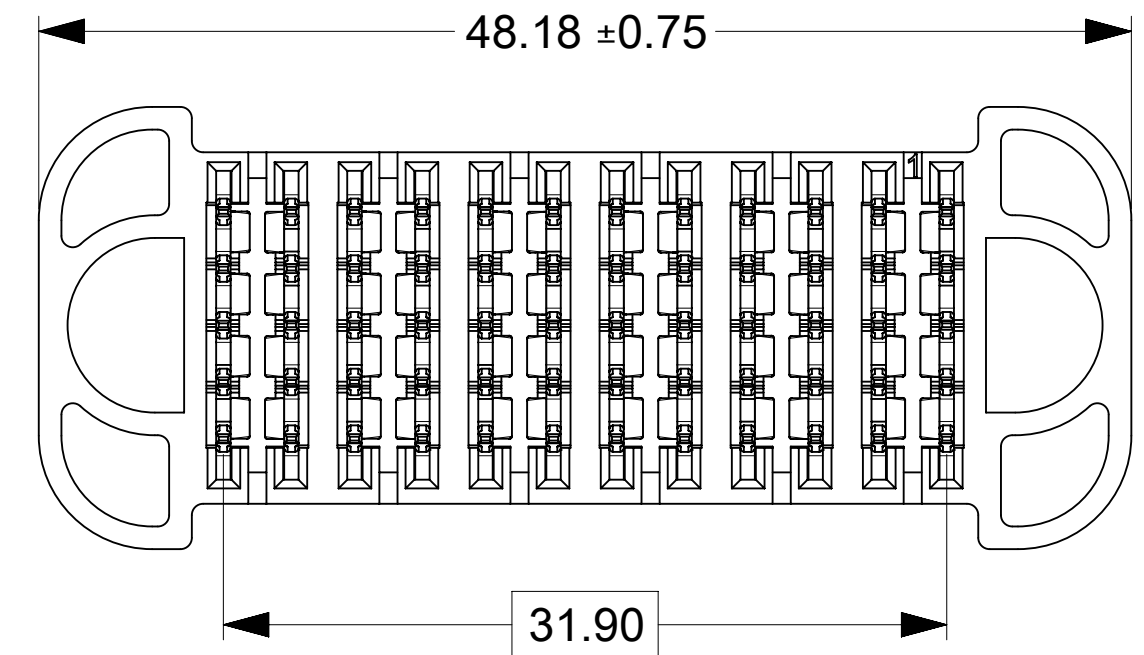
PART NUMBER	CONFIGURATION	QUANTITY PER CARTON (DU)
219563-0004	G+4P+G	140



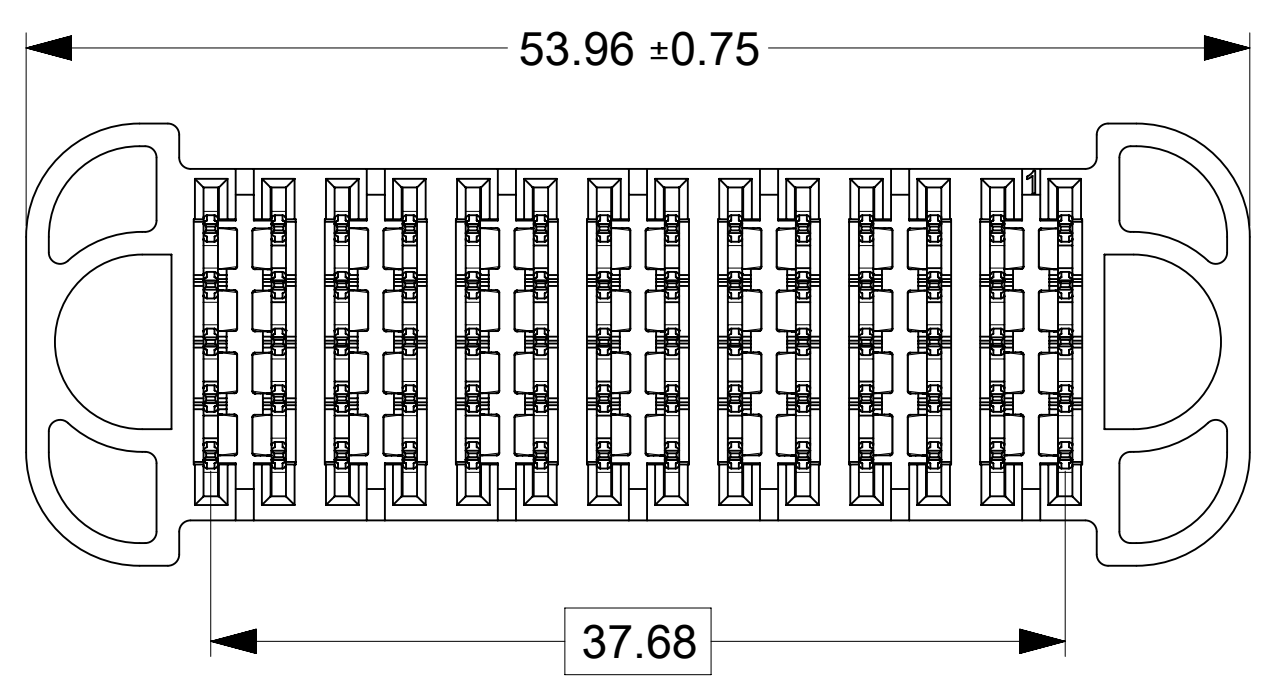
PART NUMBER	CONFIGURATION	QUANTITY PER CARTON (DU)
219563-0005	G+5P+G	120



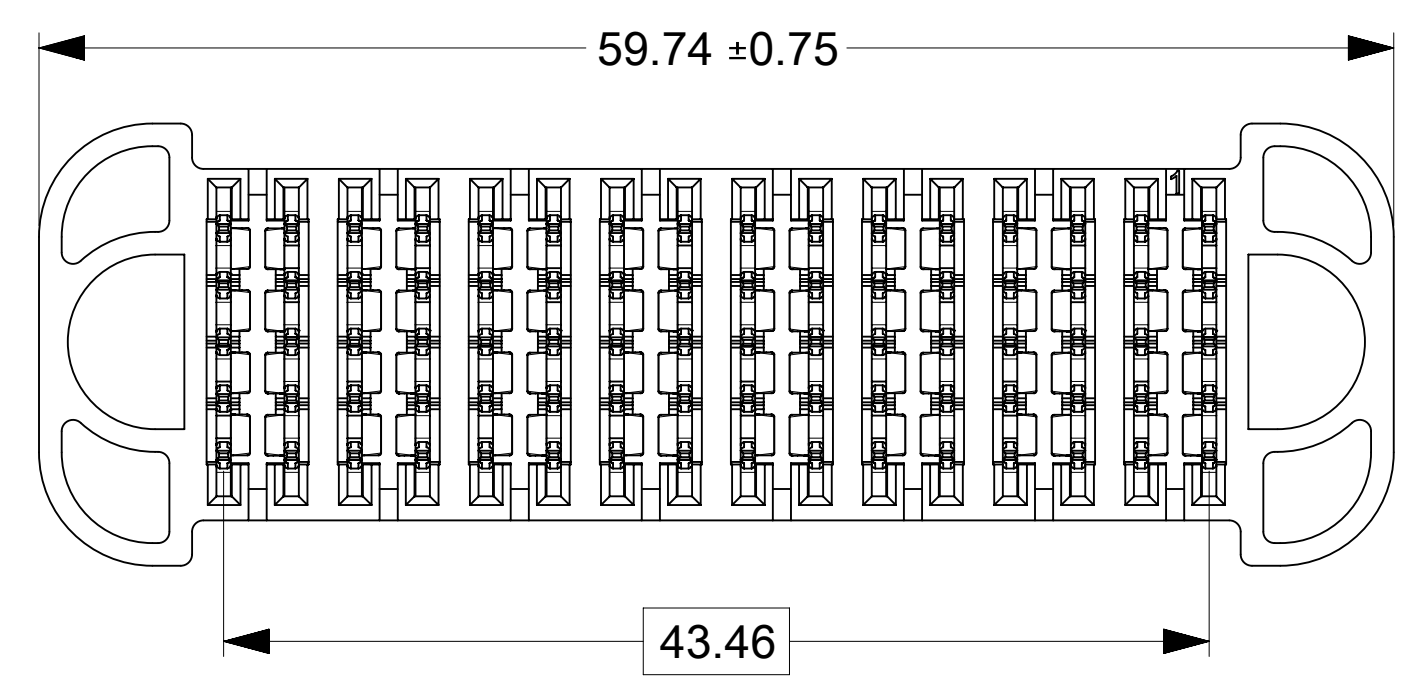
PART NUMBER	CONFIGURATION	QUANTITY PER CARTON (DU)
219563-0006	G+6P+G	100



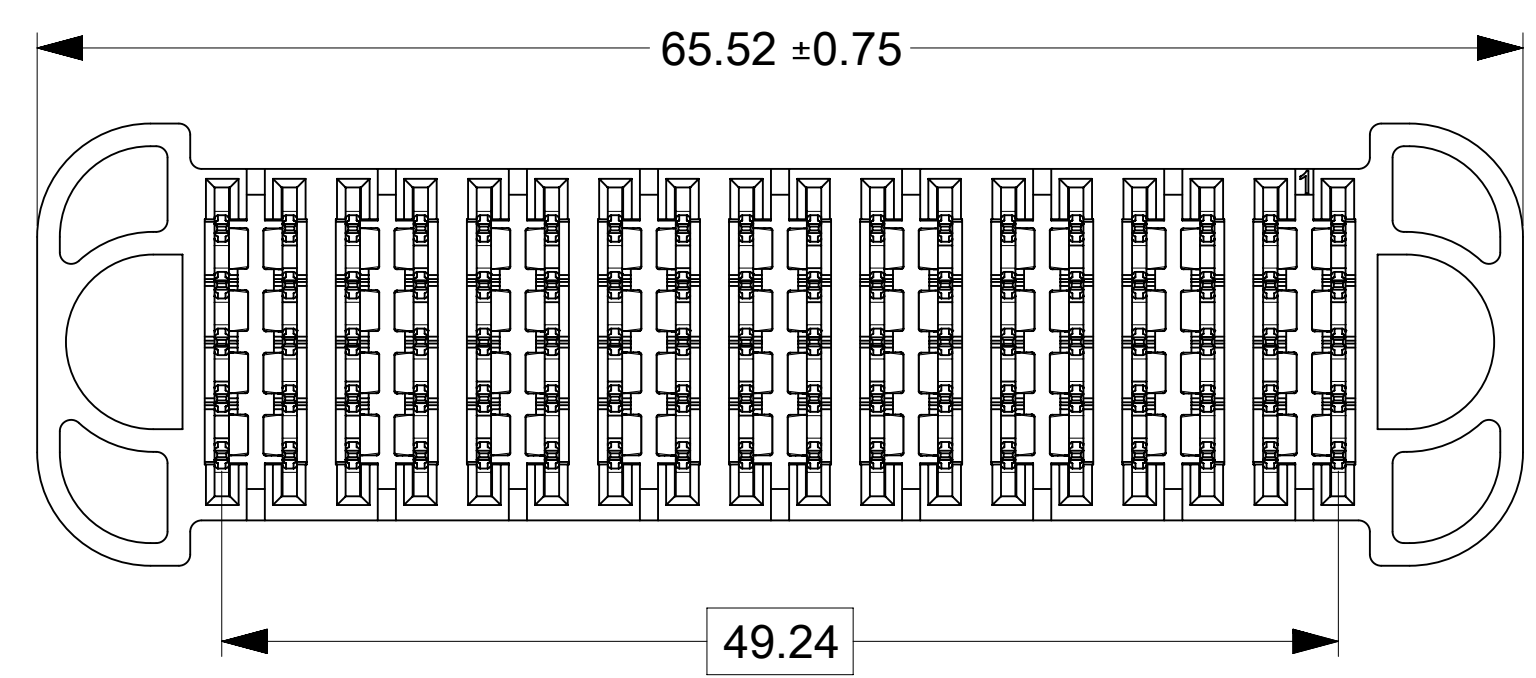
PART NUMBER	CONFIGURATION	QUANTITY PER CARTON (DU)
219563-0007	G+7P+G	100



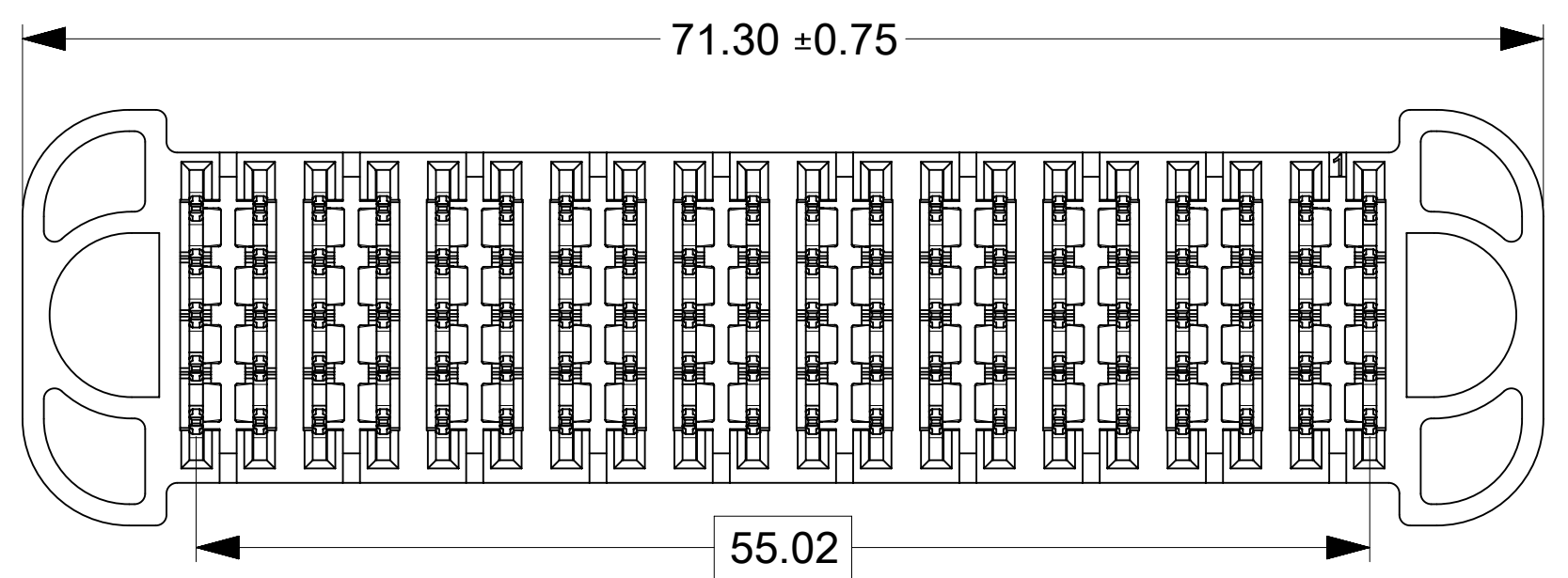
PART NUMBER	CONFIGURATION	QUANTITY PER CARTON (DU)
219563-0008	G+8P+G	80



PART NUMBER	CONFIGURATION	QUANTITY PER CARTON (DU)
219563-0009	G+9P+G	80



PART NUMBER	CONFIGURATION	QUANTITY PER CARTON (DU)
219563-0010	G+10P+G	60



*** VIEWS SHOWN ON THIS SHEET ARE FROM THE BOTTOM OF THE CONNECTOR**

THIS DRAWING CONTAINS INFORMATION THAT IS PROPRIETARY TO MOLEX ELECTRONIC TECHNOLOGIES, LLC AND SHOULD NOT BE USED WITHOUT WRITTEN PERMISSION											
DIMENSION UNITS		SCALE		CURRENT REV DESC:							
mm		3:1									
GENERAL TOLERANCES (UNLESS SPECIFIED)											
ANGULAR TOL ± °											
4 PLACES		±		EC NO: 745288							
3 PLACES		±		DRWN: LZABJANOVSKI		2023/03/23					
2 PLACES		± 0.25		CHK'D: JAYK1		2023/04/10					
1 PLACE		± 0.3		APPR: JAYK1		2023/04/10					
0 PLACES		±		INITIAL REVISION:							
				DRWN: LZABJANOVSKI		2022/03/30					
				APPR: BPISZCZOR		2022/08/04					
DRAFT WHERE APPLICABLE MUST REMAIN WITHIN DIMENSIONS				THIRD ANGLE PROJECTION		DRAWING		SERIES		MATERIAL NUMBER	
						D-SIZE		219563		SEE CHART	
										CUSTOMER	
										SHEET NUMBER	
										2 OF 2	

molex

GUARDIAN HD VREC POWER ONLY PF

PRODUCT CUSTOMER DRAWING

DOCUMENT NUMBER	DOC TYPE	DOC PART	REVISION
2195639000-SD	PSD	000	A2