



### ORDERING INFORMATION

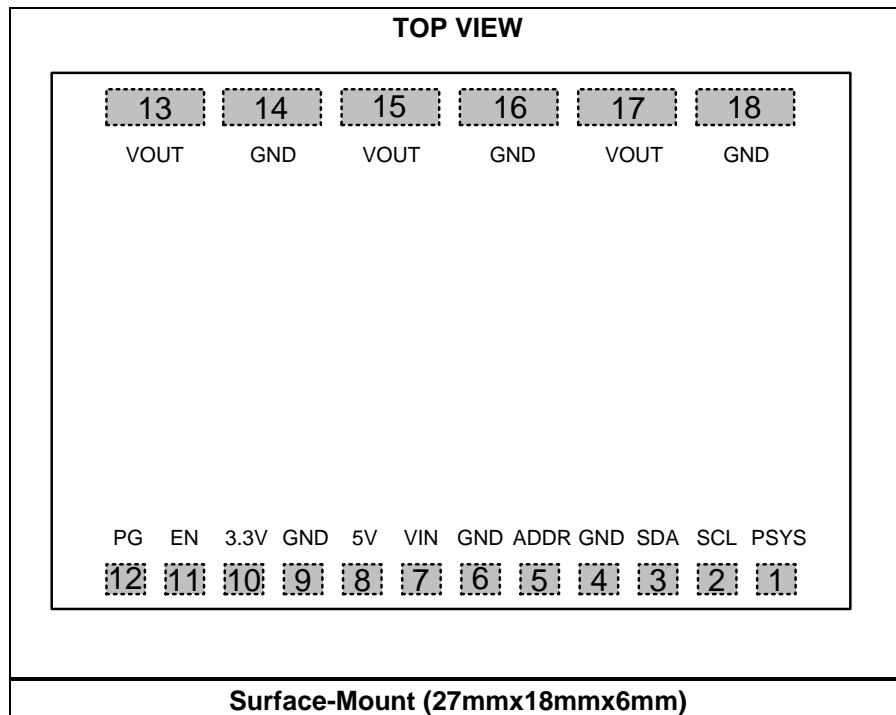
Part Number*	Package	Top Marking	MSL Rating
MPC1100A-54-0000	Surface-Mount	MPC1100A-54	3

\*For Tape & Reel, add suffix -Z (e.g. MPC1100A-54-0000-Z).

### TOP MARKING

Date code  
 Vendor's serial number  
 LOT ID  
 MPC1100A-54

### PACKAGE REFERENCE



## PIN FUNCTIONS

Pin #	Name	I/O	Description
1	PSYS	A[O]	<b>Output power indicator.</b> Current-source output. Connect a resistor from PSYS to GND to convert this current to a voltage signal.
2	SCL	D[I/O]	<b>PMBus/I<sup>2</sup>C clock signal.</b>
3	SDA	D[I]	<b>PMBus/I<sup>2</sup>C data signal.</b>
5	ADDR	A[I]	<b>PMBus/I<sup>2</sup>C address 4-LSB pin setting.</b>
7	VIN	Power	<b>Input main power supply.</b>
8	5V	Power	<b>5V power supply input.</b> 5V is the power supply for the primary-side driver. Connect a 1μF capacitor from 5V to ground.
10	3.3V	Power	<b>3.3V power supply input.</b> 3.3V is the power supply for the controller (MP2981) and synchronous rectifier (MP8500). Connect a 4.7μF capacitor from 3.3V to ground.
11	EN	D[I]	<b>Enable control.</b>
12	PG	D[O]	<b>Power good output.</b> The output of PG is an open-drain signal.
13, 15, 17	VOUT	Power	<b>Secondary-side power output.</b>
4, 6, 9, 14, 16, 18	GND	Power	<b>Power ground.</b>

### ABSOLUTE MAXIMUM RATINGS <sup>(1)</sup>

Supply voltage ( $V_{IN}$ )	-0.3V to +80V
Aux voltage ( $V_{CC33}$ )	-0.3V to +4.0V
Aux voltage ( $V_{CC5V}$ )	-0.3V to +6.5V
Address pin (ADDR)	-0.3V to +2.0V
Output voltage ( $V_{OUT}$ )	-0.3V to +7.0V
All other pins	-0.3V to $V_{CC33} + 0.3V$
Junction temperature	150°C
Lead temperature	260°C

### Recommended Operating Conditions <sup>(2)</sup>

Supply voltage ( $V_{IN}$ )	40V to 60V
Aux voltage ( $V_{CC33}$ )	3.15V to 3.45V
Aux voltage ( $V_{CC5V}$ )	4.5V to 5.5V
Operating junction temp ( $T_J$ )	-40°C to +125°C

#### Notes:

- 1) Exceeding these ratings may damage the device.
- 2) The device is not guaranteed to function outside of its operating conditions.

## ELECTRICAL CHARACTERISTICS

$V_{CC33} = 3.3V$ ,  $V_{CC5V} = 5V$ ,  $V_{IN} = 54V$ ,  $f_{SW} = 813kHz$ , current going into the pin is positive, typical values are at  $T_A = 25^{\circ}C$ , unless otherwise noted.

Parameter	Symbol	Condition	Min	Typ	Max	Units
<b>Input</b>						
Input voltage	$V_{IN}$		40	54	59.5	V
Input current ( $V_{IN}$ quiescent current)	$I_{VIN\_Q}$	Disabled, $V_{IN} = 54V$ , EN low, $V_{CC33} = 3.3V$ , $V_{CC5V} = 5V$			200	$\mu A$
Input current at no load	$I_{VIN\_NO\_LOAD}$	Enabled, $V_{IN} = 54V$ , EN high, $V_{CC33} = 3.3V$ , $V_{CC5V} = 5V$		28		mA
<b>Auxiliary 3.3V Supply</b>						
Supply voltage	$V_{CC33}$		3.15	3.3	3.45	V
Supply current ( $V_{CC33}$ quiescent current)	$I_{VCC33\_Q}$	Disabled, $V_{IN} = 54V$ , EN low, $V_{CC33} = 3.3V$ , $V_{CC5V} = 5V$		35		mA
Supply current at no load	$I_{VCC33\_NO\_LOAD}$	Enabled, $V_{IN} = 54V$ , EN high, $V_{CC33} = 3.3V$ , $V_{CC5V} = 5V$		142		mA
<b>Auxiliary 5V Supply</b>						
Supply voltage	$V_{CC5V}$		4.5	5	5.5	V
Supply current ( $V_{CC5V}$ quiescent current)	$I_{VCC5V\_Q}$	Disabled, $V_{IN} = 54V$ , EN low, $V_{CC33} = 3.3V$ , $V_{CC5V} = 5V$			280	$\mu A$
Supply current at no-load	$I_{VCC5V\_NO\_LOAD}$	Enabled, $V_{IN} = 54V$ , EN high, $V_{CC33} = 3.3V$ , $V_{CC5V} = 5V$		26		mA
<b>Output</b>						
Transformer ratio	K	Primary side to secondary side, $V_{IN} = 54V$ , $I_{OUT} = 0A$ , $K = V_{OUT} / V_{IN}$		1/10		
Continuous output current <sup>(3)</sup>	$I_{OUT\_DC}$	$V_{IN} = 54V$ , $T_A = 25^{\circ}C$		47		A
Output current pulse <sup>(3)</sup>	$I_{OUT\_DC\_PULSE}$	500 $\mu s$ pulse, $40V < V_{IN} < 59.5V$	90			A
Output resistance <sup>(3)</sup>	$R_{LL}$	$V_{IN} = 54V$ , $I_{OUT} = 15A$		3		m $\Omega$
Switching frequency	$f_{SW}$	PMBus/I <sup>2</sup> C reading $t_{ON}$ , $V_{IN}$ , $I_{OUT} = 1A$		813		kHz
Ambient efficiency	$\eta$	$V_{IN} = 54V$ , $I_{OUT} = 7.5A$ , $T_A = 25^{\circ}C$		94		%
<b>Protections</b>						
Input voltage under-voltage lockout (UVLO)	$V_{IN\_UVLO}$	$I_{OUT} = 0A$	35.5	37	39.5	V
Input voltage over-voltage protection (OVP)	$V_{IN\_OVP}$	Latch mode, $I_{OUT} = 0A$	60	63	66	V
Output voltage UVP	$V_{OUT\_UVP}$	Latch mode, $I_{OUT} = 0A$		3.0		V
Output voltage OVP	$V_{OUT\_OVP}$	Latch mode, $I_{OUT} = 0A$		7.2		V
Output current over-current protection (OCP) <sup>(3)</sup>	$I_{OUT\_OC}$	Latch mode			140	A
Over-temperature (OT) shutdown threshold <sup>(3)</sup>	$T_{OTP}$			130		$^{\circ}C$
OT recovery hysteresis <sup>(3)</sup>	$T_{OTP\_HYS}$			30		$^{\circ}C$
Protection recovery delay time <sup>(3)</sup>	$t_{PRO\_DELAY}$				12.7	ms

**ELECTRICAL CHARACTERISTICS (continued)**

$V_{CC33} = 3.3V$ ,  $V_{CC5V} = 5V$ ,  $V_{IN} = 54V$ ,  $f_{SW} = 813kHz$ , current going into the pin is positive, typical values are at  $T_A = 25^{\circ}C$ , unless otherwise noted.

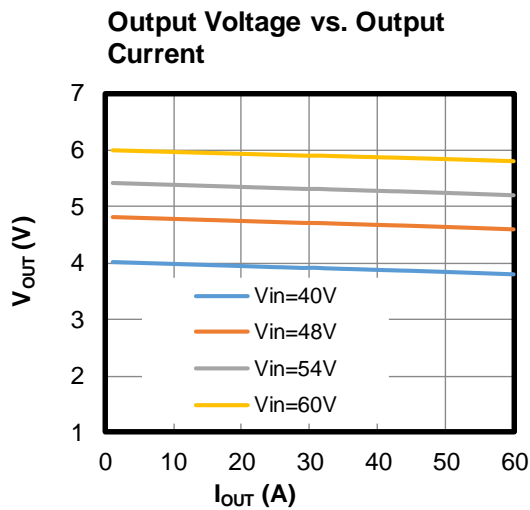
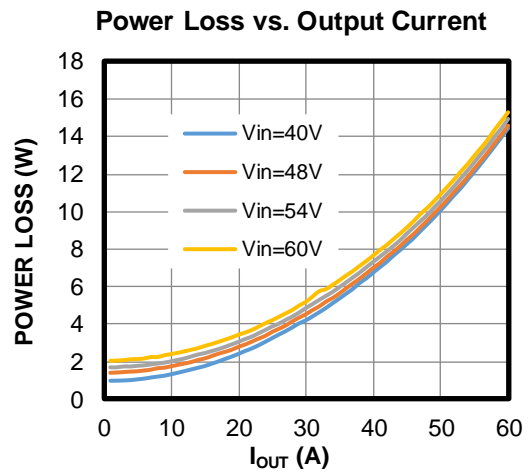
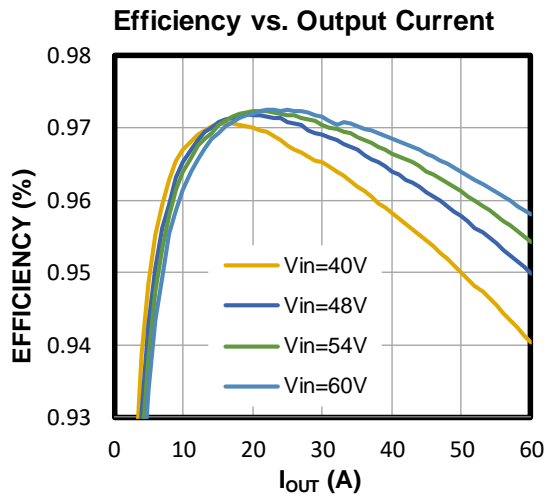
Parameter	Symbol	Condition	Min	Typ	Max	Units
<b>EN</b>						
Low-voltage input	$V_{IL(EN)}$				0.4	V
High-voltage input	$V_{IH(EN)}$		0.8			V
Enable high leakage	$I_{IH(EN)}$			3	8	$\mu A$
Enable delay <sup>(3)</sup>	$t_A$	EN high to soft start begins, $V_{OUT} = 10\%$		0.8	1	ms
<b>PSYS</b>						
PSYS output voltage <sup>(3)</sup>	$V_{PSYS}$	$V_{IN} = 54V$ , $I_{OUT} = 47A$ , $R_{SYS} = 20k\Omega$		0.634		V
<b>PG Output</b>						
PG low voltage		$I_{PG} = 20mA$		0.1		V
PG high leakage current	$I_{LPG}$	$V_{PG} = 3.3V$	-3		+3	$\mu A$
<b>PMBus/I<sup>2</sup>C DC Characteristics</b>						
High-voltage input <sup>(3)</sup>	$V_{IH}$	SCL, SDA	1.35			V
Low-voltage input <sup>(3)</sup>	$V_{IL}$	SCL, SDA			0.8	V
Input leakage current		SCL, SDA, ALT#	-10		+10	$\mu A$
Pin capacitance <sup>(3)</sup>	$C_{PIN}$				10	pF
<b>PMBus/I<sup>2</sup>C Timing Characteristics <sup>(3) (4)</sup></b>						
Operating frequency range	$f_{PMB}$		10		1000	kHz
Bus free time	$t_{BUF}$	Between stop and start condition	0.5			$\mu s$
Holding time	$t_{HD\_STA}$		0.26			$\mu s$
Repeated start condition set-up time	$t_{SU\_STA}$		0.26			$\mu s$
Stop condition set-up time	$t_{SU\_STO}$		0.26			$\mu s$
Data hold time	$t_{HD\_DAT}$		10			ns
Data set-up time	$t_{SU\_DAT}$		50			ns
Clock low timeout	$t_{TIMEOUT}$		25		35	ms
Clock low period	$t_{LOW}$		0.5			$\mu s$
Clock high period	$t_{HIGH}$		0.26		50	$\mu s$
Clock/data falling time	$t_F$				120	ns
Clock/data rising time	$t_R$				120	ns

**Notes:**

- 3) Guaranteed by design or characterization data. Not tested in production.
- 4) The device supports 100kHz, 400kHz, and 1MHz bus speeds. The PMBus/I<sup>2</sup>C timing parameters in this table are for operation at 400kHz and 1MHz. If the PMBus/I<sup>2</sup>C operating frequency is 100kHz, refer to SMBus specifications for the timing parameters

## TYPICAL PERFORMANCE CHARACTERISTICS

T<sub>A</sub> = 25°C, unless otherwise noted.

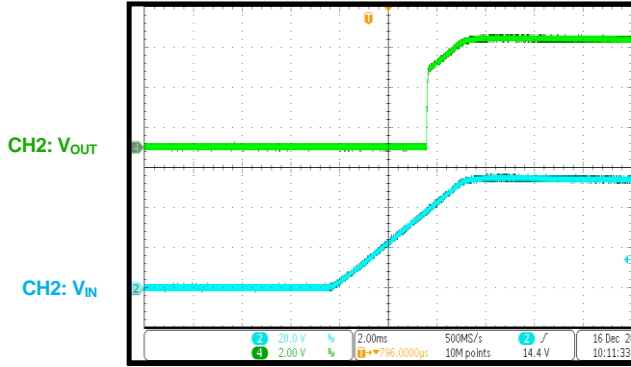


## TYPICAL PERFORMANCE CHARACTERISTICS (continued)

T<sub>A</sub> = 25°C, unless otherwise noted.

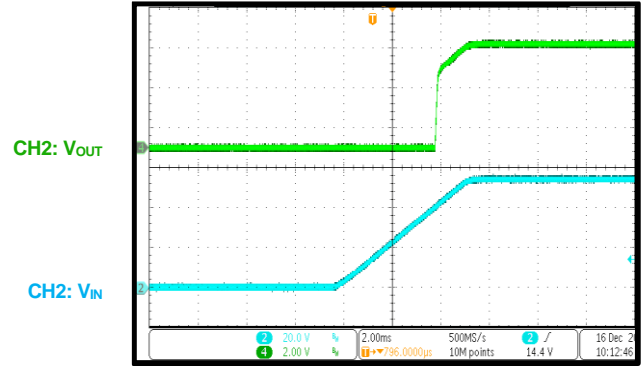
### Start-Up through VIN

V<sub>IN</sub> = 54V, I<sub>OUT</sub> = 0A



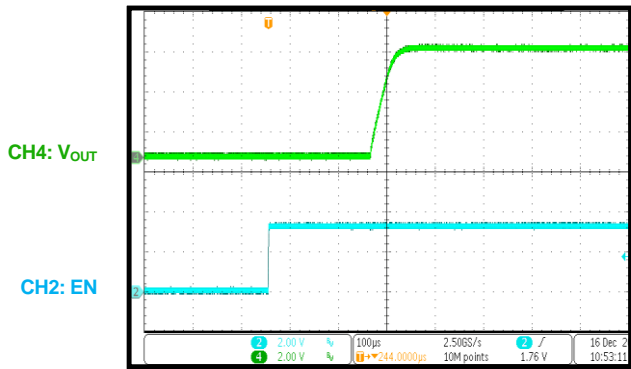
### Start-Up through VIN

V<sub>IN</sub> = 54V, I<sub>OUT</sub> = 60A, full load



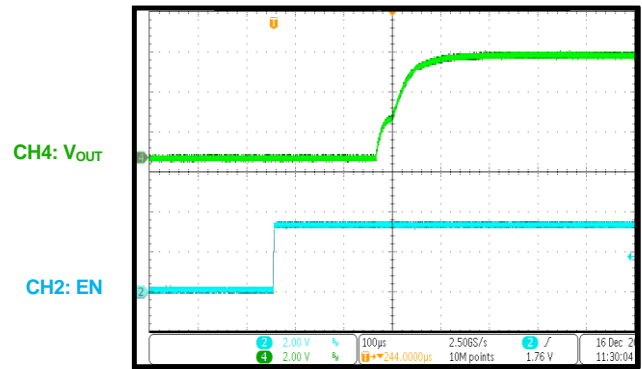
### Remote On

V<sub>IN</sub> = 54V, I<sub>OUT</sub> = 0A, EN on



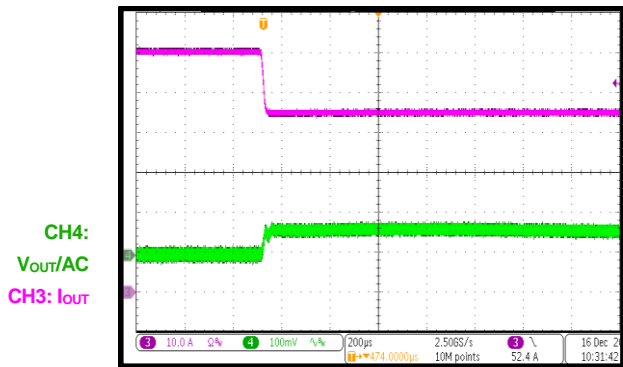
### Remote On

V<sub>IN</sub> = 54V, I<sub>OUT</sub> = 60A, EN on



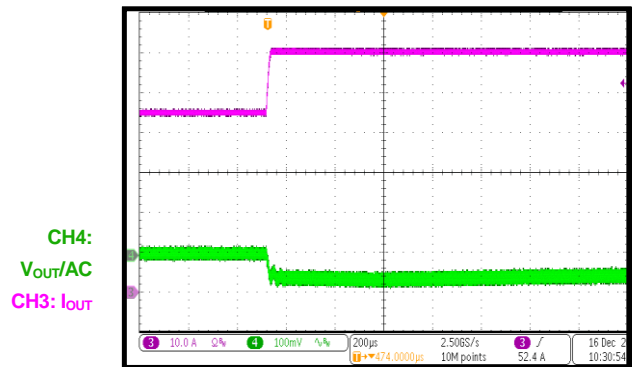
### Transient Response

V<sub>IN</sub> = 54V, 1A/µs step change in load from 100% to 75% of I<sub>O\_MAX</sub>



### Transient Response

V<sub>IN</sub> = 54V, 1A/µs step change in load from 75% to 100% of I<sub>O\_MAX</sub>



## FUNCTIONAL BLOCK DIAGRAM

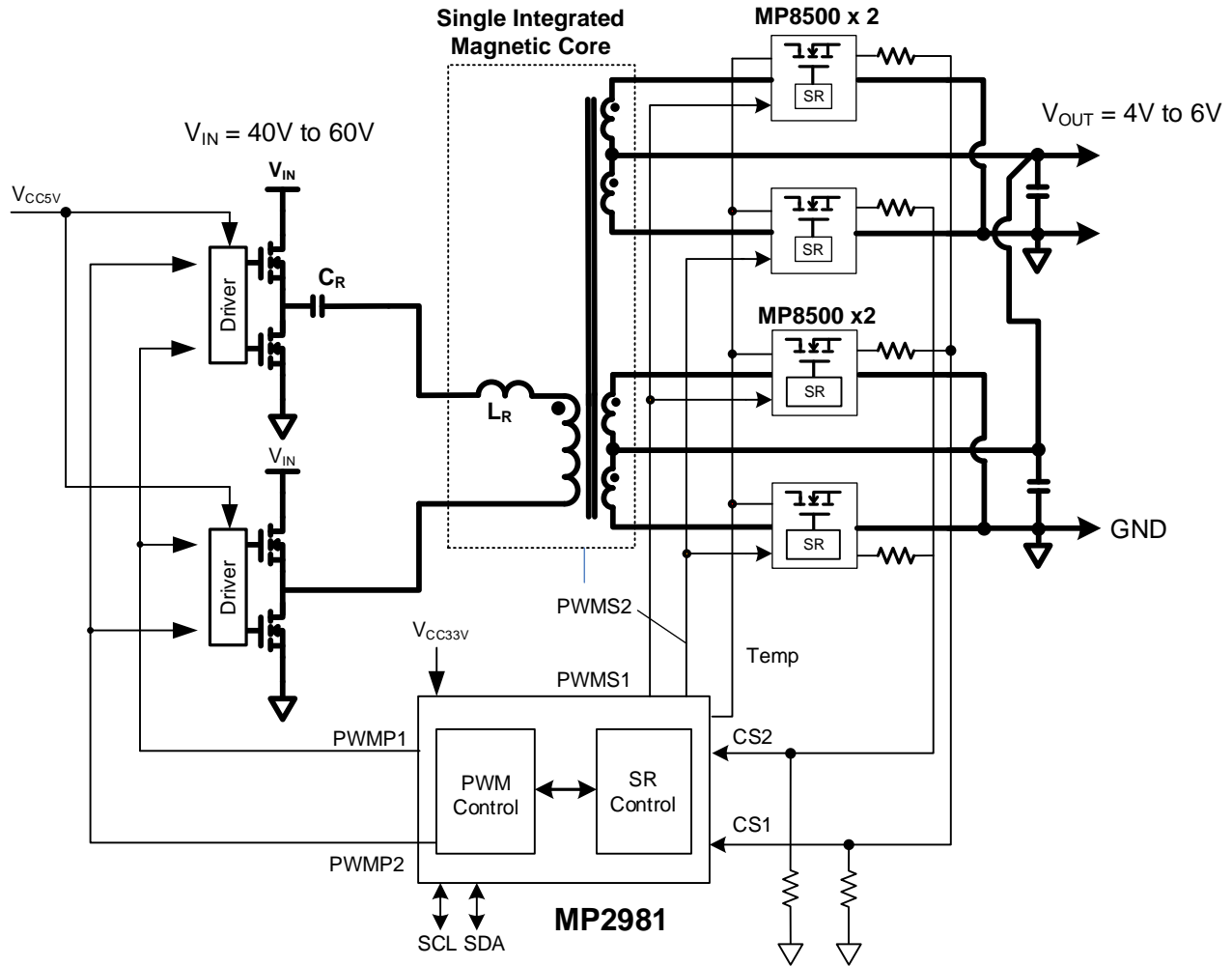


Figure 1: Functional Block Diagram



## OPERATION

The MPC1100A-54-0000 is a full-bridge LLC-DCX power converter module with a 10:1 transformer turns ratio. The device incorporates the MP2981, a digital LLC controller that provides two PWM channels for primary-side control as well as two PWM channels for secondary-side control.

The LLC circuit is most efficient when working at the resonant frequency (see Figure 2).  $L_R$  and  $C_R$  have tolerances and temperature shifts that may cause the operating frequency to shift away from the resonant frequency.

The resonant frequency ( $f_R$ ) can be calculated with Equation (1):

$$f_R = \frac{1}{2\pi \times \sqrt{L_R \times C_R}} \quad (1)$$

With MPS's MP8500 (a smart synchronous rectifier), the MPC1100A-54-0000 can be optimized to work at the resonant frequency, which improves the module's efficiency.

The MPC1100A-54-0000 incorporates four MP8500 devices. The MP8500 supports accurate current-sense (CS) functionality. Its CS pin sources a current that is proportional to the output current ( $I_{OUT}$ ), and generates a voltage by connecting a resistor to GND. The MP2981 can use this signal to monitor and report the output current ( $I_{OUT}$ ), as well as protect the MPC1100A-54-0000 power card module.

The MP8500 can also send a zero-current detection (ZCD) signal to the MP2981 once a 0A current is detected. Then the MP2981 aligns the PWM off time and ZCD signal by fine-tuning the PWM on time ( $t_{ON}$ ) to let the MPC1100A-54-0000 operate at the resonant frequency.

During the dead time, the transformer's magnetizing inductor current discharges the FET's output capacitor to zero before the FET turns on. This helps the FET achieve zero-voltage switching (ZVS) on its primary side. The MP8500 turns off after ZCD, and then zero-current switching (ZCS) is implemented.

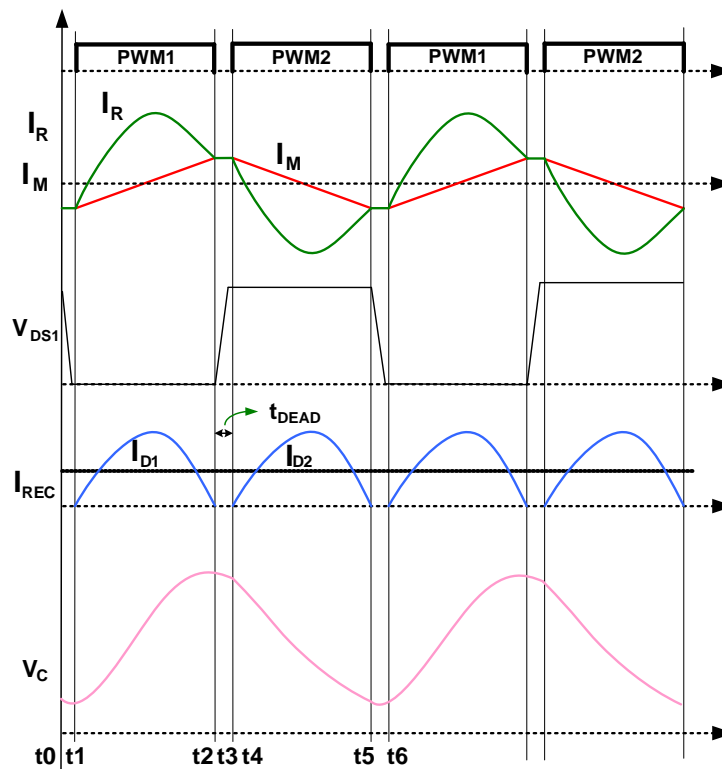


Figure 2: LLC Waveform

## Power-On Sequence

### Multiple-Time Programmable (MTP) Memory Operation

The MP2981 uses the multiple-time programmable (MTP) memory to store the configuration parameters, including the switching frequency ( $f_{sw}$ ), soft-start time ( $t_{ss}$ ), and protection parameters. Default values are preconfigured during manufacturing. Data can be reconfigured using the STORE\_USER\_ALL command (17h) or STORE\_ALL command (15h) via the PMBus/I<sup>2</sup>C interface.

The configurations are restored by the MTP during the power-on sequence, or by receiving a RESTORE\_USER\_ALL (18h) command or RESTORE\_ALL (16h) command from the PMBus/I<sup>2</sup>C. Figure 3 shows the device's system state machine. ENABLE\_CMD means that the MSB of 01H is 1. MEMORY\_OK means that the MTP has no signature error or CRC error, or that an MTP fault state has been cleared after copying the MTP.

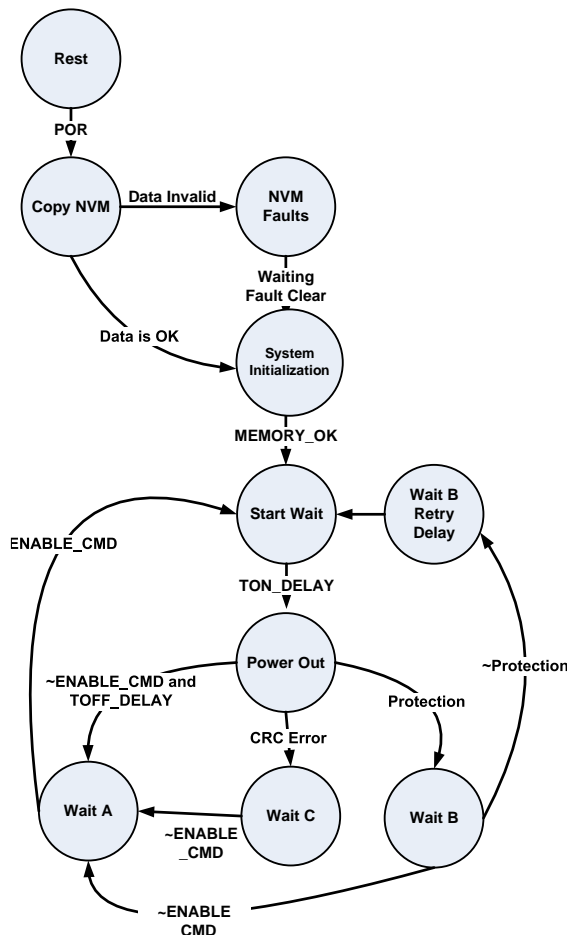


Figure 3: System State Machine

MTP operation can be easily accomplished with MPS's GUI software, downloaded from the MPS website. The MTP can be subjected to more than 100,000 erase and write cycles.

### Start-Up Sequence

After VDD33 is ready, the internal reset of the MP2981 is released and the clock starts ticking (see Figure 4). The MP2981 begins to copy data regardless of the EN pin's state. Then the MPC1100A-54-0000 can be powered on by turning on EN, pulling VIN high, or by receiving an ON command.

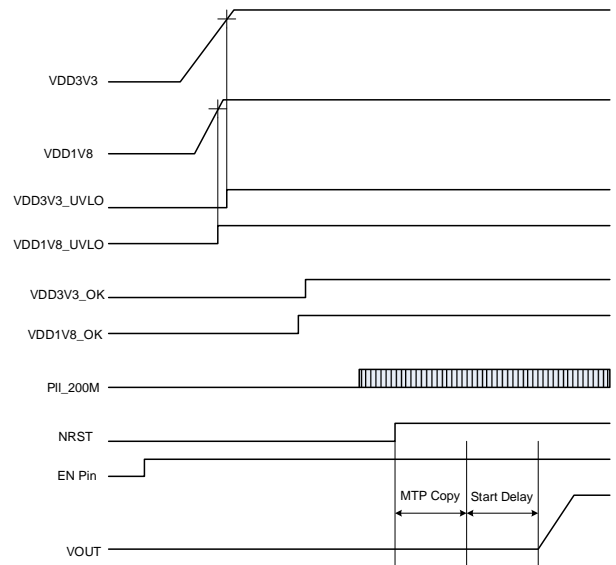


Figure 4: MP2981 Start-Up Sequence

### Soft Start

The MP2981 adopts pulse-width modulation (PWM) mode for the first PWM cycle during soft start. During the first  $t_{ON}$  increasing stage, PWM runs at the maximum frequency. The PWM on time begins at TON\_MIN\_LIM (1Fh), bits[13:8] and increases to TON\_MIN (1Ch).

The first dead time value is (TON\_MIN + DEAD\_TIME (1Bh) - TON\_MIN\_LIM). Then it drops to DEAD\_TIME (1Bh), which is the normal working value. The frequency remains the same.

During the second  $t_{ON}$  increasing stage, the PWM frequency is reduced from its maximum value to the resonant frequency.  $t_{ON}$  increases from TON\_MIN (1Ch) to TON\_NORMAL (1Eh), and the dead time is fixed. This helps reduce the inrush current during the first PWM cycles during soft start compared to traditional soft start methodology.

### Primary ZCD Loop

The MP2981 detects the ZCD signal from the synchronous rectifier (SR), and adjusts the PWM frequency to its resonant value according to ZCD. ZCD going high (or low, selected by SEL\_ZCD\_NEG (0Fh), bit[14]), means that the SR current goes negative. Both phases have their own ZCD, which can be enabled together or separately (0Fh, bits[6:5]).

The valid area for detecting ZCD is set by register 0Bh. For more details, see the ZCD\_TIME\_SET (0Bh) section on page 24. If the ZCD edge is within the valid setting area,  $t_{ON}$  falls by WEIGHTN\_ZCD (29h), bits[15:8]. If not,  $t_{ON}$  increases by WEIGHTP\_ZCD (29h), bits[6:0]. The adjusting speed is determined by register 29h. After 256 continuous valid ZCD pulses (including phase 1 and phase 2),  $t_{ON}$  drops by 5ns. If no valid ZCD occurs within 256 continuous PWM pulses (including phase 1 and phase 2), then  $t_{ON}$  increases by 5ns.

This function can be limited by the sampled SR current. The TDC current must be within the light-load and heavy-load limitations defined by register 0Ch if the load limit is enabled (0Ch, bits[4]).

If LOADLOW\_ZCDLOOP\_EN (0Ch), bit[15] is not enabled, the ZCD adjusting frequency can be held. The frequency can be held if any of the following conditions are met:

- The CS1 pin current is below CMP\_CS1\_ENTERFREQ (1Ah), bit[8], and 1Ah, bits[3:0] is in the corresponding valid area
- The TDC current is below or equal to the level set by MFR\_IOUT\_LEVEL\_L (49h), bits[7:0]

Under these conditions, the ZCD adjusting frequency is held since the SR's ZCD is not accurate under light-load conditions.

If the  $t_{ON}$  difference between neighboring PWM periods is within ZCDLOOP\_HYS (0Bh), bits[10:8] for 256 PWM periods, the frequency is stable unless the load changes.  $t_{ON}$  can be locked if ZCDLOOP\_LATCHTON\_EN (0Ch), bit[5] is high. The synchronized ZCD in the MP2981 is delayed from SR current ZCD timing. The final  $t_{ON}$  can be fixed by

TON\_ZCDLOOP\_DEC (0Fh), bits[11:8] if ZCDLOOP\_LATCHTON\_EN (0Ch), bit[5] is enabled.

### Fault Monitoring and Protections

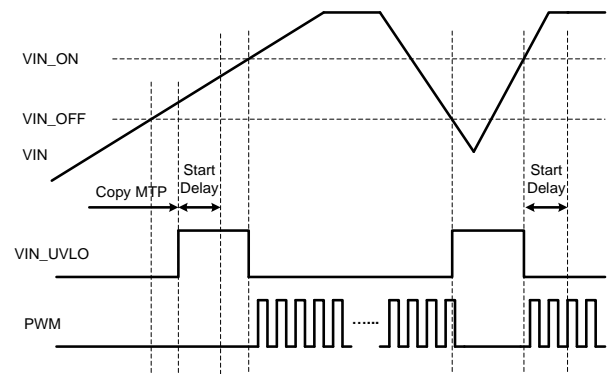
The MPC1100A-54-0000 monitors the input voltage ( $V_{IN}$ ), output voltage ( $V_{OUT}$ ), output current ( $I_{OUT}$ ), MP8550 temperature, and MP2981 die temperature.

The MPC1100A-54-0000 also supports various fault monitoring and protections, including  $V_{IN}$  under-voltage lockout (UVLO),  $V_{IN}$  over-voltage protection (OVP), over-current protection (OCP) spike, OCP thermal design current (TDC), output OVP, under-voltage protection (UVP), over-temperature protection (OTP), and DrMOS fault protection.

#### **$V_{IN}$ Under-Voltage Lockout (UVLO) and Over-Voltage Protection (OVP)**

$V_{IN}$  is sensed and monitored by the analog-to-digital converter (ADC). The ADC-sensed input voltage is converted to an unsigned binary format (READ\_VIN (0.125V/LSB, 88h)) using the value set by VIN\_CAL\_GAIN (3Ah), which is proportional to the input voltage divider.

The READ\_VIN value is compared with the VIN\_ON (35h) and VIN\_OFF (36h) values to control the  $V_{IN}$  UVLO threshold. If  $V_{IN}$  is below or equal to VIN\_ON when the device is off (PWM is not generated during this time) or  $V_{IN}$  drops below VIN\_OFF at any time, then  $V_{IN}$  UVLO occurs (see Figure 5). The only exception is when the MTP is copying at start-up.



**Figure 5:  $V_{IN}$  UVLO**

$V_{IN}$  UVLO is also enabled when both DISABLE\_ALL\_PRO (68h), bit[0] and RST\_VIN\_PRO (68h), bit[4] are low.  $V_{IN}$  UVLO resets all shutdown protections.

If  $V_{IN}$  ramps up, EN turns on, and there is no off command, then the MPC100A-54-0000 restarts and resumes normal operation.

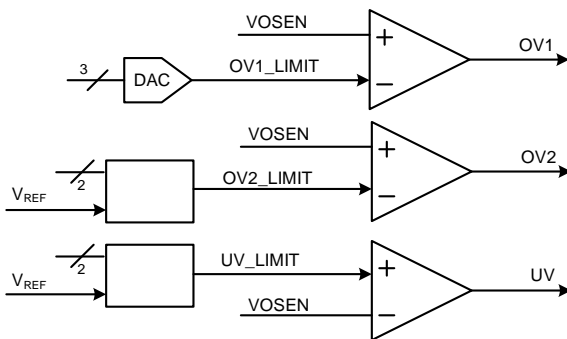
If  $V_{IN}$  exceeds  $V_{IN\_OV\_FLT\_LIM}$  (40h), then  $V_{IN}$  OVP occurs and the chip shuts down. OVP does not occur when the MTP is being restored during start-up. It is controlled by registers 68h, bits[5:4] and 68h, bit[0].

**$V_{OUT}$  Under-Voltage Protection (UVP) and Over-Voltage Protection (OVP)**

Output OVP and UVP are designed to protect the output fault statuses. If  $V_{OUT}$  exceeds the  $V_{OUT\_MAX}$  value, the chip shuts down immediately. Based on the mode set by the  $V_{OUT\_OVP\_MAX\_LATCH}$  bit, the part responds by going into latch-off or hiccup mode. It can also take no action if OVP is disabled.

The OVP\_MAX threshold (OVP1) has eight options ranging between 1V and 1.7V, with 0.1V/step. The over-voltage threshold (OVP2) has four tracking options: 110%, 120%, 130%, and 140% of the reference voltage ( $V_{REF}$ ).

If  $V_{OUT}$  drops quickly and falls below the  $V_{OUT\_MIN}$  threshold, the device shuts down after a short delay time (6Dh, bits[5:0]) (see Figure 6). The under-voltage threshold has four tracking options: 90%, 80%, 70%, and 60% of the reference voltage ( $V_{REF}$ ). Level 2 UVP (UVP2), also called  $V_{OUT}$  low protection, has four thresholds: 0.3V, 0.4V, 0.5V, and 0.6V.



**Figure 6: OVP1, OVP2, and UVP Protection Circuits**

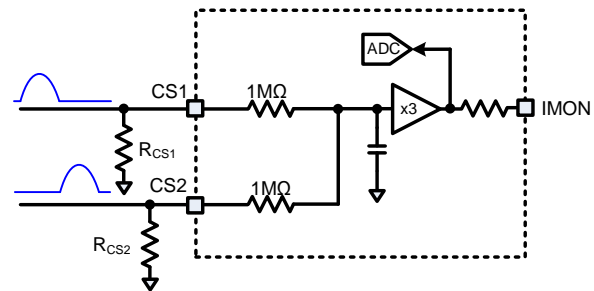
**Over-Current Protection (OCP) and Thermal Design Current (TDC)**

All parallel SR DrMOS currents of the same phase flow together into their own CS resistor ( $R_{CS}$ ). Two-phase CS voltages are added after

the low-pass filter, and are then outputted on the IMON pin after a three-time buffer.

The ADC samples the IMON voltage (see Figure 7). Then the digital part calculates  $I_{OUT\_CAL\_GAIN}$  (38h) and  $I_{OUT\_CAL\_OFFSET}$  (39h), as well as  $READ\_I_{OUT}$  (8Ch) from the ADC result (9Bh), which is compared to the output current limit (register 6Ah) to determine whether an over-current (OC) condition has occurred.

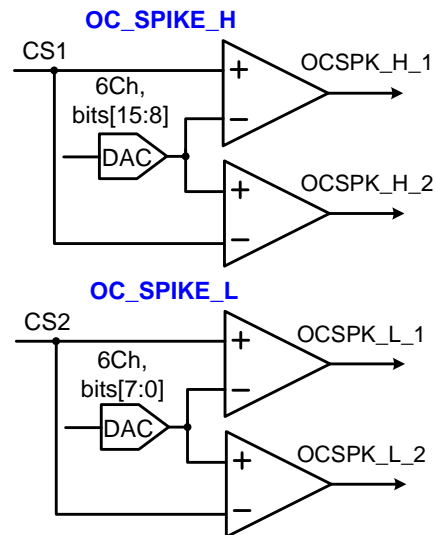
If the thermal design current (TDC) remains high for longer than the set time (6Ah), this protection shuts down the module.



**Figure 7: IMON Pin**

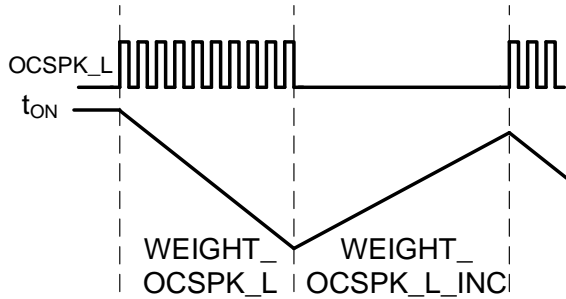
**Over-Current Protection (OCP) Spike**

OCP is designed to limit the output current when the load consumes more current than the circuit can handle. The MP8500's CS pin sources a current that is proportional to  $I_{OUT}$  ( $5\mu A/A$ ), and generates a voltage by connecting a resistor to GND. The CS pins (CS1 and CS2) of both phases are compared to the peak CS levels (OCSPK\_H and OCSPK\_L) (see Figure 8).



**Figure 8: OC Spike Comparators**

If the current drops to the lower level, the  $t_{ON}$  accumulator decreases by the value of WEIGHT\_OCSPK\_L (32h) (see Figure 9). After dropping to a sufficient value,  $t_{ON}$  decreases by 5ns. The minimum  $t_{ON}$  value is TON\_MIN (1Ch). In each PWM cycle, the  $t_{ON}$  values for both phases are the same.



**Figure 9: OCSPK\_L**

The two OC spikes cannot shut off the chip directly.

When the OC conditions are removed,  $t_{ON}$  gradually increases to the original value of WEIGHT\_OCSPK\_H or WEIGHT\_OCSPK\_L. The greater OC value has the higher priority.

The SR\_PWM pins (PWM pins for the MP8500) are designed to turn off later than the PWMP pins (PWM signal for the primary edge) on the MP2981 during an OC spike to reduce the SR current flowing through the diodes. This is set by register 08h, bits[15:12], and bits[6:4]. See the CTRL\_OC (08h) section on page 23 for more details.

**Over-Temperature Protection (OTP)**

The SR temperature and controller die temperature are both sensed by the ADC. These values trigger different responses that are independent from one another. However, the device enters latch-off or hiccup mode if either condition is triggered.

The MP8500 sends the temperature-sense signal for the MP2981’s TEMP pin. If the MP8500 triggers a CS fault and enters a protection mode, it pulls the TEMP pin to 3.3V. The MP2981 must have a half-divider on the TEMP pin so that the MP2981 can send the signal to the comparator and the ADC.

**MTP Fault**

If the data in the MTP is determined to be invalid by the cyclic redundancy check (CRC), then the

system enters the MTP fault state and waits for the error to be cleared.

**Communication Failure**

A data transmission fault occurs when information is not properly transferred between the devices. There are several data transmission faults:

- Sending too little data
- Reading too little data
- Host sending too many bytes
- Reading too many bytes
- Improperly set read bit in the address byte
- Unsupported command codes

**PMBus/I<sup>2</sup>C Communication**

The MPC1100A-54-0000 supports real-time monitoring for the VR operation parameters and status with PMBus/I<sup>2</sup>C interface. Table 1 lists the monitored parameters.

**Table 1: PMBus/I<sup>2</sup>C Monitored Parameters**

Parameter	PMBus/I <sup>2</sup> C
V <sub>OUT</sub>	62.5mV/LSB
I <sub>OUT</sub>	0.25A/LSB
Temperature	1°C
V <sub>IN</sub>	0.125V/LSB
Die temperature	1°C
OVP	✓
UVP	✓
OCP	✓
OTP	✓
V <sub>IN</sub> UVLO	✓
V <sub>IN</sub> OV	✓
CML	✓

**PMBus/I<sup>2</sup>C Interface**

To support multiple VR devices using the same PMBus/I<sup>2</sup>C interface, the MFR\_ADDR\_PMBus register or the ADDR pin can configure the PMBus/I<sup>2</sup>C address.

The address is a 7-bit code. The 3MSB are set by the register. The 4LSB bit address can either be set by the register or by the ADDR voltage. The 00h address is reserved as an all call address, which can be set for a single chip.

The ADDR voltage is set by the voltage divider from the VDD18 voltage.

Table 2 shows the resistor values for different PMBus/I<sup>2</sup>C addresses when the 3MSB are set to 3'b010.

**Table 2: Setting the PMBus/I<sup>2</sup>C Address (4LSB)**

PMBus/I <sup>2</sup> C Address	Setting Point (V)	R <sub>TOP</sub> (kΩ) 1%	R <sub>BOTTOM</sub> (kΩ) 1%
20h	0	-	0
21h	0.031	33.2	0.576
22h	0.055	33.2	1.05
23h	0.084	33.2	1.62
24h	0.115	33.2	2.26
25h	0.156	33.2	3.16
26h	0.203	33.2	4.22
27h	0.266	33.2	5.76
28h	0.338	33.2	7.68
29h	0.432	33.2	10.5
2Ah	0.542	33.2	14.3
2Bh	0.677	33.2	20.0
2Ch	0.845	33.2	29.4
2Dh	1.049	33.2	46.4
2Eh	1.301	33.2	86.6
2Fh	1.549	33.2	20.5

There are a total of five transmission structures, listed below:

1. Send command only
2. Write byte
3. Write word
4. Read byte
5. Read word

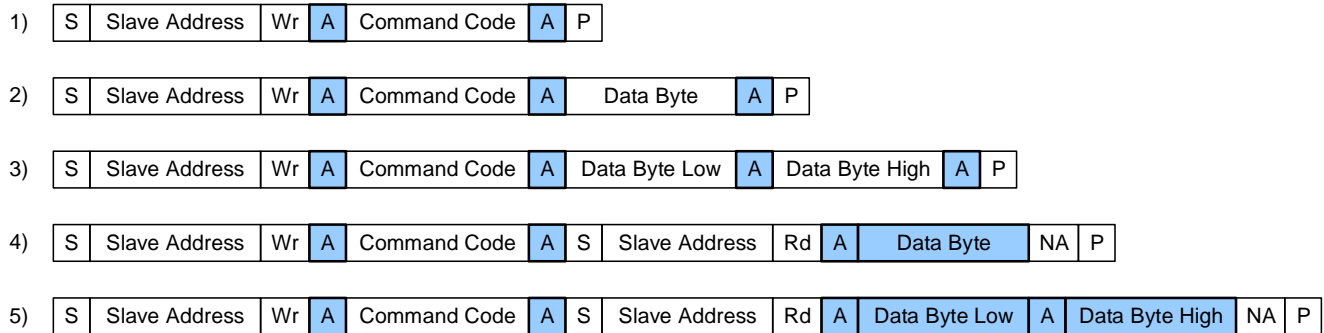
To read or write to the MPC1100A-54-0000 registers, the PMBus/I<sup>2</sup>C or I<sup>2</sup>C command must be compliant with the corresponding register and byte number.

The PMBus/I<sup>2</sup>C communication frequency can support 1MHz.

Figure 10 shows the supported PMBus/I<sup>2</sup>C transmission structure without packet error checking (PEC).

Figure 11 shows the supported PMBus/I<sup>2</sup>C transmission structure with PEC.

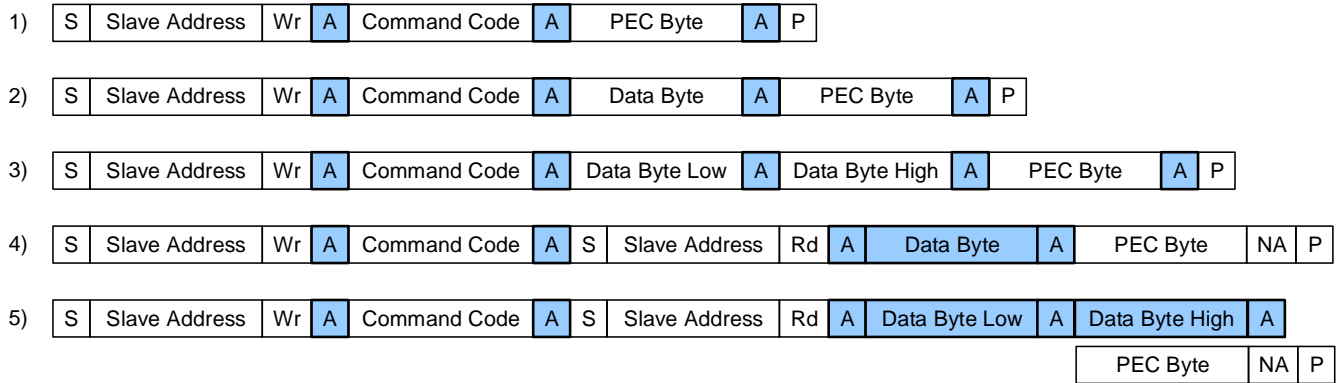
The PMBus/I<sup>2</sup>C or I<sup>2</sup>C commands and register map of the MPC1100A-54-0000 is the same as the MP2981. Refer to the MP2981 datasheet for additional details.



**S = Start**  Master to Slave  
**P = Stop**  Slave to Master  
**A = Acknowledge (ACK)** **Wr = Write (Bit Value = 0)**  
**NA = Not Acknowledge (NACK)** **Rd = Read (Bit Value = 1)**

**Figure 10: Supported PMBus/I<sup>2</sup>C Transmission Structure without PEC**

**NOT RECOMMENDED FOR NEW DESIGNS, REFER TO MPC1100C-54-0002**



**S = Start**  Master to Slave  
**P = Stop**  Slave to Master  
**A = Acknowledge (ACK)** **Wr = Write (Bit Value = 0)**  
**NA = Not Acknowledge (NACK)** **Rd = Read (Bit Value = 1)**

**Figure 11: Supported PMBus/I<sup>2</sup>C Transmission Structure with PEC**

**PMBUS/I<sup>2</sup>C MEMORY PAGE 0 COMMANDS/REGISTERS**

Command Code	Command Name	Type	Bytes
0x00	PAGE	R/W	1
0x01	OPERATION	R/W	1
0x03	CLEAR_FAULTS	Send	0
0x04	CTRL_PWM	R/W	2
0x05	MFR_ADC_HOLD_TIME	R/W	1
0x06	CTRL_VR	R/W	2
0x07	CTRL_MTP	R/W	2
0x08	CTRL_OC	R/W	2
0x09	LOW_POWER_SET_BIT	R/W	1
0x0b	ZCD_TIME_SET	R/W	2
0x0c	ZCD_LOOP_SET	R/W	2
0x0e	SKIP_SR_PWM_SET	R/W	2
0x0f	CTRL_PWM_BK	R/W	2
0x15	STORE_ALL	Send	0
0x16	RESTORE_ALL	Send	0
0x17	STORE_USER_ALL	Send	0
0x18	RESTORE_USER_ALL	Send	0
0x19	MFR_VOUT_SEL	R/W	2
0x1A	MFR_IOUT_SEL	R/W	2
0x1B	DEAD_TIME	R/W	1
0x1C	TON_MIN	R/W	2
0x1D	TON_MAX	R/W	2
0x1E	TON_NORMAL	R/W	2
0x1F	TON_MIN_LIM	R/W	2
0x21	MFR_REF_CONFIG	R/W	2
0x22	VOUT_TRIM	R/W	1
0x25	TRANSFORMER_RATIO	R/W	2
0x29	WEIGHT_ZCD	R/W	2
0x2A	SR_PWM_SETA_PRIDRV	R/W	2
0x2B	SS_SRNEG_SET	R/W	2
0x2C	SR_PWM_SETB	R/W	2
0x2D	MFR_SLOPE_SR	R/W	2
0x2E	MFR_SLOPE_BLK	R/W	2
0x2F	PRISSETBLK_WEIGHT_SS	R/W	2
0x30	WEIGHT_2_1	R/W	2
0x31	WEIGHT_4_3	R/W	2
0x32	WEIGHT_OCSPK_L_N	R/W	2
0x33	WEIGHT_OCSPK_INC	R/W	2
0x34	MFR_VIN_DROP_SET	R/W	2
0x35	VIN_ON	R/W	2
0x36	VIN_OFF	R/W	2
0x38	IOUT_CAL_GAIN	R/W	2
0x39	IOUT_CAL_OFFSET	R/W	2



**PMBUS/I<sup>2</sup>C MEMORY PAGE 0 COMMANDS/REGISTERS (continued)**

Command Code	Command Name	Type	Bytes
0x3A	VIN_CAL_GAIN	R/W	2
0x3B	VOUT_CAL_GAIN	R/W	2
0x40	VIN_OV_FLT_LIM	R/W	2
0x42	TEMP_GAIN_OFFSET	R/W	2
0x43	DIETEMP_GAIN_OFFSET	R/W	2
0x44	MFR_USER_PWD	W	2
0x45	MFR_MTP_WP	R/W	1
0x46	SKIPDRMOS_SR_ERARLI	R/W	2
0x49	MFR_IOUT_LEVEL	R/W	2
0x4B	MFR_VCAL_I_MAX	R/W	2
0x4C	DC_TRIM	R/W	1
0x50	MPS_CODE	R/W	2
0x51	PRODUCT_CODE	R/W	2
0x52	CONFIG_ID	R/W	2
0x53	CONFIG_REV	R/W	2
0x5A	CALVO_LOW_TON_SS_L	R/W	2
0x5B	TON_SS_H	R/W	2
0x5E	POWER_GOOD_ON	R/W	2
0x5F	POWER_GOOD_OFF	R/W	2
0x60	PROTECT_DELAY	R/W	1
0x62	PWRGD_DELAY	R/W	1
0x63	START_DELAY	R/W	2
0x64	OFF_DELAY	R/W	2
0x65	MFR_OTP_SET	R/W	2
0x66	MFR_DIE_OTP_SET	R/W	2
0x67	PMBUS/I <sup>2</sup> C_ADDR_SET	R/W	1
0x68	MFR_PROTECT_CFG	R/W	2
0x69	OVP_UVP_VID_SET	R/W	2
0x6A	OCP_TDC_SET	R/W	2
0x6B	OCP_SPIKE_TIMES_SET	R/W	2
0x6C	OCP_SPIKE_LEVEL	R/W	2
0x6D	UVP_MIN_SET	R/W	1
0x79	STATUS_WORD	R	2
0x7A	STATUS_VOUT	R	1
0x7B	STATUS_IOUT	R	1
0x7C	PROTECT_SIG_GRP	R	2
0x7D	STATUS_TEMP	R	1
0x7E	STATUS_CML	R	1
0x80	SYS_STATE_DBG	R	1
0x81	FINAL_PMBUS/I <sup>2</sup> C_ADDR	R	1
0x82	REG_LAST_FAULT_MTP	R	2

**PMBUS/I<sup>2</sup>C MEMORY PAGE 0 COMMANDS/REGISTERS** *(continued)*

Command Code	Command Name	Type	Bytes
0x88	READ_VIN	R	2
0x8B	READ_VOUT	R	2
0x8C	READ_IOUT	R	2
0x8D	READ_TEMP	R	1
0x8E	READ_DIE_TEMP	R	1
0x90	USER_KEY_INPUT	W	2
0x96	READ_POUT	R	2
0x99	VIN_SENSE	R	2
0x9A	VOUT_SENSE	R	2
0x9B	IOUT_SENSE	R	2
0x9C	TEMP_SENSE	R	2
0x9D	DIE_TEMP_SENSE	R	2
0x9E	TON_PWMP	R	2
0x9F	TON_SR_PWM	R	2
0xF1	CLR_LAST_FAULT_WMTP	Send	0
0xF2	READ_LAST_FAULT_TRIG	Send	0
0xF3	CLEAR_STORE_FAULTS	Send	0
0xF4	CLEAR_MTP_FAULTS	Send	0

## PAGE 0 REGISTER MAP

### PAGE (00h)

The PAGE command configures, controls, and monitors the device through only one physical address to support normal operation, testing mode, and debugging mode.

Command	PAGE							
Format	Unsigned binary							
Bit	7	6	5	4	3	2	1	0
Access	R/W	R/W	R/W	R/W	R/W	R/W	R/W	R/W
Function								PAGE

Bits	Bit Name	Description
7:2	RESERVED	Reserved. Bits[7:2] must set to 0 when changing bits[1:0].
1:0	PAGE	2'b00: Page 0. Normal and trim registers (read/write registers) can be stored in the MTP 2'b01: Page 1. Unused 2'b10: Page 2. Each PMBus/I <sup>2</sup> C command (not including (00h)) directly reads/writes to the MTP cells 2'b11: Page 3. Debugging/testing registers. Not stored in the MTP Users should only use Page 0 to avoid unintentionally entering test mode.

### OPERATION (01h)

The OPERATION command turns the output on or off by working with the EN pin. The MPC1100A-54-0000 remains in the commanded operating mode until another different OPERATION command is sent, or the state of EN changes.

Command	OPERATION							
Format	Unsigned binary							
Bit	7	6	5	4	3	2	1	0
Access	R/W	R/W	R/W	R/W	R/W	R/W	R/W	R/W
Function								

Bits	Bit Name	Description
7	OPERATION	1'b1: Turn on 1'b0: Turn off
6:0	RESERVED	Reserved. R/W bits are available, but do not change the device.

### CLEAR\_FAULTS (03h)

The CLEAR\_FAULTS command clears any fault bit in the following status registers: STATUS\_WORD (79h), STATUS\_VOUT (7Ah), STATUS\_IOUT (7Bh), STATUS\_TEMP (7Dh), and STATUS\_CML (7Eh).

This command is write-only. There is no data byte for this command.

### CTRL\_PWM (04h)

The CTRL\_PWM command controls PWM operation. The positive and negative edges of the SR\_PWM pins (SR\_PWMs) can be adjusted using the PWMP pins. The SR\_PWMs can be made to turn off earlier or later than the time set by the PWMP pins.

Command	CTRL_PWM															
Format	Unsigned binary															
Bit	15	14	13	12	11	10	9	8	7	6	5	4	3	2	1	0
Access	R/W	R/W	R/W	R/W	R/W	R/W	R/W	R/W	R/W	R/W	R/W	R/W	R/W	R/W	R/W	R/W
Function																

Bits	Bit Name	Description
15	RESERVED	Reserved. R/W bits are available, but do not change the device.
14	SKIP_SS_EN	Enables setting the MP2981's SKIP_EN pin high during soft start. 1'b1: Enabled. The SKIP_EN pin is pulled high during soft start 1'b0: Disabled. The SKIP_EN pin is pulled low during soft start
13	VOUT_SKIP_EN	Enables V <sub>OUT</sub> skipping. Determines what happens after V <sub>OUT</sub> ramps above VOUT_SKIP_H (19h), bits[3:2], and before V <sub>OUT</sub> ramps below VOUT_SKIP_L (19h), bits[1:0]. 1'b1: Shut down both SR_PWM pins during the dead time and after soft start. If 04h, bit[10] = 0, the primary PWMs also shut off 1'b0: No PWM shuts off
12	CLOSE_LOOP_EN	Enables the primary closed loop. 1'b1: Enabled 1'b0: Disabled
11	ZCD_LOOP_EN	Enables the primary zero-current detection (ZCD) loop. 1'b1: Enabled 1'b0: Disabled
10	VOUT_SKIP_PWMP_EN	Determines how the part responds when V <sub>OUT</sub> skipping is enabled and V <sub>OUT</sub> exceeds its limit. 1'b1: PWMP remains on when V <sub>OUT</sub> exceeds its limit during skip mode 1'b0: PWMP turns off when V <sub>OUT</sub> exceeds its limit during skip mode
9	SKIPSR_VIN_DROP_EN	Shuts off SR_PWM if the chip detects that V <sub>IN</sub> is dropping quickly, or VOSEN exceeds the V <sub>IN</sub> ADC value. 1'b1: Enabled 1'b0: Disabled
8:7	RESERVED	Reserved. R/W bits are available, but do not change the device.
6	SR_ADJ_NORMAL_EN	Adjusts whether the SR_PWMs turn on/off before or after the PWMP pins. 1'b1: Enabled. If 0Fh, bit[15] and 04h, bits[4:1] are set to 1'b1, then this bit should be set to 1'b1 1'b0: Disabled. If 0Fh, bit[15] and 04h, bits[4:1] are set to 1'b0, then this bit should be set to 1'b0
5	SR_NEG_ADJ_SS_EN	Shuts off SR_PWM after or before PWMP during soft start, according to t <sub>ON</sub> . This bit is related to registers 5Ah, 5Bh, and 2Bh. 1'b1: Enabled 1'b0: Disabled
4	SR_FIXED_DEC_EN	Shuts off SR_PWM a fixed time before PWMP. Related to register 2Ah. 1'b1: Enabled 1'b0: Disabled
3	SR_FIXED_EXT_EN	Shuts off SR_PWM a fixed time after PWMP. Related to register 2Ah. 1'b1: Enabled 1'b0: Disabled
2	SR_NEG_ADJ_EN	Shuts off SR_PWM a fixed time before the next PWMP. Related to register 2Ch. 1'b1: Enabled 1'b0: Disabled
1	SR_POS_DEC_EN	Turns on SR_PWM after PWMP. Related to register 2Ch. 1'b1: Enabled 1'b0: Disabled

0	SR_EN	<p>Makes SR_PWM equal to PWMP if no other adjusting function is enabled. Only enabled when the part is not in soft start, and 04h, bit[6] = 0.</p> <p>1'b1: SR_PWM = PWMP 1'b0: SR_PWM = 0</p>
---	-------	--

### MFR\_ADC\_HOLD\_TIME (05h)

The MFR\_ADC\_HOLD\_TIME command sets the waiting time between finishing one channel sampling and starting the next channel sampling.

Command	MFR_ADC_HOLD_TIME							
Format	Unsigned binary							
Bit	7	6	5	4	3	2	1	0
Access	R	R/W	R/W	R/W	R/W	R/W	R/W	R/W
Function	X	MFR_ADC_HOLD_TIME						

Bits	Bit Name	Description
7	RESERVED	Not defined. Read-only.
6:0	MFR_ADC_HOLD_TIME	The time after one channel finishes, and before the next channel starts. 100ns/LSB.

### CTRL\_VR (06h)

The CTRL\_VR command configures certain chip functions, excluding pulse-width modulation (PWM).

Command	CTRL_VR															
Format	Unsigned binary															
Bit	15	14	13	12	11	10	9	8	7	6	5	4	3	2	1	0
Access	R/W	R/W	R/W	R/W	R/W	R/W	R/W	R/W	R/W	R/W	R/W	R/W	R/W	R/W	R/W	R/W
Function																

Bits	Bit Name	Description
15	RESERVED	Reserved. R/W bits are available, but do not change the device.
14	CHOP_BG	<p>Controls the analog output to enable bandgap (BG) chop.</p> <p>1'b1: Enabled 1'b0: Disabled</p>
13	PSYS_SEL_2W	<p>Selects the PSYS current rate by sending different READ_POUT (96h) data.</p> <p>1'b1: 2 with LSB, send READ_POUT (96h), bits[10:1] to the 10-bit PSYS digital-to-analog converter (DAC) 1'b0: 1 with LSB, send READ_POUT (96h), bits[9:0] to the DAC</p>
12	DC_CAL_EN	<p>Enables the DC loop.</p> <p>1'b1: Enabled 1'b0: Disabled</p>
11	DIE_TEMP_RATE_NEG	<p>Selects the die temperature's voltage vs. temperature (V-T) rate.</p> <p>1'b1: Negative 1'b0: Positive</p>
10:9	RESERVED	Reserved. R/W bits are available, but do not change the device.
8	PMBUS/I <sup>2</sup> C_ADDR_KEEP_SAMP	<p>1'b1: The ADC constantly samples the ADDR_P pin 1'b0: The ADC samples ADDR_P only seven times after the MTP address reaches 8'h20</p>
7:4	PMBUS/I <sup>2</sup> C_FILTER_SET	PMBus/I <sup>2</sup> C filter on the digital side. 10ns/LSB.

3	WAIT_VIN_START	1'b1: Wait until $V_{IN}$ is ready ( $READ\_VIN > VIN\_ON$ ) before ramping $V_{REF}$ and generating PWMs 1'b0: Do not wait until $V_{IN}$ is ready ( $READ\_VIN > VIN\_ON$ ) before ramping $V_{REF}$ and generating PWMs
2	SEL_PWRGD_1REF_0TON	Selects $V_{REF}$ ramping or $t_{ON}$ increasing to act as the PG reference. 1'b1: $V_{REF}$ 1'b0: $t_{ON}$
1	MFR_ONOFFDLY_CLK_1L0S	Selects the counting clock for START_DELAY and OFF_DELAY during start-up and shutdown. 1'b1: 20kHz 1'b0: 50kHz
0	KEEP_TON_MIN_LMT_SS	Determines the $V_{OUT}$ threshold before increasing $t_{ON}$ during soft start. 1'b1: $t_{ON}$ stays at the $TON\_MIN\_LIM$ (1Fh) value and does not increase until $V_{OUT}$ exceeds $V_{OUT} UVP\_MIN$ (19h) 1'b0: $t_{ON}$ does not stay at the $TON\_MIN\_LIM$ (1Fh) value, and begins increasing before $V_{OUT}$ exceeds $V_{OUT} UVP\_MIN$ (19h)

### CTRL\_MTP (07h)

The CTRL\_MTP command sets the MTP parameters. It is recommended to use the vendor's preset configurations.

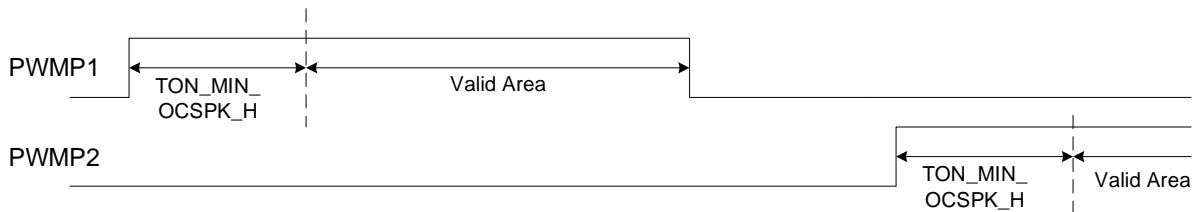
Command	CTRL_MTP															
Format	Unsigned binary															
Bit	15	14	13	12	11	10	9	8	7	6	5	4	3	2	1	0
Access	R/W	R/W	R/W	R/W	R/W	R/W	R/W	R/W	R/W	R/W	R/W	R/W	R/W	R/W	R/W	R/W
Function	X															

Bits	Bit Name	Description
15	CRC_FAULT_USER_EN	Enables cyclic redundancy check (CRC) for the MTP user. 1'b1: Enabled 1'b0: Disabled
14	CRC_FAULT_TRIM_EN	Enables CRC for the MTP trim. 1'b1: Enabled 1'b0: Disabled
13	CRC_FAULT_TOT_EN	Enables CRC for the total MTP. Do not set this bit to 1 when using 17h (STORE_USER_ALL) to write to the MTP. 1'b1: Enabled 1'b0: Disabled
12	MTP_FAULT_BLOCK_EN	Determines whether an MTP fault prevents start-up, including the signature fault and CRC fault. 1'b1: Enabled. If an MTP fault occurs, the chip enters the MTP fault state, and a CLEAR_MTP_FAULTS (F4h) command must be sent to exit the state 1'b0: Disabled. The chip starts up if an MTP fault occurs
11	LAST_FAULT_BLOCK_EN	Prevents start-up if the data read from the MTP_LAST_FAULT_ADDR is not 0. 1'b1: Enabled. If the last fault exists, the chip must receive a CLEAR_STORE_FAULTS (F3h) command to start up 1'b0: Disabled. The chip starts up, even if the last fault exists
10:6	RESERVED	Reserved. R/W bits are available, but do not change the device.

5	CAL_FAULT_CRC_DIS	1'b1: Do not include MTP_FAULT_RECORD_ADDR (the 2 bytes in the MTP that store protection faults, such as OVP) when calculating CRC_TOT 1'b0: Include MTP_FAULT_RECORD_ADDR when calculating CRC_TOT
4	NO_FAULT_STORE	1'b1: Store 00h data to MTP_FAULT_RECORD_ADDR 1'b0: Store the value of MEMORY_ADDR (7Ah) to MTP_FAULT_RECORD_ADDR when storing is not triggered by a fault
3	FAULT_SINGLE_EN	1'b1: Only store the 2-byte MTP_FAULT_RECORD_ADDR 1'b0: Store the whole third section of the MTP when storing FAULT_RECORD
2	RESERVED	Reserved. R/W bits are available, but do not change the device.
1	PROTECT_FAULT_RECORD_EN	Enables FAULT_RECORD. 1'b1: Enabled 1'b0: Disabled
0	MFR_MTP_COPY_EN	Reads the MTP (16h or 18h or F6h) when the device outputs power; ineffective for the READ_LAST_FAULT command (F2h) or the reading MTP commands (16h or 18h or F6h) on Page 2. 1'b1: Enabled 1'b0: Disabled

### CTRL\_OC (08h)

The CTRL\_OC command configures the over-current (OC) spike function. The PWM  $t_{ON}$  is reduced when an OC spike occurs, and recovers after the OC spike condition is removed (see Figure 12). This protection cannot directly shut down the chip.



**Figure 12: OCSPK\_H**

<b>Command</b>	CTRL_OC															
<b>Format</b>	Unsigned binary															
<b>Bit</b>	15	14	13	12	11	10	9	8	7	6	5	4	3	2	1	0
<b>Access</b>	R/W	R/W	R/W	R/W	R/W	R/W	R/W	R/W	R/W	R/W	R/W	R/W	R/W	R/W	R/W	R/W
<b>Function</b>																

Bits	Bit Name	Description
15:12	SR_DLY_OCSPK	Sets the time lengths of the SR_PWM pins' wait period before turning off after the PWMP pins when an over-current (OC) spike occurs. If any bit between bits[6:4] of this command is high, there must be a <1Bh (dead time setting). 5ns/LSB.
11:8	TON_MIN_OCSPK_H	If an OC spike occurs on CS1 (OCSPK_H), the minimum $t_{ON}$ can be calculated with the equation below: $(TON\_MIN\_OCSPK\_H + 1) \times 5ns$
7	RESERVED	Reserved. R/W bits are available, but do not change the device.
6	SR_DLY_OCSPK_H_SS_EN	Turns off the SR_PWM pins after the PWMP pins if an OC spike occurs on CS1 (OCSPK_H) during soft start. 1'b1: Enabled 1'b0: Disabled

5	SR_DLY_OCSPK_H_EN	Turns off the SR_PWM pins after the PWMP pins if an OC spike occurs on CS1 (OCSPK_H) during a time that is not soft start. 1'b1: Enabled 1'b0: Disabled
4	SR_DLY_OCSPK_L_EN	Turns off the SR_PWM pins after the PWMP pins if an OC spike occurs on CS1 (OCSPK_H) during normal operation. 1'b1: Enabled. Bit[5] must be set to 1'b1 1'b0: Disabled
3	OC_TRIG_SR_EN	Turns on the SR_PWM pins immediately if they are not on when an OC spike occurs on CS1 or CS2 (OCSPK_H or OCSPK_L, respectively) while PWMP is on. 1'b1: Enabled 1'b0: Disabled
2	OCSPK_H_TON_SS_EN	Adjusts $t_{ON}$ if an OC spike occurs on CS1 (OCSPK_H) during soft start. 1'b1: Enabled 1'b0: Disabled
1	OCSPK_H_TON_EN	Adjusts $t_{ON}$ if an OC spike occurs on CS1 (OCSPK_H) during a time that is not soft start. 1'b1: Enabled 1'b0: Disabled
0	OCSPK_L_TON_EN	Adjusts $t_{ON}$ if an OC spike occurs on CS2 (OCSPK_L). This cannot be adjusted during soft start. 1'b1: Enabled 1'b0: Disabled

### LOW\_POWER\_SET\_BIT (09h)

The LOW\_POWER\_SET\_BIT command controls low-power mode.

Command	LOW_POWER_SET_BIT							
Format	Unsigned binary							
Bit	7	6	5	4	3	2	1	0
Access	R	R	R	R	R	R	R/W	R/W
Function	X	X	X	X	X	X		

Bits	Bit Name	Description
7:2	RESERVED	Not defined. Read-only.
1	RESERVED	Reserved. R/W bits are available, but do not change the device.
0	LOW_POWER_SET_BIT	1'b1: The chip remains in low-power mode when the EN pin is low 1'b0: The chip operates normally when the EN pin is low

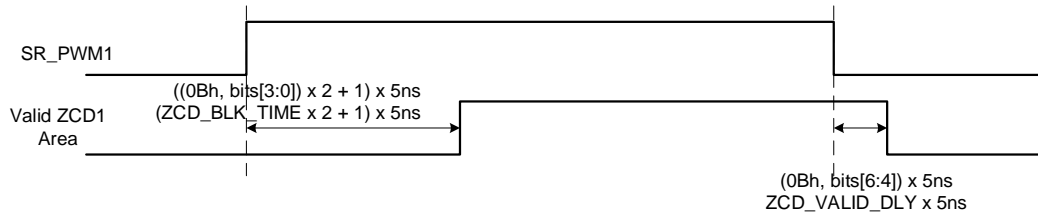
### ZCD\_TIME\_SET (0Bh)

The ZCD\_TIME\_SET command configures frequency adjusting via the zero-current detection (ZCD) function (primary ZCD loop). Figure 13 on page 25 shows the valid ZCD1 area for this function. The valid ZCD2 area is determined by SR\_PWM2. When ZCD occurs within the valid area,  $t_{ON}$  decreases by WEIGHTN\_ZCD (29h), bits[15:8]. When a ZCD event occurs outside the valid area,  $t_{ON}$  increases by WEIGHTP\_ZCD (29h), bits[6:0].

Frequency adjusting completes if the following conditions are met:

- The difference between neighboring  $t_{ON}$  values is within ZCDLOOP\_HYS (0Bh), bits[10:8] for more than 256 periods.
- There is no load change, or another conditional change.




**Figure 13: Valid ZCD1 Area for ZCD Loop Function**

Command	ZCD_TIME_SET															
Format	Unsigned binary															
Bit	15	14	13	12	11	10	9	8	7	6	5	4	3	2	1	0
Access	R	R	R	R	R	R/W	R/W	R/W	R/W	R/W	R/W	R/W	R/W	R/W	R/W	R/W
Function	X	X	X	X	X	TON_HYS				ZCD_VALID_DLY			ZCD_BLK_TIME			

Bits	Bit Name	Description
15:11	RESERVED	Not defined. Read-only.
10:8	ZCDLOOP_HYS	When $t_{ON}$ stays between $TON\_LAST\_PERIOD \pm ZCDLOOP\_HYS$ for about 256 periods, the loop is stable. 5ns/LSB.
7	RESERVED	Reserved. R/W bits are available, but do not change the device.
6:4	ZCD_VALID_DLY	The ZCD valid area after the delayed SR_PWM. 5ns/LSB.
3:0	ZCD_BLK_TIME	The beginning area of SR_PWM is invalid for ZCD. 10ns/LSB. The ZCD blanking time can be calculated with the following equation: $ZCD \text{ blanking time} = (ZCD\_BLK\_TIME \times 2 + 1) \times 5ns$

### ZCD\_LOOP\_SET (0Ch)

The ZCD\_LOOP\_SET command configures the adjusting frequency via the zero-current detection (ZCD) function (primary ZCD loop). If ZCDLOOP\_LATCHTON\_EN (0Ch), bit[5] is enabled and the frequency adjustment finishes ( $t_{ON}$  stays within the hysteresis threshold for more than 256 periods), then  $t_{ON}$  is fixed to TON\_ZCDLOOP\_DEC (0Fh), bits[11:8] (the 256th  $t_{ON}$ ). If ZCDLOOP\_LATCHTON\_EN (0Ch), bit[5] is not enabled, then the adjustment continues calculating. If ZCDLOOP\_LOADLMT\_EN (0Ch), bit[4] = 1, then the ZCD loop is only enabled when the TDC current is within the load limitation.

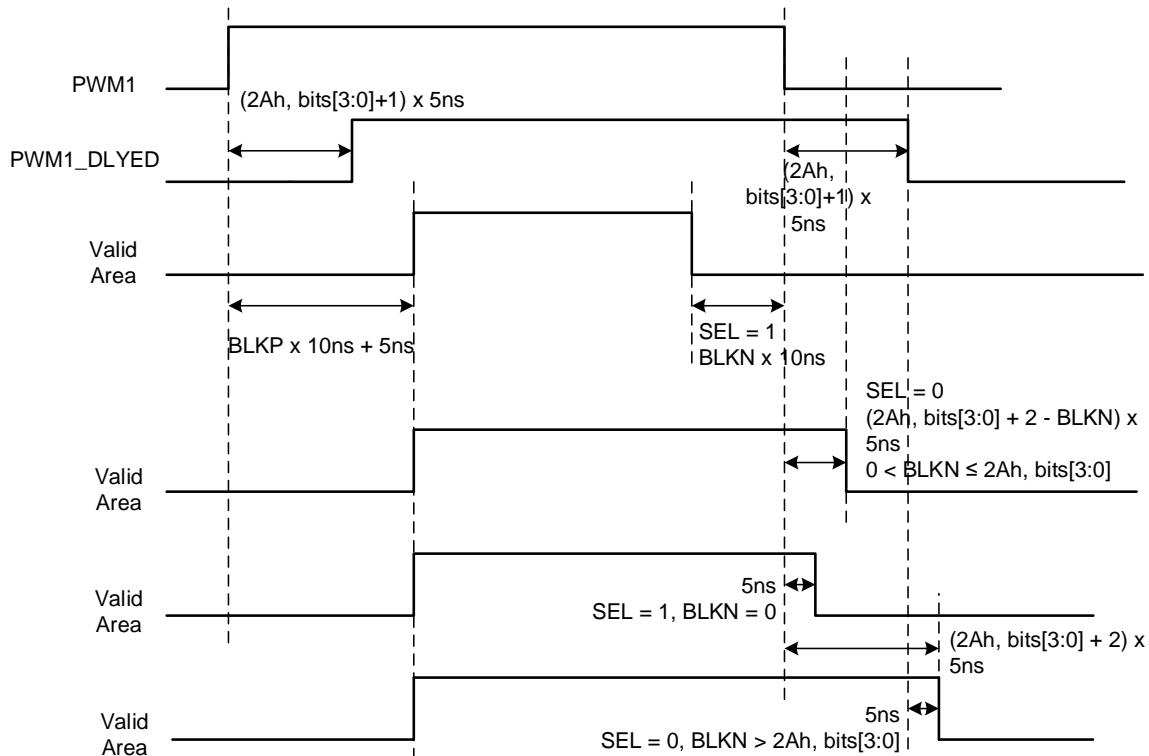
Command	ZCD_LOOP_SET																
Format	Unsigned binary																
Bit	15	14	13	12	11	10	9	8	7	6	5	4	3	2	1	0	
Access	R/W	R/W	R/W	R/W	R/W	R/W	R/W	R/W	R/W	R/W	R/W	R/W	R/W	R/W	R/W	R/W	
Function						LOADLMT_H								LOADLMT_L			

Bits	Bit Name	Description
15	LOADLOW_ZCDLOOP_EN	Enables the ZCD loop when the voltage of the CS1 pin drops below the skip SR_PWMs level (1Ah, bit[8] and 1Ah, bits[3:0]) or (READ_IOUT (8Ch) / 2) is below or equal to MFR_IOUT_LEVEL_L (49h), bits[7:0]). 1'b1: Enables the ZCD loop function 1'b0: Disables the ZCD loop function
14:8	ZCDLOOP_LOADLMT_H	The load's high limit to enable the ZCD loop compared to READ_IOUT / 8 (from ADC sampling and then calculation). 2A/LSB.
7:6	RESERVED	Reserved. R/W bits are available, but do not change the device.
5	ZCDLOOP_LATCHTON_EN	Latches $t_{ON}$ after $t_{ON}$ stays in hysteresis for 256 periods. 1'b1: Enabled 1'b0: Disabled

4	ZCDLOOP_LOADLMT_EN	Enables the load limitation for the ZCD loop. 1'b1: Enabled 1'b0: Disabled
3:0	ZCDLOOP_LOADLMT_L	The load's low limit to enable the ZCD loop compared to READ_IOUT / 4 (from ADC sampling and then calculation). 1A/LSB.

### SKIP\_SR\_PWM\_SET (0Eh)

The SKIP\_SR\_PWM\_SET command configures the function that allows the SR\_PWMs to be skipped under light-load conditions. Figure 14 shows the valid skip areas. When the CS1 pin is below CMP\_CS1\_ENTERFREQ (1Ah), the signal from CMP\_CS1\_ENTERFREQ goes high. The valid area to detect this comparator output to enter skip mode is defined below by bits[10:0]. This command is only valid for phase 1.



**Figure 14: Valid Skip Area**

<b>Command</b>	SKIP_SR_PWM_SET															
<b>Format</b>	Unsigned binary															
<b>Bit</b>	15	14	13	12	11	10	9	8	7	6	5	4	3	2	1	0
<b>Access</b>	R/W	R/W	R/W	R/W	R/W	R/W	R/W	R/W	R/W	R/W	R/W	R/W	R/W	R/W	R/W	R/W
<b>Function</b>						SEL	SKIP_SR_PWM_BLKN_SEL					SKIP_SR_PWM_BLKN				

Bits	Bit Name	Description
15	SKIP_SR_PWM_EN	Turns off SR_PWM when CS is low. 1'b1: Enabled 1'b0: Disabled
14:12	SKIP_SR_PWM_NUM	Sets the off time for the SR_PWM periods. After the skip delay, the SKIP_SR_PWM_NUM and SR_PWM periods (phase 1 and 2) are skipped.
11	RESERVED	Reserved. R/W bits are available, but do not change the device.

10	SKIP_SR_PWM_BKLN_SEL	<p>Selects the valid area of SKIP_SR_PWM before or after the PWM1 pull-down pulse.</p> <p>1'b1: The valid area is before the PWM1 pull-down pulse 1'b0: The valid area is after the PWM1 pull-down pulse</p>
9:4	SKIP_SR_PWM_BKLP	<p>Sets the blanking time of the valid area after a PWM1 pull-up pulse. The blanking time can be estimated with the equation below:</p> $\text{Skip blank time} = (\text{SKIP\_SR\_PWM\_BKLP} \times 10\text{ns} + 5\text{ns})$
3:0	SKIP_SR_PWM_BKLN	<p>Sets the blanking time for the valid area border to the PWM1 pull-down pulse. If SKIP_SR_PWM_BKLN_SEL = 1, the valid area border ahead of the PWM1 pull-down pulse is SKIP_SR_PWM_BKLN x 10ns. If SKIP_SR_PWM_BKLN_SEL = 0, the valid area border after the PWM1 pull-down pulse changes is based on the following scenarios:</p> <ul style="list-style-type: none"> <li>SKIP_SR_PWM_BKLN = 0: 5ns</li> <li>0 &lt; SKIP_SR_PWM_BKLN &lt; 2Ah, bits[3:0]: (2Ah, bits[3:0] + 2 x SKIP_SR_PWM_BKLN) x 5ns</li> <li>SKIP_SR_PWM_BKLN &gt; 2Ah, bits[3:0]: (2Ah, bits[3:0] + 2) x 5ns</li> </ul>

### CTRL\_PWM\_BK (0Fh)

The CTRL\_PWM\_BK command sets the PWM working options.

<b>Command</b>	CTRL_PWM_BK															
<b>Format</b>	Unsigned binary															
<b>Bit</b>	15	14	13	12	11	10	9	8	7	6	5	4	3	2	1	0
<b>Access</b>	R/W	R/W	R/W	R/W	R/W	R/W	R/W	R/W	R/W	R/W	R/W	R/W	R/W	R/W	R/W	R/W
<b>Function</b>					TON_ZCDLOOP_DEC											

Bits	Bit Name	Description
15	SR_POS_EARLIERER_EN	<p>Turns on SR_PWM before PWMP. Related to 46h.</p> <p>1'b1: Enabled 1'b0: Disabled</p>
14	SEL_ZCD_NEG	<p>1'b1: ZCD negative edge effective 1'b0: ZCD positive edge effective</p>
13	CALVOUT_LOW_LMT_TONL	<p>1'b1: Disable the function that makes the SR_PWMs turn off after the PWMP pins when READ_VOUT, bits[8:1] exceeds CALVOUT_LOW_LVL, bits[5:0] 1'b0: Enable the SR_PWMs to always turn off after the PWMPs</p>
12	RM_VOUTLOW_SS_TONLOW	<p>1'b1: Disable the turn off later function during the V<sub>OUT</sub> low stage. The V<sub>OUT</sub> low area (VOSEN &lt; level, t<sub>ON</sub> keeps TON_MIN_LIM) during soft start is not included in TONLL or TONL 1'b0: Enable the SR_PWM pins to turn off after the PWMP pins</p>
11:8	TON_ZCDLOOP_DEC	<p>If ZCDLOOP_LATCHTON_EN is enabled, t<sub>ON</sub> is fixed to the t<sub>ON</sub> value at the 256th cycle. 5ns/LSB. t<sub>ON</sub> can be calculated with the following equation:</p> $t_{ON} - \text{TON\_ZCDLOOP\_DEC} \times 5\text{ns}$
7	RESERVED	Reserved. R/W bits are available, but do not change the device.
6	ZCD1_EN	<p>Enables ZCD1.</p> <p>1'b1: Enabled 1'b0: Disabled</p>
5	ZCD2_EN	<p>Enables ZCD2.</p> <p>1'b1: Enabled 1'b0: Disabled</p>

4	SR_ZCD_SEPARATE	1'b1: ZCD2 = ZCD2 pin 1'b0: ZCD2 = ZCD1 pin
3:0	RESERVED	Reserved. R/W bits are available, but do not change the device.

### STORE\_ALL (15h)

The STORE\_ALL command instructs the PMBus/I<sup>2</sup>C slave device to copy the R/W contents from the Page 0 registers of the operating memory to the matching locations in the MTP when the command is sent for Page 0, Page 1, or Page 3 (not for Page 2).

This command can be used while the device is outputting power.

This command is write-only. There is no data byte for this command. Other unused MTP addresses are written to 0.

### RESTORE\_ALL (16h)

The RESTORE\_ALL command instructs the PMBus/I<sup>2</sup>C slave device to copy the contents of the MTP to the matching locations in the operating memory. The values in the operating memory are overwritten by the value retrieved from the MTP. Any items that do not have matching locations in the operating memory are ignored.

This command cannot be used while the device is outputting power, unless MFR\_MTP\_COPY\_EN (register 07h, bit[0] on Page 0) is set to 1.

This command is write-only. There is no data byte for this command.

### STORE\_USER\_ALL (17h)

The STORE\_USER\_ALL command instructs the PMBus/I<sup>2</sup>C slave device to copy the read and write Page 0 registers of the operating memory (except the trim registers) to the matching locations in the MTP (inside MTP address 8'h00 to 8'hDF) when the command is sent for Page 0, Page 1, or Page 3 (not for Page 2).

This command can be used while the device is outputting power.

This command is write-only. There is no data byte for this command. Other unused MTP addresses inside the MTP addresses 8'h00 to 8'hDF are written to 0.

### RESTORE\_USER\_ALL (18h)

The RESTORE\_USER\_ALL command instructs the PMBus/I<sup>2</sup>C slave device to copy the R/W contents of the MTP addresses 8'h00 to 8'hDF to the matching locations in the operating memory. The values in the operating memory are overwritten by the value retrieved from the MTP. Any items that do not have matching locations in the operating memory are ignored.

This command cannot be used while the device is outputting power, unless MFR\_MTP\_COPY\_EN (register 07h, bit[0] on Page 0) is set to 1.

This command is write-only. There is no data byte for this command.

### MFR\_VOUT\_SEL (19h)

The MFR\_VOUT\_SEL command configures VOUT\_OVP\_MAX, OVP\_VID, UVP\_VID, UVP\_MIN, and VOUT\_SKIP, then compares these values to the VOSEN pin.

Command	MFR_VOUT_SEL															
Format	Unsigned binary															
Bit	15	14	13	12	11	10	9	8	7	6	5	4	3	2	1	0
Access	R/W	R/W	R/W	R/W	R/W	R/W	R/W	R/W	R/W	R/W	R/W	R/W	R/W	R/W	R/W	R/W
Function				OVP_MAX			OVP_VID		UVP_VID		UVP_MIN		SKIP_H		SKIP_L	

Bits	Bit Name	Description
15:13	RESERVED	Reserved. R/W bits are available, but do not change the device.
12:10	OVP_MAX_LVL_SEL	See the tables below for more information. The V <sub>REF</sub> level in OVP_VID, UVP_VID, and VOUT_SKIP is the V <sub>OUT</sub> reference DAC output (e.g. 21h, bits[7:0] x 6.25mV).
9:8	OVP_VID_LVL_SEL	
7:6	UVP_VID_LVL_SEL	
5:4	UVP_MIN_LVL_SEL	
3:2	VOUT_SKIP_H_SEL	
1:0	VOUT_SKIP_L_SEL	

OVP_MAX_LVL_SEL	0	1	2	3	4	5	6	7
OVP_MAX Level (V)	1	1.1	1.2	1.3	1.4	1.5	1.6	1.7

Level Select	0	1	2	3
OVP_VID_LVL_SEL, OVP_VID level (V)	140% of V <sub>REF</sub>	130% of V <sub>REF</sub>	120% of V <sub>REF</sub>	110% of V <sub>REF</sub>
UVP_VID_LVL_SEL, UVP_VID level (V)	90% of V <sub>REF</sub>	80% of V <sub>REF</sub>	70% of V <sub>REF</sub>	60% of V <sub>REF</sub>
UVP_MIN_LVL_SEL, UVP_MIN level (V)	0.3	0.4	0.5	0.6
VOUT_SKIP_H_SEL, VOUT_SKIP_H level (V)	V <sub>REF</sub> + 50mV	V <sub>REF</sub> + 40mV	V <sub>REF</sub> + 30mV	V <sub>REF</sub> + 20mV
VOUT_SKIP_L_SEL, VOUT_SKIP_L level (V)	V <sub>REF</sub> + 40mV	V <sub>REF</sub> + 30mV	V <sub>REF</sub> + 20mV	V <sub>REF</sub> + 10mV

### MFR\_IOUT\_SEL (1Ah)

The MFR\_IOUT\_SEL command configures the light-load levels (CMP\_CS1\_EXITSKIP and CMP\_CS1\_ENTERFREQ), which are compared to the CS1 pin. After CS1 exceeds CMP\_CS1\_EXITSKIP, the DrMOS stops skipping (SKIP\_DRMOS\_EN). When CS1 drops below CMP\_CS1\_ENTERFREQ, the SR\_PWMs skip after a delay (SKIP\_SR\_PWM\_EN) for a configurable number of PWM periods.

Command	MFR_IOUT_SEL															
Format	Unsigned binary															
Bit	15	14	13	12	11	10	9	8	7	6	5	4	3	2	1	0
Access	R/W	R/W	R/W	R/W	R/W	R/W	R/W	R/W	R/W	R/W	R/W	R/W	R/W	R/W	R/W	R/W
Function																

Bits	Bit Name	Description
15:11	RESERVED	Reserved. R/W bits are available, but do not change the device.
10:9	CMP_CS1_EXITSKIP_GAIN	Selects the current level's analog buffer gain when exiting skip mode. 2'b0x: Gain = 1 2'b10: Gain = 2 2'b11: Gain = 4
8	CMP_CS1_ENTERFREQ_GAIN	Selects the current level's analog buffer gain when entering skip mode. 1'b1: Gain = 2 1'b0: Gain = 1
7:4	CMP_CS1_EXITSKIP_SEL	The final level is determined by bits[7:4], multiplied by the buffer gain.
3:0	CMP_CS1_ENTERFREQ_SEL	The final level is determined by bits[3:0], multiplied by the buffer gain.

Table 3 lists the values for CMP\_CS1\_EXITSKIP. Table 4 lists the values for CMP\_CS1\_ENTER.

**Table 3: CMP\_CS1\_EXITSKIP Values**

CMP_CS1_EXITSKIP (V)	CMP_CS1_EXITSKIP_GAIN, Bits[10:9]		
	0 or 1	2	3
CMP_CS1_EXITSKIP_SEL, Bits[3:0]	Mul 1	Mul 2	Mul 4
0	0.08	0.160	0.320
1	0.085	0.170	0.340
2	0.09	0.180	0.360
3	0.095	0.190	0.380
4	0.1	0.200	0.400
5	0.105	0.210	0.420
6	0.11	0.220	0.440
7	0.115	0.230	0.460
8	0.12	0.240	0.480
9	0.125	0.250	0.500
10	0.13	0.260	0.520
11	0.135	0.270	0.540
12	0.14	0.280	0.560
13	0.145	0.290	0.580
14	0.15	0.300	0.600
15	0.155	0.310	0.620

**Table 4: CMP\_CS1\_ENTER Values**

CMP_CS1_ENTERFREQ (V)	CMP_CS1_ENTERFREQ_GAIN, Bit[8]	
	0	1
CMP_CS1_ENTERFREQ_SEL, Bits[3:0]	Mul 1	Mul 2
0	0.03	0.06
1	0.035	0.070
2	0.04	0.080
3	0.045	0.090
4	0.05	0.100
5	0.055	0.110
6	0.06	0.120
7	0.065	0.130
8	0.07	0.140
9	0.075	0.150
10	0.08	0.160
11	0.085	0.170
12	0.09	0.180
13	0.095	0.190
14	0.1	0.200
15	0.105	0.21

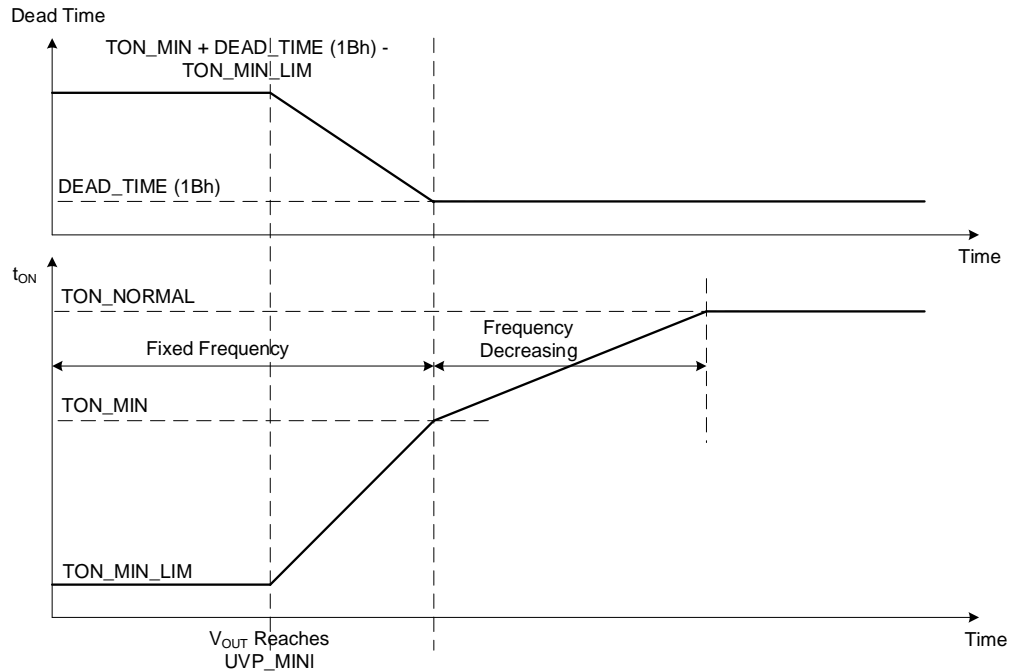
### DEAD\_TIME (1Bh)

The DEAD\_TIME command sets the normal working dead time. During soft start,  $t_{ON}$  begins at TON\_MIN\_LIM (1Fh), bits[13:8], and the dead time is (TON\_MIN (1Ch) + DEAD\_TIME (1Bh) - TON\_MIN\_LIM). After  $V_{OUT}$  reaches UVP\_MIN and the KEEP\_TON\_MIN\_LMT\_SS bit (06h, bit[0]) is set high,  $t_{ON}$  starts increasing. At the same time, the dead time decreases but remains at the same frequency (see Figure 15 on page 31).

If KEEP\_TON\_MIN\_LMT\_SS is not enabled, then  $t_{ON}$  and the dead time start immediately. When  $t_{ON}$  reaches TON\_MIN, the dead time is DEAD\_TIME (1Bh). The dead time remains at this value,  $t_{ON}$  keeps ramping until  $t_{ON}$  equals TON\_NORMAL (1Eh), and soft start completes. For more details on the  $t_{ON}$  increasing speed, see the PRISETBLK\_WEIGHT\_SS section on page 36.

Command	DEAD_TIME							
Format	Unsigned binary							
Bit	7	6	5	4	3	2	1	0
Access	R	R/W	R/W	R/W	R/W	R/W	R/W	R/W
Function	X	DEAD_TIME						

Bits	Bit Name	Description
7	RESERVED	Not defined. Read-only.
6:0	DEAD_TIME	The real normal working dead time = ([6:0] + 1) x 5ns.


**Figure 15: Soft Start  $t_{ON}$  and Dead Time**

### TON\_MIN (1Ch)

The TON\_MIN command sets the minimum  $t_{ON}$  in the zero-current detection (ZCD) loop and primary closed loop. It is also the end of soft start's first stage. For more details, see the DEAD\_TIME (1Bh) section on page 30.

Command	TON_MIN																		
Format	Unsigned binary																		
Bit	15	14	13	12	11	10	9	8	7	6	5	4	3	2	1	0			
Access	R	R	R	R	R	R	R/W	R/W	R/W	R/W	R/W	R/W	R/W	R/W	R/W	R/W			
Function	X	X	X	X	X	X	TON_MIN												

Bits	Bit Name	Description
15:10	RESERVED	Not defined. Read-only.
9:0	TON_MIN	5ns/LSB.

### TON\_MAX (1Dh)

The TON\_MAX command sets the maximum  $t_{ON}$ . In the zero-current detection (ZCD) loop and primary closed loop,  $t_{ON}$  is adjusted according to ZCD and the set signals. The adjusting process is limited between TON\_MIN (1Ch) and TON\_MAX (1Dh).

Command	TON_MAX																		
Format	Unsigned binary																		
Bit	15	14	13	12	11	10	9	8	7	6	5	4	3	2	1	0			
Access	R	R	R	R	R	R	R/W	R/W	R/W	R/W	R/W	R/W	R/W	R/W	R/W	R/W			
Function	X	X	X	X	X	X	TON_MAX												

Bits	Bit Name	Description
15:10	RESERVED	Not defined. Read-only.
9:0	TON_MAX	5ns/LSB.

**TON\_NORMAL (1Eh)**

The TON\_NORMAL command sets the normal working  $t_{ON}$ . It is also the final  $t_{ON}$  for soft start, and the  $t_{ON}$  for open-loop operation.

<b>Command</b>	TON_NORMAL																		
<b>Format</b>	Unsigned binary																		
<b>Bit</b>	15	14	13	12	11	10	9	8	7	6	5	4	3	2	1	0			
<b>Access</b>	R	R	R	R	R	R	R/W	R/W	R/W	R/W	R/W	R/W	R/W	R/W	R/W	R/W			
<b>Function</b>	X	X	X	X	X	X	TON_NORMAL												

Bits	Bit Name	Description
15:10	RESERVED	Not defined. Read-only.
9:0	TON_NORMAL	The real $t_{ON}$ is $(TON\_NORMAL + 1) \times 5ns$ .

**TON\_MIN\_LIM (1Fh)**

The TON\_MIN\_LIM command sets the starting  $t_{ON}$  for PWM during soft start.

<b>Command</b>	TON_MIN_LIM																
<b>Format</b>	Unsigned binary																
<b>Bit</b>	15	14	13	12	11	10	9	8	7	6	5	4	3	2	1	0	
<b>Access</b>	R/W	R/W	R/W	R/W	R/W	R/W	R/W	R/W	R/W	R/W	R/W	R/W	R/W	R/W	R/W	R/W	
<b>Function</b>			TON_MIN_LIM														

Bits	Bit Name	Description
15:14	RESERVED	Reserved. R/W bits are available, but do not change the device.
13:8	TON_MIN_LIM	The beginning of the soft-start pulse width. Only used during soft start. The pulse width can be calculated with the following equation: $\text{Pulse width} = (TON\_MIN\_LIM + 1) \times 5ns$
7:0	RESERVED	Reserved. R/W bits are available, but do not change the device.

**MFR\_REF\_SR\_CTRL (21h)**

The MFR\_REF\_SR\_CTRL command configures the  $V_{OUT}$  DAC input (also called VID or  $V_{REF}$ ) and controls its slew rate.  $V_{REF}$  works as a reference in primary closed-loop operation, and is the base reference for OVP\_VID and UVP\_VID.

<b>Command</b>	MFR_REF_SR_CTRL															
<b>Format</b>	Unsigned binary															
<b>Bit</b>	15	14	13	12	11	10	9	8	7	6	5	4	3	2	1	0
<b>Access</b>	R/W	R/W	R/W	R/W	R/W	R/W	R/W	R/W	R/W	R/W	R/W	R/W	R/W	R/W	R/W	R/W
<b>Function</b>		VID_COUNTING_STEP						MFR_REF_SET								

Bits	Bit Name	Description
15	CLK_COUNTING_SEL	Selects the clock counting rate. 1'b1: 1 $\mu$ s 1'b0: 0.1 $\mu$ s
14:8	VID_COUNTING_STEP	Every VID_COUNTING_STEP $\times$ (1 $\mu$ s or 0.1 $\mu$ s) time period, VID increases or decreases by 6.25mV.
7:0	MFR_REF_SET	VID (V) = MFR_REF_SET $\times$ 6.25mV. 6.25mV/LSB.



**VOUT\_TRIM (22h)**

The VOUT\_TRIM command sets the value to compensate the system error between  $V_{REF}$  and VOSEN. The error used for the DC loop is  $(21h, bits[7:0] \times 4 + VOUT\_TRIM - VOUT\_SENSE)$ . VOUT\_SENSE is the 10-bit ADC sampling result of VOSEN.

Command	VOUT_TRIM							
Format	Unsigned binary							
Bit	7	6	5	4	3	2	1	0
Access	R	R	R	R	R/W	R/W	R/W	R/W
Function	X	X	X	X	VOUT_TRIM			

Bits	Bit Name	Description
7:4	RESERVED	Not defined. Read-only.
3:0	VOUT_TRIM	1.5625mV/LSB.

**TRANSFORMER\_RATIO (25h)**

The TRANSFORMER\_RATIO command records the transformer ratio of the specific application.

Command	TRANSFORMER_RATIO															
Format	Unsigned binary															
Bit	15	14	13	12	11	10	9	8	7	6	5	4	3	2	1	0
Access	R/W	R/W	R/W	R/W	R/W	R/W	R/W	R/W	R/W	R/W	R/W	R/W	R/W	R/W	R/W	R/W
Function																

Bits	Bit Name	Description
15:4	RESERVED	Reserved. R/W bits are available, but do not change the device.
3:0	TRANSFORMER_RATIO	Records the transformer ratio.

Table 5 lists the values for 25h, bits[3:0], as well as their respective transformer ratios.

**Table 5: Transformer Ratios**

25h, Bits[3:0]	0	1	2	3	4	5	6	7	8	9	10	11	12	13	14	15
Transformer Ratio	-	1	1/2	1/3	1/4	1/5	1/6	1/7	1/8	1/9	1/10	1/11	1/12	1/13	1/14	1/15

**WEIGHT\_ZCD (29h)**

The WEIGHT\_ZCD command defines the positive and negative weights used when adjusting the frequency set by zero-current detection (ZCD) functionality. Assume  $t_{ON}$  changes from INITIAL\_TON (ns) to FINAL\_TON (ns), and the dead time remains the same (DEAD\_TIME (ns)). The adjusting time can be calculated with Equation (2):

$$TIME(ns) = \frac{256 \times 5}{WEIGHT\_ABS} \times n \times (TON\_INIT\_D + DT\_D + 2 + \frac{n-1}{2})(ns) \quad (2)$$

Where all variables are unitless. The variables are defined below:

- $TON\_INIT\_D = INITIAL\_TON (ns) / 5ns - 1$
- $TON\_FIN\_D = FINAL\_TON (ns) / 5ns - 1$
- $n = TON\_FIN\_D - TON\_INIT\_D + 1$
- $DT = DEAD\_TIME (ns) / 5ns - 1$
- WEIGHT\_ABS is the absolute value of WEIGHTN\_ZCD or WEIGHTP\_ZCD

The time above does not include the 256 PWM periods during which  $t_{ON}$  stays within the  $t_{ON}$  hysteresis (0Bh, bits[10:8]) for  $t_{ON}$  latch (0Ch, bit[5]).

<b>Command</b>	WEIGHT_ZCD																
<b>Format</b>	Direct																
<b>Bit</b>	15	14	13	12	11	10	9	8	7	6	5	4	3	2	1	0	
<b>Access</b>	R/W	R/W	R/W	R/W	R/W	R/W	R/W	R/W	R/W	R/W	R/W	R/W	R/W	R/W	R/W	R/W	
<b>Function</b>	WEIGHTN_ZCD									WEIGHTP_ZCD							

Bits	Bit Name	Description
15:8	WEIGHTN_ZCD	When zero-current detection (ZCD) occurs in a valid ZCD time (0Bh), $t_{ON}$ decreases by this value. Cannot be set to 0 or 0xFF.
7	RESERVED	Reserved. R/W bits are available, but do not change the device.
6:0	WEIGHTP_ZCD	When ZCD does not occur in a valid ZCD time (0Bh), $t_{ON}$ increases by this value. Cannot be set to 0 or 0x01.

### SR\_PWM\_SETA\_PRIDRV (2Ah)

The SR\_PWM\_SETA\_PRIDRV command controls the SR\_PWM setting and sets the simulated primary driver chip delay. For more information, see the CTRL\_PWM section on page 19.

<b>Command</b>	SR_PWM_SETA_PRIDRV															
<b>Format</b>	Unsigned binary															
<b>Bit</b>	15	14	13	12	11	10	9	8	7	6	5	4	3	2	1	0
<b>Access</b>	R/W	R/W	R/W	R/W	R/W	R/W	R/W	R/W	R/W	R/W	R/W	R/W	R/W	R/W	R/W	R/W
<b>Function</b>	PWM_NEG_FIXED														PRI_DRV_DLY_SIM	

Bits	Bit Name	Description
15:12	PWM_NEG_FIXED	If SR_FIXED_DEC_EN = 1 and SR_FIXED_EXT_EN = 0, SR_PWM shuts off before the PWMP pin of its own phase, and the change is (PWM_NEG_FIXED) x 5ns. If SR_FIXED_EXT_EN = 1 and SR_FIXED_DEC_EN = 0 or 1, SR_PWM shuts off after PWMP, and the change is (PWM_NEG_FIXED + 1) x 5ns.
11:6	RESERVED	Reserved. R/W bits are available, but do not change the device.
5	RM_PWMDEC_REDUND	Digital internal use.
4	PWM_EXT_DN_CFG	Digital internal use.
3:0	PRI_DRV_DLY_SIM	Delays the internal PWMPs from the output PWMPs. The time length simulates the primary-drive chip delay. The delay time can be calculated with the following equation:  Delay time = (bits[3:0] + 1) x 5ns

### SS\_SRNEG\_SET (2Bh)

The SS\_SRNEG\_SET command sets the time length that determines when the SR\_PWM pin turns off (before or after PWMP during soft start). This register works with 5Ah and 5Bh. For more information, see the CTRL\_PWM section on page 19.

<b>Command</b>	SS_SRNEG_SET															
<b>Format</b>	Unsigned binary															
<b>Bit</b>	15	14	13	12	11	10	9	8	7	6	5	4	3	2	1	0
<b>Access</b>	R/W	R/W	R/W	R/W	R/W	R/W	R/W	R/W	R/W	R/W	R/W	R/W	R/W	R/W	R/W	R/W
<b>Function</b>																

Bits	Bit Name	Description
15:12	SRNEG_SS_TONHH_DEC	If $t_{ON} \geq TON\_LVL\_SS\_HH$ during soft start, then turn off SR_PWM before PWMP by SRNEG_SS_TONHH_DEC x 5ns.

11:8	SRNEG_SS_TONH_DEC	If $\text{TON\_LVL\_SS\_HH} > t_{\text{ON}} \geq \text{TON\_LVL\_SS\_H}$ , then turn off SR_PWM before PWMP by SRNEG_SS_TONH_DEC x 5ns.
7:4	SRNEG_SS_TONL_DLY	If $\text{TON\_LVL\_SS\_L} > t_{\text{ON}} \geq \text{TON\_LVL\_SS\_LL}$ during soft start, then turn off SR_PWM after PWMP by $(\text{SRNEG\_SS\_TONL\_DLY} + 1) \times 5\text{ns}$ .
3:0	SRNEG_SS_TONLL_DLY	If $t_{\text{ON}} < \text{TON\_LVL\_SS\_LL}$ , then turn off SR_PWM after PWMP by $(\text{SR\_NEG\_SS\_TONLL\_DLY} + 1) \times 5\text{ns}$ .

### SR\_PWM\_SETB (2Ch)

The SR\_PWM\_SETB command controls the SR\_PWM pins' settings. For more information, see the CTRL\_PWM section on page 19.

<b>Command</b>	SR_PWM_SETB															
<b>Format</b>	Unsigned binary															
<b>Bit</b>	15	14	13	12	11	10	9	8	7	6	5	4	3	2	1	0
<b>Access</b>	R/W	R/W	R/W	R/W	R/W	R/W	R/W	R/W	R/W	R/W	R/W	R/W	R/W	R/W	R/W	R/W
<b>Function</b>				SR_PWM_NEG_ADJ				SR_PWM_POS_DECH				SR_PWM_POS_DECL				

Bits	Bit Name	Description
15:13	RESERVED	Reserved. R/W bits are available, but do not change the device
12:8	SR_PWM_NEG_ADJ	SR_PWM shuts off before or after PWMP. The time length between SR_PWM's negative edge and the other phase's PWMP positive edge is $(\text{SR\_PWM\_NEG\_ADJ} + 1) \times 5\text{ns}$ .
7:4	SR_PWM_POS_DECH	When $\text{SR\_POS\_DEC\_EN} = 1$ under conditions other than light load, SR_PWM turns on after PWMP by $(\text{SR\_PWM\_POS\_DECH} + 1) \times 5\text{ns}$ (the MP2981's SKIP_EN pin is low).
3:0	SR_PWM_POS_DECL	When $\text{SR\_POS\_DEC\_EN} = 1$ under light-load conditions, SR_PWM turns on after PWMP by $(\text{SR\_PWM\_POS\_DECL} + 1) \times 5\text{ns}$ (the the MP2981's SKIP_EN pin is high).

### MFR\_SLOPE\_SR (2Dh)

The MFR\_SLOPE\_SR command defines the capacitor's slope charge number and current.

<b>Command</b>	MFR_SLOPE_SR																
<b>Format</b>	Unsigned binary																
<b>Bit</b>	15	14	13	12	11	10	9	8	7	6	5	4	3	2	1	0	
<b>Access</b>	R	R	R	R	R	R	R	R/W	R/W	R/W	R/W	R/W	R/W	R/W	R/W	R/W	
<b>Function</b>	X	X	X	X	X	X	X							SLOPE_CURRENT			

Bits	Bit Name	Description
15:9	RESERVED	Not defined. Read-only.
8:6	SLOPE_CAP_SET	The parallel capacitor number is $(8 - \text{SLOPE\_CAP\_SET})$ , and each capacitor is 3.7pF.
5:0	SLOPE_CURRENT	Slope charge current. 250nA/LSB.

### MFR\_SLOPE\_BLK (2Eh)

The MFR\_SLOPE\_BLK command defines the slope discharge time.

<b>Command</b>	MFR_SLOPE_BLK															
<b>Format</b>	Unsigned binary															
<b>Bit</b>	15	14	13	12	11	10	9	8	7	6	5	4	3	2	1	0
<b>Access</b>	R	R	R/W	R/W	R/W	R/W	R/W	R/W	R/W	R/W	R/W	R/W	R/W	R/W	R/W	R/W
<b>Function</b>	X	X	MFR_SLOPE_BLK													

Bits	Bit Name	Description
15:14	RESERVED	Not defined. Read-only.
13:8	MFR_SLOPE_BLK	Discharge slope during dead time, excluding the first 5ns of dead time and the first (MFR_SLOPE_BLK + 1) x 5ns of the PWMP pulses.
7:0	RESERVED	Reserved. R/W bits are available, but do not change the device.

### PRISSETBLK\_WEIGHT\_SS (2Fh)

The PRISSETBLK\_WEIGHT\_SS command sets the blanking time of the primary set loop (primary closed loop). It is a time length at the beginning of the PWMP period. During this time,  $t_{ON}$  does not adjust based on the set loop. This command also configures how quickly  $t_{ON}$  increases during soft start. There are two  $t_{ON}$  increasing stages: fixed frequency and decreasing frequency. The first-stage cost time ( $t_{SS1}$ ) can be calculated with Equation (3):

$$t_{SS1} = \frac{(TON\_MIN + DEAD\_TIME + 1) \times 256 \times 5ns}{WEIGHT\_SS} \times (TON\_MIN - TON\_MIN\_LIM) \quad (3)$$

Where DEAD\_TIME = 1Bh, bits[6:0]; TON\_MIN\_LIM = 1Fh, bits[13:8]; and WEIGHT\_SS = 2Fh, bits[6:0].

The second-stage cost time ( $t_{SS2}$ ) can be estimated with Equation (4):

$$t_{SS2} = \frac{u \times n + \frac{(n-1) \times n}{2} + (DEAD\_TIME + 1) \times n}{WEIGHT\_SS} \times 256 \times 5ns \quad (4)$$

Where  $u = TON\_MIN = 1Ch$ , bits[9:0];  $n = TON\_NORMAL - TON\_MIN$ ; and  $TON\_NORMAL = 1Eh$ , bits[9:0].

Command	PRISSETBLK_WEIGHT_SS																
Format	Unsigned binary																
Bit	15	14	13	12	11	10	9	8	7	6	5	4	3	2	1	0	
Access	R	R	R/W	R/W	R/W	R/W	R/W	R/W	R/W	R/W	R/W	R/W	R/W	R/W	R/W	R/W	
Function	X	X	BLK_TIME														

Bits	Bit Name	Description
15:14	RESERVED	Not defined. Read-only.
13:8	BLK_TIME	Adjusts the blank PWMP $t_{ON}$ (only primary closed loop) at the beginning of the PWMP period. 5ns/LSB.
7	RESERVED	Reserved. R/W bits are available, but do not change the device.
6:0	WEIGHT_SS	Accumulation step during soft start.

### WEIGHT\_2\_1 (30h)

The WEIGHT\_2\_1 command configures the value at which  $t_{ON}$  increases in the primary closed loop when the set signal is received during the last two quarters of the remaining PWMP pulse, and BLK\_TIME (2Fh) is disabled.

Command	WEIGHT_2_1																	
Format	Unsigned binary																	
Bit	15	14	13	12	11	10	9	8	7	6	5	4	3	2	1	0		
Access	R/W	R/W	R/W	R/W	R/W	R/W	R/W	R/W	R/W	R/W	R/W	R/W	R/W	R/W	R/W	R/W		
Function		WEIGHT_2									WEIGHT_1							

Bits	Bit Name	Description
15	RESERVED	Reserved. R/W bits are available, but do not change the device.
14:8	WEIGHT_2	Value at which the primary closed loop $t_{ON}$ increases when the set signal occurs during the third quarter of the remaining PWMP period (PWMP with BLK_TIME is disabled).
7	RESERVED	Reserved. R/W bits are available, but do not change the device.
6:0	WEIGHT_1	Value at which the primary closed loop $t_{ON}$ increases when the set signal is received during the final quarter (not including the last 5ns) of the remaining PWMP period (PWMP with BLK_TIME is disabled).

### WEIGHT\_4\_3 (31h)

The WEIGHT\_4\_3 command configures the value at which  $t_{ON}$  increases in the primary closed loop when the set signal is received on the first two quarters of the remaining PWMP pulse, not including BLK\_TIME (2Fh).

Command	WEIGHT_4_3															
Format	Unsigned binary															
Bit	15	14	13	12	11	10	9	8	7	6	5	4	3	2	1	0
Access	R/W	R/W	R/W	R/W	R/W	R/W	R/W	R/W	R/W	R/W	R/W	R/W	R/W	R/W	R/W	R/W
Function	WEIGHT_4								WEIGHT_3							

Bits	Bit Name	Description
15	RESERVED	Reserved. R/W bits are available, but do not change the device.
14:8	WEIGHT_4	Value at which the primary closed loop $t_{ON}$ increases when the set signal is received during the first quarter of the remaining PWMP period (PWMP with BLK_TIME is disabled).
7	RESERVED	Reserved. R/W bits are available, but do not change the device.
6:0	WEIGHT_3	Value at which the primary closed loop $t_{ON}$ increases when the set signal is received during the second quarter of the remaining PWMP period (PWMP with BLK_TIME is disabled).

### WEIGHT\_OCSPK\_L\_N (32h)

The WEIGHT\_OCSPK\_L\_N command defines the  $t_{ON}$  decreasing weight of the primary closed loop and OCSPK\_L.

Command	WEIGHT_OCSPK_L_N															
Format	Direct															
Bit	15	14	13	12	11	10	9	8	7	6	5	4	3	2	1	0
Access	R/W	R/W	R/W	R/W	R/W	R/W	R/W	R/W	R/W	R/W	R/W	R/W	R/W	R/W	R/W	R/W
Function	WEIGHT_OCSPK_L								WEIGHT_N							

Bits	Bit Name	Description
15:8	WEIGHT_OCSPK_L	Value at which $t_{ON}$ decreases when an over-current (OC) spike occurs on CS2 (OCSPK_L).
7:0	WEIGHT_N	Value at which the primary closed-loop $t_{ON}$ decreases when no set pulses appear during the PWMP period while BLK_TIME is disabled.

**WEIGHT\_OCSPK\_INC (33h)**

The WEIGHT\_OCSPK\_INC command sets the  $t_{ON}$  recovering (increasing) value after an over-current (OC) spike on CS1 or CS2 (OCSPK\_H or OCSPK\_L, respectively) goes low.

<b>Command</b>	WEIGHT_OCSPK_INC															
<b>Format</b>	Unsigned binary															
<b>Bit</b>	15	14	13	12	11	10	9	8	7	6	5	4	3	2	1	0
<b>Access</b>	R/W	R/W	R/W	R/W	R/W	R/W	R/W	R/W	R/W	R/W	R/W	R/W	R/W	R/W	R/W	R/W
<b>Function</b>	WEIGHT_OCSPK_H_INC								WEIGHT_OCSPK_L_INC							

Bits	Bit Name	Description
15	RESERVED	Reserved. R/W bits are available, but do not change the device.
14:8	WEIGHT_OCSPK_H_INC	Value at which $t_{ON}$ recovers (increases) after an over-current (OC) spike on CS1 (OCSPK_H) goes low.
7	RESERVED	Reserved. R/W bits are available, but do not change the device.
6:0	WEIGHT_OCSPK_L_INC	Value at which $t_{ON}$ recovers (increases) after an OC spike on CS2 (OCSPK_L) goes low.

**MFR\_VIN\_DROP\_SET (34h)**

The MFR\_VIN\_DROP\_SET command configures the two functions when  $V_{IN}$  drops.

<b>Command</b>	MFR_VIN_DROP_SET															
<b>Format</b>	Unsigned binary															
<b>Bit</b>	15	14	13	12	11	10	9	8	7	6	5	4	3	2	1	0
<b>Access</b>	R	R	R	R/W	R/W	R/W	R/W	R/W	R/W	R/W	R/W	R/W	R/W	R/W	R/W	R/W
<b>Function</b>	X	X	X	RESERVED				VINL_VOUTH_DELTA				VODROP_DAC				

Bits	Bit Name	Description
15:13	RESERVED	Not defined. Read-only.
12:8	RESERVED	Reserved. R/W bits are available, but do not change the device.
7:4	VINL_VOUTH_DELTA	When the MP2981's VINSEN drops below VOSEN - VINL_VOUTH_DELTA, the SR_PWM pins start skipping.
3:0	VODROP_DAC	When the MP2981's VINSEN exceeds VOSEN + VODROP_DAC, the SR_PWM pins start generating.

**VIN\_ON (35h)**

The VIN\_ON command defines the levels for  $V_{IN}$  to start working. After  $V_{IN}$  ramps up to VIN\_ON, the MP2981 starts to count START\_DELAY (PROTECT\_DELAY must finish counting before START\_DELAY) and then to generate PWMs. This level should be greater than VIN\_OFF.

<b>Command</b>	VIN_ON															
<b>Format</b>	Unsigned binary															
<b>Bit</b>	15	14	13	12	11	10	9	8	7	6	5	4	3	2	1	0
<b>Access</b>	R	R	R	R	R	R	R	R/W	R/W	R/W	R/W	R/W	R/W	R/W	R/W	R/W
<b>Function</b>	X	X	X	X	X	X	X	VIN_ON								

Bits	Bit Name	Description
15:9	RESERVED	Not defined. Read-only.
8:0	VIN_ON	If $READ\_VIN \leq VIN\_ON$ and the power is off or $READ\_VIN < VIN\_OFF$ at any moment, $V_{IN}$ under-voltage lockout (UVLO) occurs. 0.25V/LSB.

### VIN\_OFF (36h)

The VIN\_OFF command defines the V<sub>IN</sub> level when the device is on and V<sub>IN</sub> starts working. This level should be below VIN\_ON.

Command	VIN_OFF															
Format	Unsigned binary															
Bit	15	14	13	12	11	10	9	8	7	6	5	4	3	2	1	0
Access	R	R	R	R	R	R	R	R/W	R/W	R/W	R/W	R/W	R/W	R/W	R/W	R/W
Function	X	X	X	X	X	X	X	VIN_OFF								

Bits	Bit Name	Description
15:9	RESERVED	Not defined. Read-only.
8:0	VIN_OFF	If READ_VIN ≤ VIN_ON and the power is off or READ_VIN < VIN_OFF at any time, V <sub>IN</sub> under-voltage lockout (UVLO) occurs. 0.25V/LSB.

### IOUT\_CAL\_GAIN (38h)

The IOUT\_CAL\_GAIN command helps calculate READ\_IOUT (8Ch), bits[9:0] (0.25A/LSB). IOUT\_CAL\_GAIN can be calculated with Equation (5):

$$IOUT\_CAL\_GAIN = k_{CS} \times R_{CS} \times \frac{1}{2} \times 3 \times 2^{14} \quad (5)$$

Where k<sub>CS</sub> is the DrMOS current-sense (CS) gain (e.g. if the CS gain is 5μA/A, k<sub>CS</sub> = 5e - 6) (in A/A), and R<sub>CS</sub> is the resistor connected from CS1/CS2 to GND (in Ω).

Command	IOUT_CAL_GAIN															
Format	Unsigned binary															
Bit	15	14	13	12	11	10	9	8	7	6	5	4	3	2	1	0
Access	R	R	R	R	R	R	R/W	R/W	R/W	R/W	R/W	R/W	R/W	R/W	R/W	R/W
Function	X	X	X	X	X	X	IOUT_CAL_GAIN									

Bits	Bit Name	Description
15:10	RESERVED	Not defined. Read-only.
9:0	IOUT_CAL_GAIN	These bits help calculate READ_IOUT.

### IOUT\_CAL\_OFFSET (39h)

The IOUT\_CAL\_OFFSET command calculates READ\_IOUT (8Ch), bits[9:0] (0.25A/LSB). It is in signed binary format and uses complements. READ\_IOUT can be estimated with Equation (6):

$$READ\_IOUT = \frac{IOUT\_SENSE \times 205}{2 \times IOUT\_CAL\_GAIN} + IOUT\_CAL\_OFFSET \quad (6)$$

Where IOUT\_SENSE is the 10-bit ADC sampling result on the IMON pin.

Command	IOUT_CAL_OFFSET															
Format	Signed binary															
Bit	15	14	13	12	11	10	9	8	7	6	5	4	3	2	1	0
Access	R	R	R	R	R	R	R	R	R	R	R/W	R/W	R/W	R/W	R/W	R/W
Function	X	X	X	X	X	X	X	X	X	X	IOUT_CAL_OFFSET					

Bits	Bit Name	Description
15:6	RESERVED	Not defined. Read-only.

5:0	IOUT_CAL_OFFSET	Calculates READ_IOUT.
-----	-----------------	-----------------------

### VIN\_CAL\_GAIN (3Ah)

The VIN\_CAL\_GAIN command calculates READ\_VIN (88h), bits[9:0] (0.125V/LSB). VIN\_CAL\_GAIN can be calculated with Equation (7):

$$VIN\_CAL\_GAIN = GAIN \times 2^{14} \quad (7)$$

Where GAIN is the  $V_{IN}$  divider ratio (e.g. if a 48V  $V_{IN}$  results in 1V on the MP2981's VINSEN pin with the resistor divider, then  $GAIN = 1/48$ ). READ\_VIN can be estimated with Equation (8):

$$READ\_VIN = \frac{VIN\_SENSE \times 205}{VIN\_CAL\_GAIN} \quad (8)$$

Where VIN\_SENSE is the 10-bit ADC sampling result on the VINSEN pin.

Command	VIN_CAL_GAIN																		
Format	Unsigned binary																		
Bit	15	14	13	12	11	10	9	8	7	6	5	4	3	2	1	0			
Access	R	R	R	R	R	R	R/W	R/W	R/W	R/W	R/W	R/W	R/W	R/W	R/W	R/W			
Function	X	X	X	X	X	X	VIN_CAL_GAIN												

Bits	Bit Name	Description
15:10	RESERVED	Not defined. Read-only.
9:0	VIN_CAL_GAIN	Calculates READ_VIN.

### VOUT\_CAL\_GAIN (3Bh)

The VOUT\_CAL\_GAIN command helps calculate READ\_VOUT (8Bh), bits[8:0] (62.5mV/LSB). VOUT\_CAL\_GAIN can be calculated with Equation (9):

$$VOUT\_CAL\_GAIN = GAIN \times 2^{11} \quad (9)$$

Where GAIN is the  $V_{OUT}$  divider ratio (e.g. if 6V  $V_{OUT}$  results in 1V on the VOSEN pin with the resistor divider, then  $GAIN = 1/6$ ).

READ\_VOUT can then be calculated with Equation (10):

$$READ\_VOUT = \frac{VOUT\_SENSE \times 205}{4 \times VOUT\_CAL\_GAIN} \quad (10)$$

Where VOUT\_SENSE is the 10-bit ADC sampling result of the VOSEN pin.

Command	VOUT_CAL_GAIN																		
Format	Unsigned binary																		
Bit	15	14	13	12	11	10	9	8	7	6	5	4	3	2	1	0			
Access	R	R	R	R	R	R	R/W	R/W	R/W	R/W	R/W	R/W	R/W	R/W	R/W	R/W			
Function	X	X	X	X	X	X	VOUT_CAL_GAIN												

Bits	Bit Name	Description
15:10	RESERVED	Not defined. Read-only.
9:0	VOUT_CAL_GAIN	Helps calculated READ_VOUT.



**VIN\_OV\_FLT\_LIM (40h)**

The VIN\_OV\_FLT\_LIM command sets the V<sub>IN</sub> over-voltage protection (OVP) fault limit. Compared to READ\_VIN (88h), bits[9:1].

Command	VIN_OV_FLT_LIM															
Format	Unsigned binary															
Bit	15	14	13	12	11	10	9	8	7	6	5	4	3	2	1	0
Access	R	R	R	R	R	R	R	R/W	R/W	R/W	R/W	R/W	R/W	R/W	R/W	R/W
Function	X	X	X	X	X	X	X	VIN_OV_FLT_LIM								

Bits	Bit Name	Description
15:9	RESERVED	Not defined. Read-only.
8:0	VIN_OV_FLT_LIM	V <sub>IN</sub> over-voltage protection (OVP) limit. 0.25V/LSB.

**TEMP\_GAIN\_OFFSET (42h)**

The TEMP\_GAIN\_OFFSET command calculates READ\_TEMP (8Dh), bits[7:0] (1°C/LSB). MFR\_TEMP\_GAIN is an unsigned binary, while MFR\_TEMP\_OFFSET is a signed binary that uses complement format. READ\_TEMP is calculated from the TEMP pin, and reflects the DrMOS temperature (T (°C)). Assuming the TEMP pin voltage (V) = k x (T(°C) - a), READ\_TEMP can be estimated with Equation (11):

$$READ\_TEMP = \frac{TEMP\_PIN\_SENSE \times MFR\_TEMP\_GAIN}{512} + MFR\_TEMP\_OFFSET \quad (11)$$

Where TEMP\_PIN\_SENSE is the 10-bit ADC sampling result on the TEMP pin, and MFR\_TEMP\_GAIN and MFR\_TEMP\_OFFSET can be calculated with Equation (12) and Equation (13), respectively:

$$MFR\_TEMP\_GAIN = \frac{0.8}{k} \quad (12)$$

$$MFR\_TEMP\_OFFSET = a \quad (13)$$

Command	TEMP_GAIN_OFFSET															
Format	Unsigned binary, signed binary															
Bit	15	14	13	12	11	10	9	8	7	6	5	4	3	2	1	0
Access	R/W	R/W	R/W	R/W	R/W	R/W	R/W	R/W	R/W	R/W	R/W	R/W	R/W	R/W	R/W	R/W
Function	MFR_TEMP_GAIN								MFR_TEMP_OFFSET							

Bits	Bit Name	Description
15:8	MFR_TEMP_GAIN	Proportional to the voltage vs. temperature (V-T) line gain. Unsigned binary.
7:0	MFR_TEMP_OFFSET	Proportional to the voltage value when T = 0°C. Signed binary.

**DIETEMP\_GAIN\_OFFSET (43h)**

The DIETEMP\_GAIN\_OFFSET command calculates READ\_DIE\_TEMP (8Eh), bits[7:0] (1°C/LSB). MFR\_DIE\_TEMP\_GAIN is an unsigned binary, while MFR\_DIE\_TEMP\_OFFSET is a signed binary that uses complement format. The MP2981 senses its die temperature on the chip (not the TEMP pin). READ\_DIE\_TEMP can be calculated with the sensed ADC results using Equation (14):

$$READ\_DIE\_TEMP = \frac{DIE\_TEMP\_SENSE \times GAIN}{512} + OFFSET \quad (14)$$

MFR\_DIE\_TEMP\_GAIN and MFR\_DIE\_TEMP can be estimated with Equation (15) and Equation (16), respectively:

$$\text{MFR\_DIE\_TEMP\_GAIN} = \frac{0.8}{k} \quad (15)$$

$$\text{MFR\_DIE\_TEMP\_OFFSET} = a \quad (16)$$

Assume the voltage (V) input to ADC =  $k \times (T(^{\circ}\text{C}) - a)$  during positive mode (06h, bit[11] = 0), which is the default mode. Positive mode is the default V-T wave mode. The second mode is negative mode (06h, bit[11] = 1). In negative mode, READ\_DIE\_TEMP can be calculated with Equation (17):

$$\text{READ\_DIE\_TEMP} = -\frac{\text{DIE\_TEMP\_SENSE} \times (\text{GAIN} + 256)}{512} + \text{OFFSET} + 350 \quad (17)$$

Where DIE\_TEMP\_SENSE is the 10-bit ADC sampling result of the chip's sensed temperature, GAIN is short for MFR\_DIE\_TEMP\_GAIN, and OFFSET is short for MFR\_DIE\_TEMP\_OFFSET.

In VBE mode, MFR\_DIE\_TEMP\_GAIN and MFR\_DIE\_TEMP\_OFFSET can be estimated with Equation (18) and Equation (19), respectively:

$$\text{MFR\_DIE\_TEMP\_GAIN} = -\frac{0.8}{k} - 256 \quad (18)$$

$$\text{MFR\_DIE\_TEMP\_OFFSET} = a - 350 \quad (19)$$

<b>Command</b>	DIETEMP_GAIN_OFFSET															
<b>Format</b>	Unsigned binary, signed binary															
<b>Bit</b>	15	14	13	12	11	10	9	8	7	6	5	4	3	2	1	0
<b>Access</b>	R/W	R/W	R/W	R/W	R/W	R/W	R/W	R/W	R/W	R/W	R/W	R/W	R/W	R/W	R/W	R/W
<b>Function</b>	MFR_DIE_TEMP_GAIN								MFR_DIE_TEMP_OFFSET							

Bits	Bit Name	Description
15:8	DIE_TEMP_GAIN	Helps calculate READ_DIE_TEMP. Unsigned binary.
7:0	DIE_TEMP_OFFSET	Helps calculate READ_DIE_TEMP. Signed binary.

### MFR\_USER\_PWD (44h)

The MFR\_USER\_PWD command is the configured user password for PMBus/I<sup>2</sup>C communication. Write-only. All reads are 0.

<b>Command</b>	MFR_USER_PWD															
<b>Format</b>	Unsigned binary															
<b>Bit</b>	15	14	13	12	11	10	9	8	7	6	5	4	3	2	1	0
<b>Access</b>	W	W	W	W	W	W	W	W	W	W	W	W	W	W	W	W
<b>Function</b>																

Bits	Bit Name	Description
15:0	MFR_USER_PWD	Configures the user password for PMBus/I <sup>2</sup> C communication.

**MFR\_MTP\_WP (45h)**

The MFR\_MTP\_WP command provides MTP write protection. The MTP store command cannot be executed if this byte is not 8'h63.

<b>Command</b>	MFR_MTP_WP							
<b>Format</b>	Direct							
<b>Bit</b>	7	6	5	4	3	2	1	0
<b>Access</b>	R/W	R/W	R/W	R/W	R/W	R/W	R/W	R/W
<b>Function</b>	MFR_MTP_WP							

Bits	Bit Name	Description
7:0	MFR_MTP_WP	MTP write protection.

**SKIPDRMOS\_SR\_EARLI (46h)**

The SKIPDRMOS\_SR\_EARLI command allows the device to skip the DrMOS function under light-load conditions. It is related to registers 1Ah and 49h. This register also sets the time length at which SR\_PWM turns on before PWMP.

<b>Command</b>	SKIPDRMOS_SR_EARLI																	
<b>Format</b>	Unsigned binary																	
<b>Bit</b>	15	14	13	12	11	10	9	8	7	6	5	4	3	2	1	0		
<b>Access</b>	R/W	R/W	R/W	R/W	R/W	R/W	R/W	R/W	R/W	R/W	R/W	R/W	R/W	R/W	R/W	R/W		
<b>Function</b>					SR_POS_EARLIER								SKIPSR_DELAY					

Bits	Bit Name	Description
15:13	RESERVED	Reserved. R/W bits are available, but do not change the device.
12:8	SR_POS_EARLIER	Determines how early SR_PWM turns on before PWMP. 5ns/LSB.
7	RESERVED	Reserved. R/W bits are available, but do not change the device.
6	SKIP_DRMOS_EN	Enables bypassing the DrMOS function (the SKIP_EN pin). 1'b1: Enabled 1'b0: Disabled
5:0	SKIPSR_DELAY_TIME	If SR_PWM is triggered by SKIP_PWM_EN or SKIP_DRMOS_EN before skipping under light-load conditions, the current must stay low for this set time. One whole ADC sample round/LSB, which is about 18µs/LSB if MFR_ADC_HOLD_TIME (05H) is set to 2µs.

**MFR\_IOUT\_LEVEL (49h)**

The MFR\_IOUT\_LEVEL command configures the TDC I<sub>OUT</sub> values to skip the DrMOS function under light-load conditions (the MP2981's SKIP\_EN pin, 46h, and 1Ah). If the load increases and READ\_IOUT (8Ch) / 2 exceeds MFR\_IOUT\_LEVEL\_H, then the SKIP\_EN pin goes low and the DrMOS MOSFET starts working.

The other way to exit skip mode is for the CS1 pin to exceed CMP\_CS1\_EXITSKIP (1Ah). The only condition to enter DrMOS skip mode is that READ\_IOUT (8Ch) / 2 ≤ MFR\_IOUT\_LEVEL\_L for a configured time (46h).

<b>Command</b>	MFR_IOUT_LEVEL															
<b>Format</b>	Unsigned binary															
<b>Bit</b>	15	14	13	12	11	10	9	8	7	6	5	4	3	2	1	0
<b>Access</b>	R/W	R/W	R/W	R/W	R/W	R/W	R/W	R/W	R/W	R/W	R/W	R/W	R/W	R/W	R/W	R/W
<b>Function</b>	MFR_IOUT_LEVEL_H								MFR_IOUT_LEVEL_L							

Bits	Bit Name	Description
15:8	MFR_IOUT_LEVEL_H	Sets the TDC I <sub>OUT</sub> value to exit DrMOS skip mode.
7:0	MFR_IOUT_LEVEL_L	Sets the TDC I <sub>OUT</sub> value to enter DrMOS skip mode.

### MFR\_VCAL\_I\_MAX (4Bh)

The MFR\_VCAL\_I\_MAX command defines the integration factor and the maximum DC loop limit.

Command	MFR_VCAL_I_MAX															
Format	Unsigned binary															
Bit	15	14	13	12	11	10	9	8	7	6	5	4	3	2	1	0
Access	R/W	R/W	R/W	R/W	R/W	R/W	R/W	R/W	R/W	R/W	R/W	R/W	R/W	R/W	R/W	R/W
Function	MFR_VCAL_I								MFR_VO_CMPS_MAX							

Bits	Bit Name	Description
15:8	MFR_VCAL_I	The integration factor of the DC loop.
7:0	MFR_VO_CMPS_MAX	The maximum limit of the value input into the VO_COMP DAC.

### DC\_TRIM (4Ch)

The DC\_TRIM command sets the initial value of the VO\_COMP DAC. The initial VO\_COMP is DC\_TRIM x 8. When the DC loop is enabled, VO\_COMP = DC\_TRIM x 8 - (DC loop result). If the DC loop is disabled, the data input to the VO\_COMP DAC keeps the value before disabling. The DAC output is divided by 2, then added to VOSEN. The sum signal is one input of the primary closed-loop comparator.

Command	DC_TRIM							
Format	Direct							
Bit	7	6	5	4	3	2	1	0
Access	R/W	R/W	R/W	R/W	R/W	R/W	R/W	R/W
Function	DC_TRIM							

Bits	Bit Name	Description
7:5	RESERVED	Reserved. R/W bits are available, but do not change the device.
4:0	DC_TRIM	DC_TRIM x 8 is the initial value input into the VO_COMP DAC.

### MPS\_CODE (50h)

The MPS\_CODE command is written with a code that represents MPS.

Command	MPS_CODE															
Format	Direct															
Bit	15	14	13	12	11	10	9	8	7	6	5	4	3	2	1	0
Access	R/W	R/W	R/W	R/W	R/W	R/W	R/W	R/W	R/W	R/W	R/W	R/W	R/W	R/W	R/W	R/W
Function																

Bits	Bit Name	Description
15:0	MPS_CODE	This code represents MPS.

**PRODUCT\_CODE (51h)**

The PRODUCT\_CODE command is written with “2981” (hex code), and represents the MP2981 chip.

Command	PRODUCT_CODE															
Format	Direct															
Bit	15	14	13	12	11	10	9	8	7	6	5	4	3	2	1	0
Access	R/W	R/W	R/W	R/W	R/W	R/W	R/W	R/W	R/W	R/W	R/W	R/W	R/W	R/W	R/W	R/W
Function																

Bits	Bit Name	Description
15:0	PRODUCT_CODE	This code represents the MP2981 chip. It is 2981 (hex radix).

**CONFIG\_ID (52h)**

The CONFIG\_ID command should be written with the specific application programming code.

Command	CONFIG_ID															
Format	Direct															
Bit	15	14	13	12	11	10	9	8	7	6	5	4	3	2	1	0
Access	R/W	R/W	R/W	R/W	R/W	R/W	R/W	R/W	R/W	R/W	R/W	R/W	R/W	R/W	R/W	R/W
Function																

Bits	Bit Name	Description
15:0	CONFIG_ID	Write with a specific application programming code.

**CONFIG\_REV (53h)**

The CONFIG\_REV command should be written with a version of the specific application programming code or complement programming code.

Command	CONFIG_REV															
Format	Direct															
Bit	15	14	13	12	11	10	9	8	7	6	5	4	3	2	1	0
Access	R/W	R/W	R/W	R/W	R/W	R/W	R/W	R/W	R/W	R/W	R/W	R/W	R/W	R/W	R/W	R/W
Function																

Bits	Bit Name	Description
15:0	CONFIG_REV	Write with a version of a specific application programming code or complement programming code.

**CALVO\_LOW\_TON\_SS\_L (5Ah)**

The CALVO\_LOW\_TON\_SS\_L command defines the upper limit of  $V_{OUT}$  to enable the two stages (TONLL and TONL) of the SR\_PWM pins turning off after the PWMPs during soft start. If  $V_{OUT} > CALVO_{OUT\_LOW\_LVL} \times 0.125V$ , TONLL and TONL are invalid. It also sets the two  $t_{ON}$  boundaries of these two stages. TON\_LVL\_SS\_L must be greater than or equal to TON\_LVL\_SS\_LL.

Command	CALVO_LOW_TON_SS_L															
Format	Unsigned binary															
Bit	15	14	13	12	11	10	9	8	7	6	5	4	3	2	1	0
Access	R/W	R/W	R/W	R/W	R/W	R/W	R/W	R/W	R/W	R/W	R/W	R/W	R/W	R/W	R/W	R/W
Function	CALVO_{OUT\_LOW\_LVL}						TON_LVL_SS_L						TON_LVL_SS_LL			

Bits	Bit Name	Description
15:10	CALVOUT_LOW_LVL	If $READ\_VOUT / 2$ (8Bh) > CALVOUT_LOW_LVL, then the TONLL and TONL stages during soft start can be disabled by setting CALVOUT_LOW_LMT_TONL (in 0Fh) high. 125mV/LSB.
9:4	TON_LVL_SS_L	If $TON\_LVL\_SS\_L > t_{ON} \geq TON\_LVL\_SS\_LL$ during soft start, the SR_PWM pins turn off after the PWMP pins by $(SRNEG\_SS\_TONL\_DLY + 1) \times 5ns$ . Related to 2Bh. 5ns/LSB.
3:0	TON_LVL_SS_LL	If $t_{ON} < TON\_LVL\_SS\_LL$ during soft start, the SR_PWM pins turn off after the PWMP pins by $(SRNEG\_SS\_TONLL\_DLY + 1) \times 5ns$ . Related to 2Bh. 5ns/LSB.

### TON\_SS\_H (5Bh)

The TON\_SS\_H command sets the two  $t_{ON}$  boundaries that turn the SR\_PWM pins off before the PWMP pins during soft start. TON\_LVL\_SS\_HH must be greater than or equal to TON\_LVL\_SS\_H.

Command	TON_SS_H															
Format	Unsigned binary															
Bit	15	14	13	12	11	10	9	8	7	6	5	4	3	2	1	0
Access	R	R/W	R/W	R/W	R/W	R/W	R/W	R/W	R/W	R/W	R/W	R/W	R/W	R/W	R/W	R/W
Function	X	TON_LVL_SS_H							TON_LVL_SS_HH							

Bits	Bit Name	Description
15	RESERVED	Not defined. Read-only.
14:8	TON_LVL_SS_H	If $TON\_LVL\_SS\_HH > t_{ON} \geq TON\_LVL\_SS\_H$ during soft start, then the SR_PWM pins turn off before the PWMP pins by $(SRNEG\_SS\_TONH\_DEC \times 5ns)$ . Related to 2Bh. 5ns/LSB.
7:0	TON_LVL_SS_HH	If $t_{ON} \geq TON\_LVL\_SS\_HH$ during soft start, the SR_PWM pins turn off before the PWMP pins by $(SRNEG\_SS\_TONHH\_DEC \times 5ns)$ . Related to 2Bh. 5ns/LSB.

### POWER\_GOOD\_ON (5Eh)

The POWER\_GOOD\_ON command defines a VID level close to the VID target (21h, bits[7:0]). This means that VID ramping up is almost completed, and the PG on delay starts to use VID (instead of  $t_{ON}$ ) as the PG reference (06h, bit[2]).

Command	POWER_GOOD_ON															
Format	Direct															
Bit	15	14	13	12	11	10	9	8	7	6	5	4	3	2	1	0
Access	R	R	R	R	R	R	R	R	R/W	R/W	R/W	R/W	R/W	R/W	R/W	R/W
Function	X	X	X	X	X	X	X	X	POWER_GOOD_ON							

Bits	Bit Name	Description
15:8	RESERVED	Not defined. Read-only.
7:0	POWER_GOOD_ON	VID level that means VID ramping up is almost done. Must be set below or equal to the VID target (21h, bits[7:0]). 6.25mV/LSB.

### POWER\_GOOD\_OFF (5Fh)

If VID is below or equal to this register and VID is selected as the PG reference (06h, bit[2]), then PG goes low.

Command	POWER_GOOD_OFF															
Format	Direct															
Bit	15	14	13	12	11	10	9	8	7	6	5	4	3	2	1	0
Access	R	R	R	R	R	R	R	R	R/W	R/W	R/W	R/W	R/W	R/W	R/W	R/W
Function	X	X	X	X	X	X	X	X	POWER_GOOD_OFF							
Bits	Bit Name		Description													
15:8	RESERVED		Not defined. Read-only.													
7:0	POWER_GOOD_OFF		Determines the VID level of PG off if VID is selected as the PG reference. Must be set below POWER_GOOD_ON (5Eh), bits[7:0]. 6.25mV/LSB.													

### PROTECT\_DELAY (60h)

The PROTECT\_DELAY sets the delay time after a shutdown occurs. After a shutdown protection that does not include an over-current (OC) spike (e.g. Phase OC, OCSPK\_H, and OCSPK\_L) occurs, the device starts counting PROTECT\_DELAY. After this delay, the chip starts to count START\_DELAY (63h), and then generates PWMs and ramps VID up again.

If the device has been configured to hiccup or retry mode, then the restart times are not completed (VOUT\_OVP\_MAX, OVP\_VID, UVP\_VID, UVP\_MIN, OCP\_TDC, or OCP\_SPIKE), and are reset by VIN\_UVLO.

Command	PROTECT_DELAY							
Format	Direct							
Bit	7	6	5	4	3	2	1	0
Access	R	R/W	R/W	R/W	R/W	R/W	R/W	R/W
Function	X	PROTECT_DELAY						
Bits	Bit Name		Description					
7	RESERVED		Not defined. Read-only.					
6:0	PROTECT_DELAY		Sets the delay between a protection shutdown and when the device restarts. 100µs/LSB.					

### PWRGD\_DELAY (62h)

The PWRGD\_DELAY command sets the delay period between the end of PG reference ( $t_{ON}$  increasing to TON\_NORMAL (1Eh) or VID ramping up to POWER\_GOOD\_ON (5Eh)) ramping to when the PG pin turns on.

Command	PWRGD_DELAY							
Format	Unsigned binary							
Bit	7	6	5	4	3	2	1	0
Access	R/W	R/W	R/W	R/W	R/W	R/W	R/W	R/W
Function	PWRGD_DELAY							
Bits	Bit Name		Description					
7	PWRGD_DELAY_SEL		1'b1: 20kHz 1'b0: 50kHz					

6:0	PWRGD_DELAY	<p>After VID reaches POWER_GOOD_ON (5Eh) or <math>t_{ON}</math> reaches TON_NORMAL (1Eh), this delay time starts counting. After this delay finishes, PG goes high.</p> <p>If 62h[7] = 1, the PWRGD_DELAY time = [6:0] x 50<math>\mu</math>s            If 62h[7] = 0, the PWRGD_DELAY time = [6:0] x 20<math>\mu</math>s</p>
-----	-------------	---

### START\_DELAY (63h)

The START\_DELAY command sets the time length for which the EN pin must stay high during start-up, after the MTP finishes restoring, and before VID starts slewing up and PWM switches.

<b>Command</b>	START_DELAY															
<b>Format</b>	Unsigned binary															
<b>Bit</b>	15	14	13	12	11	10	9	8	7	6	5	4	3	2	1	0
<b>Access</b>	R/W	R/W	R/W	R/W	R/W	R/W	R/W	R/W	R/W	R/W	R/W	R/W	R/W	R/W	R/W	R/W
<b>Function</b>																

Bits	Bit Name	Description
15:0	START_DELAY	<p>Determines if the device requires a continuously high EN pin during start-up. The resolution is determined by MFR_ONOFFDLY_CLK_1L0S (06h, T). The time length can be calculated with the following equation:</p> $\text{Length} = 256 \times T \times \text{START\_DELAY}[15:8] + T \times \text{START\_DELAY}[7:0]$

### OFF\_DELAY (64h)

The OFF\_DELAY command sets the delay time after the EN pin turns off or the PMBus/I<sup>2</sup>C sends an OFF command. This is during normal operation, and before shutting down VID, PG, and the PWM pins.

<b>Command</b>	OFF_DELAY															
<b>Format</b>	Unsigned binary															
<b>Bit</b>	15	14	13	12	11	10	9	8	7	6	5	4	3	2	1	0
<b>Access</b>	R/W	R/W	R/W	R/W	R/W	R/W	R/W	R/W	R/W	R/W	R/W	R/W	R/W	R/W	R/W	R/W
<b>Function</b>																

Bits	Bit Name	Description
15:0	OFF_DELAY	<p>Determines the part's delay before shutting down. The resolution is determined by MFR_ONOFFDLY_CLK_1L0S (06h, T). The delay can be calculated with the following equation:</p> $\text{Delay} = 256 \times T \times \text{OFF\_DELAY}[15:8] + T \times \text{OFF\_DELAY, bits}[7:0]$

### MFR\_OTP\_SET (65h)

The MFR\_OTP\_SET command controls the TEMP pin's parameters if over-temperature protection (OTP) occurs.

<b>Command</b>	MFR_OTP_SET															
<b>Format</b>	Unsigned binary															
<b>Bit</b>	15	14	13	12	11	10	9	8	7	6	5	4	3	2	1	0
<b>Access</b>	R/W	R/W	R/W	R/W	R/W	R/W	R/W	R/W	R/W	R/W	R/W	R/W	R/W	R/W	R/W	R/W
<b>Function</b>																

Bits	Bit Name	Description
15	MFR_OTP_LATCH	<p>1'b1: Latch-off mode            1'b0: Hiccup mode</p>
14:8	MFR_OTP_HYS	<p>The TEMP pin's over-temperature (OT) hysteresis limit. When READ_TEMP (8Dh) <math>\leq</math> (MFR_OTP_LIMIT - MFR_OTP_HYS), the OT comparator goes low. 1°C/LSB.</p>



7:0	MFR_OTP_LIMIT	TEMP pin over-temperature (OT) limit. 1°C/LSB.
-----	---------------	--

### MFR\_DIE\_OTP\_SET (66h)

The MFR\_DIE\_OTP\_SET command controls the die temperature's parameters if over-temperature protection (OTP) occurs.

<b>Command</b>	MFR_DIE_OTP_SET															
<b>Format</b>	Unsigned binary															
<b>Bit</b>	15	14	13	12	11	10	9	8	7	6	5	4	3	2	1	0
<b>Access</b>	R/W	R/W	R/W	R/W	R/W	R/W	R/W	R/W	R/W	R/W	R/W	R/W	R/W	R/W	R/W	R/W
<b>Function</b>	MFR_DIE_OTP_HYS								MFR_DIE_OTP_LIMIT							

Bits	Bit Name	Description
15	MFR_DIE_OTP_LATCH	1'b1: Latch-off mode 1'b0: Hiccup mode
14:8	MFR_DIE_OTP_HYS	Hysteresis of the die temperature's over-temperature (OT) limit. When READ_TEMP (8Dh) ≤ (MFR_DIE_OTP_LIMIT - MFR_DIE_OTP_HYS), the OT comparator goes low. 1°C/LSB.
7:0	MFR_DIE_OTP_LIMIT	Die temperature over-temperature (OT) limit. 1°C/LSB.

### PMBUS/I<sup>2</sup>C\_ADDR\_SET (67h)

The PMBUS/I<sup>2</sup>C\_ADDR\_SET command configures the 7-bit PMBus/I<sup>2</sup>C slave address (the chip's PMBus/I<sup>2</sup>C address).

<b>Command</b>	PMBUS/I <sup>2</sup> C_ADDR_SET							
<b>Format</b>	Unsigned binary							
<b>Bit</b>	7	6	5	4	3	2	1	0
<b>Access</b>	R/W	R/W	R/W	R/W	R/W	R/W	R/W	R/W
<b>Function</b>								

Bits	Bit Name	Description
7:0	PMBUS/I <sup>2</sup> C_ADDR_SET	Final PMBus/I <sup>2</sup> C address = 67h, bits[6:4]. If bit[7] = 1, then the final PMBus/I <sup>2</sup> C address bits[3:0] comes from sampling the ADDR_P pin. If bit[7] = 0, then the final PMBus/I <sup>2</sup> C address [6:0] = 67h, bits[6:0].

### MFR\_PROTECT\_CFG (68h)

The MFR\_PROTECT\_CFG command controls certain device protections.

<b>Command</b>	MFR_PROTECT_CFG															
<b>Format</b>	Unsigned binary															
<b>Bit</b>	15	14	13	12	11	10	9	8	7	6	5	4	3	2	1	0
<b>Access</b>	R/W	R/W	R/W	R/W	R/W	R/W	R/W	R/W	R/W	R/W	R/W	R/W	R/W	R/W	R/W	R/W
<b>Function</b>																

Bits	Bit Name	Description
15	UVLO_STARTUP_MTP_EN	1'b1: Only store V <sub>IN</sub> under-voltage lockout (UVLO) conditions that occur when power is being delivered to the MTP 1'b0: Store all V <sub>IN</sub> UVLO occurrences in the MTP
14:12	RESERVED	Reserved. R/W bits are available, but do not change the device.
11	DrMOS_OC_LATCH	Selects the trigger mode for DrMOS over-current protection (OCP). 1'b1: Latch-off mode 1'b0: Hiccup mode

10	DrMOS_OC_EN	Enables DrMOS OCP. 1'b1: Enabled 1'b0: Disabled
9	VOUT_OVP_MAX_LATCH	Selects the VOUT_OVP_MAX protection mode. 1'b1: Latch-off mode 1'b0: Hiccup mode
8	VOUT_OVP_MAX_EN	Enables VOUT_OVP_MAX protection. 1'b1: Enabled 1'b0: Disabled
7	DIE_TEMP_PRO_EN	Enables DIE_TEMP protection. 1'b1: Disable DIE_TEMP protection 1'b0: Enable DIE_TEMP protection
6	TEMP_PRO_EN	1'b1: Disable over-temperature protection (OTP) from the TEMP pin (not including DrMOS OC or DIE_TEMP) 1'b0: Enable OTP from the TEMP pin
5	MFR_VIN_OVP_LATCH	Determines how the device responds when a V <sub>IN</sub> protection is enabled (RST_VIN_PRO = 0). 1'b1: Latch-off mode 1'b0: Hiccup mode
4	RST_VIN_PRO	1'b1: Disable V <sub>IN</sub> protection, including V <sub>IN</sub> UVLO and V <sub>IN</sub> over-voltage protection (OVP) 1'b0: Enable V <sub>IN</sub> protection, including V <sub>IN</sub> UVLO and V <sub>IN</sub> OVP
3	UVLO_STARTUP_STATUS_EN	1'b1: Only store V <sub>IN</sub> UVLO occurrences while power is delivered to STATUS_WORD 1'b0: Store all V <sub>IN</sub> UVLO occurrences to STATUS_WORD.
2	RST_STATUS_EN	Enables resetting STATUS_XX during a restart, after the EN pin is off, and when operation is off. 1'b1: Reset STATUS_XX during a restart 1'b0: Do not reset STATUS_XX during a restart
1	SS_EXT_CLK_SEL	Select the clock counting the 4-clock delay after t <sub>ON</sub> reaches TON_NORMAL, before OVP_VID, UVP_VID, and UVP_MIN can be enabled. 1'b1: 20kHz 1'b0: 50kHz
0	DISABLE_ALL_PRO	1'b1: Disable all protection features 1'b0: Enable all protection features  There are two protections that cannot be controlled by this bit: <ul style="list-style-type: none"> <li>PWM t<sub>ON</sub> change during over-current (OC) spikes on the CS1 or CS2 pins (OCSPK_H and OCSPK_L, respectively)</li> <li>Counting of OC spikes on CS1 (OCSPK_H) before the device shuts down</li> </ul>

### OVP\_UVP\_VID\_SET (69h)

The OVP\_UVP\_VID\_SET command controls VOUT\_OVP\_VID and UVP\_VID protection. Their levels are defined in 19h.

Command	OVP_UVP_VID_SET															
Format	Unsigned binary															
Bit	15	14	13	12	11	10	9	8	7	6	5	4	3	2	1	0
Access	R/W	R/W	R/W	R/W	R/W	R/W	R/W	R/W	R/W	R/W	R/W	R/W	R/W	R/W	R/W	R/W
Function	OVP_VID_DELAYTIME						UVP_VID_DELAYTIME									

Bits	Bit Name	Description
15:14	OVP_VID_MODE	2'b00: No action 2'b01: Latch-off mode 2'b10: Hiccup mode 2'b11: Retry 3 times or 6 times based on OVP_VID_RETRY_TIMES
13	OVP_VID_RETRY_TIMES	1'b1: Retry 3 times 1'b1: Retry 6 times, when MFR_OVP_SET_MODE is 11b
12:8	OVP_VID_DELAYTIME	If V <sub>OUT</sub> stays high for a set time, V <sub>OUT</sub> over-voltage protection (OVP) is triggered. 200ns/LSB.
7:6	UVP_VID_MODE	2'b00: No action 2'b01: Latch-off mode 2'b10: Hiccup mode 2'b11: Retry 6 times
5:0	UVP_VID_DELAYTIME	If V <sub>OUT</sub> stays low for the set time, V <sub>OUT</sub> under-voltage protection (UVP) is triggered. 20µs/LSB.

### OCP\_TDC\_SET (6Ah)

The OCP\_TDC\_SET command controls TDC over-current protection (OCP).

Command	OCP_TDC_SET															
Format	Unsigned binary															
Bit	15	14	13	12	11	10	9	8	7	6	5	4	3	2	1	0
Access	R/W	R/W	R/W	R/W	R/W	R/W	R/W	R/W	R/W	R/W	R/W	R/W	R/W	R/W	R/W	R/W
Function	OCP_TDC_DELAYTIME								OCP_TDC_LEVEL							

Bits	Bit Name	Description
15:14	OCP_TDC_MODE	2'b00: No action 2'b01: Latch-off mode 2'b10: Hiccup mode 2'b11: Retry 6 times
13:8	OCP_TDC_DELAYTIME	If the TDC current stays high for this set time, over-current protection (OCP) is triggered. 100µs/LSB.
7:0	OCP_TDC_LEVEL	1A/LSB.

### OCP\_SPIKE\_TIMES\_SET (6Bh)

The OCP\_SPIKE\_TIMES\_SET command controls the over-current (OC) spike time, which can shut down the chip.

Command	OCP_SPIKE_TIMES_SET																
Format	Unsigned binary																
Bit	15	14	13	12	11	10	9	8	7	6	5	4	3	2	1	0	
Access	R	R	R/W	R/W	R/W	R/W	R/W	R/W	R/W	R/W	R/W	R/W	R/W	R/W	R/W	R/W	
Function	X	X		OCP_SPIKE_RANGE								OCP_SPIKE_TIMES					

Bits	Bit Name	Description
15:14	RESERVED	Not defined. Read-only.
13	DIS_OCP_SPIKE_SS	1'b1: Disable the OCP_SPIKE_TIMES protection during soft start 1'b0: Enable the OCP_SPIKE_TIMES protection during soft start
12:8	OCP_SPIKE_RANGE	The time length in which to count over-current (OC) spikes on CS1 (OCSPK_H), and the time length before starting one OCSPK_H pulse. 1 PWMP period/LSB. The set time can be calculated with the following equation: $\text{Time length} = (\text{PWM1 } t_{\text{ON}} + \text{PWM2 } t_{\text{ON}} + 2 \text{ dead time}) \times [12:8]$

7:6	OCP_SPIKE_MODE	2'b00: No action 2'b01: Latch-off mode 2'b10: Hiccup mode 2'b11: Retry 6 times
5:0	OCP_SPIKE_TIMES	If the pulse time of OC spikes on CS1 (OCSPK_H) (both PWM1 and PWM2) exceeds OCP_SPIKE_TIMES during OCP_SPIKE_RANGE, a protection is triggered. If the OCSPK_H (both PWM1 and PWM2) pulse time is below OCP_SPIKE_TIMES during OCP_SPIKE_RANGE, then OCSPK_H pulses are recounted from 0. The next OC pulse and the detection time window (OCP_SPIKE_RANGE) also restart.

### OCP\_SPIKE\_LEVEL (6Ch)

The OCP\_SPIKE\_LEVEL command sets the higher and lower OCP\_SPIKE levels. Both levels are compared with the CS1 and CS2 pins.

<b>Command</b>	OCP_SPIKE_LEVEL															
<b>Format</b>	Unsigned binary															
<b>Bit</b>	15	14	13	12	11	10	9	8	7	6	5	4	3	2	1	0
<b>Access</b>	R/W	R/W	R/W	R/W	R/W	R/W	R/W	R/W	R/W	R/W	R/W	R/W	R/W	R/W	R/W	R/W
<b>Function</b>	HIGHER_SPIKE_LVL								LOWER_SPIKE_LVL							

Bits	Bit Name	Description
15:8	HIGHER_SPIKE_LVL	Digital value of the higher OCP_SPIKE DAC. 2V range, 8-bit DAC. The DAC output is HIGHER_SPIKE_LVL x 2V / 256.
7:0	LOWER_SPIKE_LVL	Digital value of the lower OCP_SPIKE DAC. 2V range, 8-bit DAC. The DAC output is LOWER_SPIKE_LVL x 2V / 256.

### UVP\_MIN\_SET (6Dh)

The UVP\_MIN\_SET command controls the V<sub>OUT</sub> UVP\_MIN protection.

<b>Command</b>	UVP_MIN_SET							
<b>Format</b>	Unsigned binary							
<b>Bit</b>	7	6	5	4	3	2	1	0
<b>Access</b>	R/W	R/W	R/W	R/W	R/W	R/W	R/W	R/W
<b>Function</b>	UVP_MIN_MODE				UVP_MIN_DELAY			

Bits	Bit Name	Description
7:6	UVP_MIN_MODE	2'b00: No action 2'b01: Latch-off mode 2'b10: Hiccup mode 2'b11: Retry 6 times
5:0	UVP_MIN_DELAY	If V <sub>OUT</sub> stays low for this time length, the protection is triggered. 0.4μs/LSB.

### STATUS\_WORD (79h)

The STATUS\_WORD command records general protections and the real-time on/off state. It is reset by an EN or OPERATION restarting if the RST\_STATUS\_EN bit (68h), bit[2] is high, by sending the CLEAR\_FAULTS command (03h in Page 0, Page 1, or Page 3), or by cycling the power on VCC3V3.

<b>Command</b>	STATUS_WORD															
<b>Format</b>	Unsigned binary															
<b>Bit</b>	15	14	13	12	11	10	9	8	7	6	5	4	3	2	1	0
<b>Access</b>	R	R	R	R	R	R	R	R	R	R	R	R	R	R	R	R
<b>Function</b>																

Bits	Bit Name	Description
15	VOUT_OVP or UVP	VOUT_OVP_MAX, OVP_VID, UVP_VID, and UVP_MIN fault indicator. If output over-voltage protection (OVP) or under-voltage protection (UVP) occurs, this bit is set and latched. The specific protection is determined by STATUS_VOUT (7Ah). 1'b0: No VOUT over-voltage (OV) or under-voltage (UV) fault has occurred 1'b1: A VOUT OV or UV fault has occurred
14	OCP	OCP_TDC or OCP_SPIKE_TIMES fault indicator. If either of these IOUT protections occur, or an UV fault occurs at the beginning of OCP_TDC, this bit is set and latched. The specific protection can be viewed by STATUS_IOUT (7Bh). 1'b0: No IOUT over-current (OC) fault has occurred 1'b1: An IOUT OC fault has occurred
13	VIN_UVLO_FLAG	VIN under-voltage lockout (UVLO) protection indicator. If READ_VIN ≤ VIN_ON while the device is off, or READ_VIN < VIN_OFF at any time except during the reset all protection stages, then this bit is pulled high.
12	VIN_OVP	VIN OVP fault indicator. If input OVP occurs, this bit is set and latched. 1'b0: No VIN OV fault has occurred 1'b1: A VIN OV fault has occurred
11	PG	PG pin state indicator. PG is set high after PWRGD_DELAY. When any protection or fault occurs during normal operation (power out state), PG is pulled down.
10	RESERVED	Reserved. Reads are always 0.
9	DrMOS_OCP	DrMOS over-current protection (OCP) fault indicator. If the TEMP pin reaches VCC3V3 (which means DrMOS OCP fault has occurred), this bit is set and latched. Specific protections can be viewed by PROTECT_SIG_GRP (7Ch). 1'b0: No DrMOS OC fault has occurred 1'b1: A DrMOS OC fault has occurred
8:7	RESERVED	Reserved. Reads are always 0.
6	EN_SS	Chip working state indicator. 1'b1: The chip is not outputting PWMs or VREF, and the state is off 1'b0: The state is on, and PWMs are switching
5	OVP_MAX/OVP_VID_POS	VOUT OV positive edge fault indicator. If output OVP_MAX or VID positive edge protection occurs, this bit is set and latched. Unlike STATUS_VOUT (7Ah), this bit can be cleared by a CLEAR_FAULTS (03h) command when the protection signal stays high. 1'b0: No VOUT OV positive edge fault has occurred 1'b1: A VOUT OV positive edge fault has occurred
4	OCP_TDC_POS	IOUT OC positive-edge fault indicator. If output OC positive-edge protection occurs, this bit is set and latched. Unlike STATUS_IOUT (7Bh), this bit can be cleared by CLEAR_FAULTS (03h) when the protection signal stays high. 1'b0: No IOUT OC positive edge fault has occurred 1'b1: An IOUT OC positive edge fault has occurred
3	UVP_VID or UVP_MIN_POS	VOUT UV positive edge fault indicator. If output UV VID or MIN positive-edge protection occurs, this bit is set and latched. Unlike STATUS_VOUT (7Ah), this bit can be cleared by a CLEAR_FAULTS (03h) command when the protection signal stays high. 1'b0: No VOUT UV positive edge fault has occurred 1'b1: VOUT UV positive edge fault has occurred

2	TEMP_OTP or DIE_OTP	Over-temperature protection (OTP) positive edge fault indicator. If OTP from the TEMP pin sampling or the 2981 internal DIE_TEMP sensor fault occurs, this bit is set and latched. Specific protections can be viewed by STATUS_TEMP (7Dh). 1'b0: No over-temperature (OT) fault has occurred 1'b1: An OT fault has occurred
1	STATUS_CML_NONZERO	CML positive edge fault indicator. If a CML fault occurs, this bit is set and latched. Specific protections can be viewed by STATUS_CML (7Ch). 1'b0: No CML fault has occurred 1'b1: CML fault has occurred
0	RESERVED	Reserved. Unused. Reads are always 0.

### STATUS\_VOUT (7Ah)

The STATUS\_VOUT command records the  $V_{OUT}$  protection status. It can be reset by an EN or OPERATION restart if RST\_STATUS\_EN bit (68h), bit[2] is high, by sending a CLEAR\_FAULTS command (03h in Page 0, Page 1, or Page 3), or by cycling the power on VCC3C3.

<b>Command</b>	STATUS_VOUT							
<b>Format</b>	Unsigned binary							
<b>Bit</b>	7	6	5	4	3	2	1	0
<b>Access</b>	R	R	R	R	R	R	R	R
<b>Function</b>								

Bits	Bit Name	Description
7	OVP_MAX	$V_{OUT}$ OVP_MAX fault indicator. If $V_{OUT}$ exceeds VOUT_MAX, this bit is set and latched. 1'b0: No $V_{OUT}$ OVP_MAX fault has occurred 1'b1: A $V_{OUT}$ OVP_MAX fault has occurred
6	OVP_VID	$V_{OUT}$ OVP_VID fault indicator. If $V_{OUT}$ exceeds OVP_VID for a set time, this bit is set and latched. 1'b0: No $V_{OUT}$ OVP_VID fault has occurred 1'b1: A $V_{OUT}$ OVP_VID fault has occurred
5	UVP_VID	$V_{OUT}$ UVP_VID fault indicator. If $V_{OUT}$ drops below UVP_VID for a set time, this bit is set and latched. 1'b0: No $V_{OUT}$ OVP_MAX fault has occurred 1'b1: A $V_{OUT}$ OVP_MAX fault has occurred
4	UVP_MIN	$V_{OUT}$ OVP_MAX fault indicator. If $V_{OUT}$ drops below UVP_MIN, this bit is set and latched. 1'b0: No $V_{OUT}$ OVP_MAX fault has occurred 1'b1: A $V_{OUT}$ OVP_MAX fault has occurred
3:0	RESERVED	Reserved. Reads are always 0.

### STATUS\_IOUT (7Bh)

The STATUS\_IOUT command records the  $I_{OUT}$  protection status. It can be reset by an EN or OPERATION restart if RST\_STATUS\_EN (68h), bit[2] is high, by sending a CLEAR\_FAULTS command (03h on Page 0, Page 1, or Page 3), or by cycling the power on VCC3V3.

<b>Command</b>	STATUS_IOUT							
<b>Format</b>	Unsigned binary							
<b>Bit</b>	7	6	5	4	3	2	1	0
<b>Access</b>	R	R	R	R	R	R	R	R
<b>Function</b>								

Bits	Bit Name	Description
7	OCP_TDC	Normal I <sub>OUT</sub> over-current protection (OCP) TDC fault indicator. If the TDC remains high for longer than the set time (6Ah), this bit is set and latched. 1'b0: No OCP TDC fault has occurred 1'b1: An OCP TDC fault has occurred
6	OCP_TDC_UV	Indicates an under-voltage (UV) fault caused by an I <sub>OUT</sub> OCP TDC fault. If the UV comparator output is effective when TDC OCP occurs (after the delay), this bit is set and latched. 1'b0: No OCP TDC/UV fault has occurred 1'b1: An OCP TDC/UV fault has occurred
5	OCP_SPIKE_TIMES	Indicates a UV fault caused by an I <sub>OUT</sub> OCP TDC fault. If the current-sense (CS) peak exceeds the OC SPIKE H level and the counting pulse number exceeds the set number (6Bh, bits[5:0]) in the configured range (6Bh, bits[12:8]), this bit is set and latched. 1'b0: No OCP TDC/UV fault has occurred 1'b1: An OCP TDC/UV fault has occurred
4:0	RESERVED	Reserved. Reads are always 0.

### PROTECT\_SIG\_GRP (7Ch)

The PROTECT\_SIG\_GRP command records all protections that can result during shutdown. This register can be stored in the MTP.

Command	PROTECT_SIG_GRP															
Format	Unsigned binary															
Bit	15	14	13	12	11	10	9	8	7	6	5	4	3	2	1	0
Access	R	R	R	R	R	R	R	R	R	R	R	R	R	R	R	R
Function																

Bits	Bit Name	Description
15:12	RESERVED	Reserved. Reads are always 0.
11	DRMOS_OCP	DrMOS over-current protection (OCP) indicator. If the TEMP pin voltage exceeds 1.8V, a DrMOS OCP fault occurs. DRMOS_OCP protection is triggered, and this bit is set and latched. When an over-current (OC) condition occurs, DrMOS sets its TEMP pin to VCC. 1'b0: No DrMOS OCP has occurred 1'b1: DrMOS OCP has occurred
10	RESERVED	Reserved. Reads are always 0.
9	OCP_TDC	I <sub>OUT</sub> TDC OCP indicator. If I <sub>OUT</sub> TDC OCP occurs and triggers TDC OCP protection, this bit is set and latched. 1'b0: No TDC OCP has occurred 1'b1: TDC OCP has occurred
8	OCP_SPIKE_TIMES	OCP_SPIKE_TIMES protection indicator. If an OCP_SPIKE_TIMES fault occurs and triggers a protection, this bit is set and latched. 1'b0: No OCP_SPIKE_TIMES protection has not occurred 1'b1: A OCP_SPIKE_TIMES protection has occurred
7	VIN_OVP	V <sub>IN</sub> over-voltage protection (OVP) indicator. If V <sub>IN</sub> OVP is triggered, this bit is set and latched. 1'b0: No V <sub>IN</sub> OVP has occurred 1'b1: V <sub>IN</sub> OVP has occurred

6	VIN_UVLO	V <sub>IN</sub> under-voltage lockout (UVLO) indicator. If V <sub>IN</sub> UVLO occurs when delivering power or if UVLO_STARTUP_MTP_EN (68h), bit[15] is enabled, then this bit is set and latched. 1'b0: No V <sub>IN</sub> UVLO fault has occurred 1'b1: A V <sub>IN</sub> UVLO fault has occurred
5	OTP	Over-temperature protection (OTP) from sampling the TEMP pin indicator. If this fault occurs and triggers the protection, this bit is set and latched. 1'b0: No OTP has occurred 1'b1: OTP has occurred
4	DIE_OTP	Die OTP protection indicator. If the MP2981's die temperature exceeds its over-temperature (OT) limit and triggers the protection, this bit is set and latched. 1'b0: No die OTP has occurred 1'b1: Die OTP has occurred
3	OVP_MAX	V <sub>OUT</sub> OVP_MAX protection indicator. If a V <sub>OUT</sub> OVP max fault occurs and triggers the protection, this bit is set and latched. 1'b0: No V <sub>OUT</sub> OVP_MAX protection has occurred 1'b1: A V <sub>OUT</sub> OVP_MAX protection has occurred
2	OVP_VID	V <sub>OUT</sub> OVP_VID protection indicator. If V <sub>OUT</sub> OVP VID fault occurs and triggers the protection, this bit is set and latched. 1'b0: No V <sub>OUT</sub> OVP_MAX protection has occurred 1'b1: A V <sub>OUT</sub> OVP_MAX protection has occurred
1	UVP_VID	V <sub>OUT</sub> UVP_VID protection indicator. If a V <sub>OUT</sub> UVP_VID fault occurs and triggers the protection, this bit is set and latched. 1'b0: No V <sub>OUT</sub> UVP_VID protection has occurred 1'b1: A V <sub>OUT</sub> UVP_VID protection has occurred
0	UVP_MIN	V <sub>OUT</sub> UVP_MIN protection indicator. If a V <sub>OUT</sub> UVP_MIN fault occurs and triggers the protection, this bit is set and latched. 1'b0: No V <sub>OUT</sub> UVP_MIN protection has occurred 1'b1: A V <sub>OUT</sub> UVP_MIN protection has occurred

### STATUS\_TEMP (7Dh)

The STATUS\_TEMP command records the protection statuses related to the TEMP pin. It can be reset by EN or OPERATION restarting if RST\_STATUS\_EN bit (68h, bit[2]) is high, by sending a CLEAR\_FAULTS command (03h on Page 0, Page 1, or Page 3), or by cycling the power on VCC3V3.

Command	STATUS_TEMP							
Format	Unsigned binary							
Bit	7	6	5	4	3	2	1	0
Access	R	R	R	R	R	R	R	R
Function								

Bits	Bit Name	Description
7	OTP	Over-temperature protection (OTP) fault indicator. If an over-temperature (OT) fault is sampled on the TEMP pin, this bit is set and latched. 1'b0: No OTP fault has occurred 1'b1: An OTP fault has occurred
6	DIE_OTP	Die OTP fault indicator. If the MP2981's die temperature exceeds its OT threshold, this bit is set and latched. 1'b0: No Die OTP has occurred 1'b1: Die OTP has occurred



5	DRMOS_OCP	DrMOS over-current protection (OCP) fault indicator. If the TEMP pin exceeds 1.8V and a DrMOS OCP fault occurs, this bit is set and latched. When an over-current (OC) condition occurs, DrMOS sets its TEMP pin to VCC.  1'b0: No DrMOS OCP has occurred 1'b1: DrMOS OCP has occurred
4:0	RESERVED	Reserved. Reads are always 0.

### STATUS\_CML (7Eh)

The STATUS\_CML command records the status between PMBus/I<sup>2</sup>C and MTP communication. It can be reset by sending a CLEAR\_FAULTS command (03h on Page 0, Page 1, or Page 3).

<b>Command</b>	STATUS_CML							
<b>Format</b>	Unsigned binary							
<b>Bit</b>	7	6	5	4	3	2	1	0
<b>Access</b>	R	R	R	R	R	R	R	R
<b>Function</b>								

Bits	Bit Name	Description
7	CML_INVALID_CMD	CML invalid command fault indicator. If the received PMBus/I <sup>2</sup> C command is not defined, this bit is set and latched.  1'b0: No CML invalid command fault has occurred 1'b1: A CML invalid command fault has occurred
6	INTERNAL_DEBUG	Used for debugging.
5	CML_PEC_FAULT	CML peculiar fault indicator. If the received PMBus/I <sup>2</sup> C command does not match the command sent by the master, this bit is set and latched.  1'b0: No CML peculiar fault has occurred 1'b1: A CML peculiar fault has occurred
4	LATCHED_WRFAIL	WRFail is a flag signal from the MTP. It signifies that 1 byte written to the MTP has failed. The MTP_WRFail output is reset at the start of writing the next byte. This bit is the latched result of the MTP_WRFail signal. Reset this bit by sending a CLEAR_FAULTS command (03h) and the beginning the next MTP write process (not writing the next byte) after the current MTP storing process finishes.
3	CRC_FAULT_ENABLED	If at least one of the three cyclic redundancy check (CRC) faults occurs, then the corresponding CRC enable bit (07h, bits[15:13]) is set to 1:  <ol style="list-style-type: none"> <li>The CRC of the first two sections of the MTP (8'h00 to 8'hDD MTP addresses, 8'hDE and 8'hDF store the CRC calculation result). Valid in STORE_ALL (15h), RESTORE_ALL (16h), STORE_USER_ALL (17h), and RESTORE_USER_ALL (18h). Its enable bit is 07h, bit[15].</li> <li>The CRC of the third section of MTP (8'hE0 to 8'hFB MTP addresses, 8'hFC, and 8'hFD are the calculated CRC). Valid in STORE_ALL (15h), RESTORE_ALL (16h), STORE_S3 (F5h), and RESTORE_S3 (F6h). Its enable bit is 07h, bit[14].</li> <li>The total MTP CRC (8'h00 to 8'hFD MTP addresses, 8'hFE and 8'hFF store the calculated CRC). Valid in STORE_ALL (15h) and RESTORE_ALL (16h). This CRC cannot be enabled or configured by the user due to the commands STORE_USER_ALL (17h) and RESTORE_USER_ALL (18h). If RESTORE_ALL (16h) is sent after STORE_USER_ALL (17h), this CRC error is a false alarm. Its enable bit is 07h, bit[13].</li> </ol>

2	STORE_OK	MTP storing state indicator. If MTP storing has finished without errors, this bit is set. The stored MTP commands are: STORE_ALL (15h), STORE_USER_ALL (17h), STORE_S3 (F5h), and DBG_MTP (F7h).  1'b0: MTP storing is not complete 1'b1: MTP storing has completed without errors
1	CML_OTHER_FAULT	Other CML fault indicator. If a false start or stop bit shows up during a normal I <sup>2</sup> C command, this bit is set and latched.  1'b0: No other CML fault has occurred 1'b1: A different CML fault has occurred
0	MTP_SIGNATURE_FAULT	MTP signature fault indicator. If the first 2 bytes of the MTP are not 16'h1234, this bit is set and latched.  1'b0: No MTP_SIGNATURE_FAULT has occurred 1'b1: MTP_SIGNATURE_FAULT has occurred

### SYS\_STATE\_DBG (80h)

The SYS\_STATE\_DBG command records the state machine working in digital format. It is for debugging use.

<b>Command</b>	SYS_STATE_DBG							
<b>Format</b>	Unsigned binary							
<b>Bit</b>	7	6	5	4	3	2	1	0
<b>Access</b>	R	R	R	R	R	R	R	R
<b>Function</b>	0	CHIP_PWR_ON_STATE			VR_OFF	SYS_CRTL_STATE		

Bits	Bit Name	Description
7	RESERVED	Reserved. Reads are always 0.
6:4	CHIP_PWR_ON_STATE	MTP restoration status after VCC3V3 powers on. 0x03: MTP copying is complete without errors. Normal operation resumes 0x04: There is an MTP signature or cyclic redundancy check (CRC) error 0x06: A protection occurred and was stored into the MTP during the last VCC3V3 on time
3	VR_OFF	CRC or MTP fault indicator. If CRC_FAULT_TOT_EN is high and an MTP_SIGNATURE_FAULT (the first 2 bytes of MTP are not 1234h) or a CRC fault occurs, this bit is set and latched.
2:0	SYS_CRTL_STATE	Indicates the state of the chip. 0x03: Waiting for V <sub>IN</sub> to exit under-voltage lockout (UVLO) conditions 0x04: Normal operation 0x07: Protection

### FINAL\_I2C\_ADDR (81h)

The FINAL\_I2C\_ADDR command returns the final 7-bit I<sup>2</sup>C slave address, regardless of how the pin or register is configured.

<b>Command</b>	FINAL_I2C_ADDR							
<b>Format</b>	Unsigned binary							
<b>Bit</b>	7	6	5	4	3	2	1	0
<b>Access</b>	R	R	R	R	R	R	R	R
<b>Function</b>	0	FINAL_I2C_ADDR						

Bits	Bit Name	Description
7	RESERVED	Not defined. Read-only.
6:0	FINAL_I2C_ADDR	Final I <sup>2</sup> C address of this chip.

**REG\_LAST\_FAULT\_MTP (82h)**

The REG\_LAST\_FAULT\_MTP command records protections. If PROTECT\_FAULT\_RECORD\_EN (07h), bit[1] is set high when any one of the eleven protections in PROTECT\_SIG\_GRP (7Ch) occurs (except  $V_{IN}$  UVLO), PROTECT\_SIG\_GRP (including the VIN\_UVLO bit) are stored into the MTP addresses (8'hF4 and 8'hF5, FAULT\_RECORD bytes).

**REG\_LAST\_FAULT\_MTP (82h)**

The REG\_LAST\_FAULT\_MTP command records protections. If PROTECT\_FAULT\_RECORD\_EN (07h), bit[1] is set high when any one of the 11 protections in PROTECT\_SIG\_GRP (7Ch) occurs (except  $V_{IN}$  UVLO), then PROTECT\_SIG\_GRP (including the VIN\_UVLO bit) is stored to the MTP addresses (8'hF4 and 8'hF5, FAULT\_RECORD bytes).

During the MTP restoration process, including the two FAULT\_RECORD bytes (RESTORE\_ALL (16h), RESTORE\_S3 (F6h) and Page 2 byte read commands), if the first 2 bytes of the MTP are correct (16'h1234), then REG\_LAST\_FAULT\_MTP (82h) is updated.

Command	REG_LAST_FAULT_MTP															
Format	Unsigned binary															
Bit	15	14	13	12	11	10	9	8	7	6	5	4	3	2	1	0
Access	R	R	R	R	R	R	R	R	R	R	R	R	R	R	R	R
Function																

Bits	Bit Name	Description
15:0	REG_LAST_FAULT_MTP	Read result of the recorded PROTECT_SIG_GRP (7Ch) in the MTP. Can be reset by sending a CLR_LAST_FAULT_WMTP command (F1h) on Page 0, Page 1, or Page 3 (not Page 2) when there is no writing or reading to the MTP. It is updated during MTP restoration, which includes the two FAULT_RECORD MTP addresses (8'hf4 and 8'hf5), if the first 2 bytes of the MTP are 16'h1234.

**READ\_VIN (88h)**

The READ\_VIN command returns the calculated  $V_{IN}$  from the ADC sample result on the MP2981's VINSIN pin.

Command	READ_VIN															
Format	Unsigned binary															
Bit	15	14	13	12	11	10	9	8	7	6	5	4	3	2	1	0
Access	R	R	R	R	R	R	R	R	R	R	R	R	R	R	R	R
Function	0	0	0	0	0	0										READ_VIN

Bits	Bit Name	Description
15:10	RESERVED	Not defined. Read-only.
9:0	READ_VIN	0.125V/LSB.

**READ\_VOUT (8Bh)**

The READ\_VOUT command returns the calculated  $V_{OUT}$  from the ADC sample result on the VOSEN pin.

Command	READ_VOUT															
Format	Unsigned binary															
Bit	15	14	13	12	11	10	9	8	7	6	5	4	3	2	1	0
Access	R	R	R	R	R	R	R	R	R	R	R	R	R	R	R	R
Function	0	0	0	0	0	0	0									READ_VOUT

Bits	Bit Name	Description
15:9	RESERVED	Not defined. Read-only.
8:0	READ_VOUT	62.5mV/LSB.

### READ\_IOUT (8Ch)

The READ\_IOUT command returns the calculated I<sub>OUT</sub> from the ADC sample result on the IMON pin.

Command	READ_IOUT															
Format	Unsigned binary															
Bit	15	14	13	12	11	10	9	8	7	6	5	4	3	2	1	0
Access	R	R	R	R	R	R	R	R	R	R	R	R	R	R	R	R
Function	0	0	0	0	0	0	READ_IOUT									

Bits	Bit Name	Description
15:10	RESERVED	Not defined. Read-only.
9:0	READ_IOUT	0.25A/LSB.

### READ\_TEMP (8Dh)

The READ\_TEMP command returns the calculated DrMOS temperature from the ADC sample result on the TEMP pin.

Command	READ_TEMP							
Format	Unsigned binary							
Bit	7	6	5	4	3	2	1	0
Access	R	R	R	R	R	R	R	R
Function								

Bits	Bit Name	Description
7:0	READ_TEMP	1°C/LSB.

### READ\_DIE\_TEMP (8Eh)

The READ\_DIE\_TEMP command returns the calculated MP2981 die temperature from the ADC sample result of the chip's die temperature sense.

Command	READ_DIE_TEMP							
Format	Unsigned binary							
Bit	7	6	5	4	3	2	1	0
Access	R	R	R	R	R	R	R	R
Function								

Bits	Bit Name	Description
7:0	READ_DIE_TEMP	1°C/LSB.

### USER\_KEY\_INPUT (90h)

The USER\_KEY\_INPUT command sets the PMBus/I<sup>2</sup>C password. After 90h is written with the value of MFR\_USER\_PWD (44h) and start-up restoration completed, writing Page 0 registers is allowed. MFR\_USER\_PWD can be all zeros. This command is write-only. It is not stored in the MTP. After MTP start-up restoration, send the PMBus command to switch to Page 0, and then set register 90h to be equal to MFR\_USER\_PWD.

Command	USER_KEY_INPUT															
Format	Unsigned binary															
Bit	15	14	13	12	11	10	9	8	7	6	5	4	3	2	1	0
Access	W	W	W	W	W	W	W	W	W	W	W	W	W	W	W	W
Function																

Bits	Bit Name	Description
15:0	USER_KEY_INPUT	Password for PMBus/I <sup>2</sup> C communication on Page 0. Set by the user. Write-only.

### READ\_POUT (96h)

The READ\_POUT command returns the monitored output power (P<sub>OUT</sub>) calculated from READ\_VOUT and READ\_IOUT. The PSYS pin value comes from this register. If PSYS\_SEL\_2W (06h), bit[13] is high, then READ\_POUT, bits[10:1] are sent to the internal PSYS DAC. If PSYS\_SEL\_2W (06h), bit[13] is low, then READ\_POUT, bits[9:0] (READ\_POUT, bit[10] = 1 means 10'h3ff) are sent to the DAC. The DAC is 10 bits with a 1.28V range. The DAC output voltage is converted to a current flowing out of PSYS with a 1µA/10mV resolution. Calculate the PSYS current with Equation (20):

$$PSYS\_CURRENT = \frac{1}{0.01V} \times \frac{1.28V}{DAC\_IN\_10BIT} (\mu A) \quad (20)$$

Where DAC\_IN\_10BIT is the 10-bit data inputted into the PSYS DAC.

Command	READ_POUT																
Format	Unsigned binary																
Bit	15	14	13	12	11	10	9	8	7	6	5	4	3	2	1	0	
Access	R	R	R	R	R	R	R	R	R	R	R	R	R	R	R	R	
Function	0	0	0	0	0	READ_POUT											

Bits	Bit Name	Description
15:11	RESERVED	Not defined. Read-only.
10:0	READ_POUT	1W/LSB.

### VIN\_SENSE (99h)

The VIN\_SENSE command returns the MP2981's VINSIN pin's 10-bit ADC sample result. Used for debugging.

Command	VIN_SENSE																
Format	Unsigned binary																
Bit	15	14	13	12	11	10	9	8	7	6	5	4	3	2	1	0	
Access	R	R	R	R	R	R	R	R	R	R	R	R	R	R	R	R	
Function	0	0	0	0	0	0	VIN_SENSE										

Bits	Bit Name	Description
15:10	RESERVED	Not defined. Read-only.
9:0	VIN_SENSE	VINSEN (V) x 1024 / 1.6 (V).

**VOUT\_SENSE (9Ah)**

The VOUT\_SENSE command returns the VOSEN pin's 10-bit ADC sample result. Used for debugging.

<b>Command</b>	VOUT_SENSE																	
<b>Format</b>	Unsigned binary																	
<b>Bit</b>	15	14	13	12	11	10	9	8	7	6	5	4	3	2	1	0		
<b>Access</b>	R	R	R	R	R	R	R	R	R	R	R	R	R	R	R	R		
<b>Function</b>	0	0	0	0	0	0	VOUT_SENSE											

Bits	Bit Name	Description
15:10	RESERVED	Not defined. Read-only.
9:0	VOUT_SENSE	VOSEN (V) x 1024 / 1.6 (V).

**IOUT\_SENSE (9Bh)**

The IOUT\_SENSE command returns the IMON pin's 10-bit ADC sample result. Used for debugging.

<b>Command</b>	IOUT_SENSE																	
<b>Format</b>	Unsigned binary																	
<b>Bit</b>	15	14	13	12	11	10	9	8	7	6	5	4	3	2	1	0		
<b>Access</b>	R	R	R	R	R	R	R	R	R	R	R	R	R	R	R	R		
<b>Function</b>	0	0	0	0	0	0	IOUT_SENSE											

Bits	Bit Name	Description
15:10	RESERVED	Not defined. Read-only.
9:0	IOUT_SENSE	VIMON (V) x 1024 / 1.6 (V).

**TEMP\_SENSE (9Ch)**

The TEMP\_SENSE command returns the TEMP pin's 10-bit ADC sample result. Used for debugging.

<b>Command</b>	TEMP_SENSE																	
<b>Format</b>	Unsigned binary																	
<b>Bit</b>	15	14	13	12	11	10	9	8	7	6	5	4	3	2	1	0		
<b>Access</b>	R	R	R	R	R	R	R	R	R	R	R	R	R	R	R	R		
<b>Function</b>	0	0	0	0	0	0	TEMP_SENSE											

Bits	Bit Name	Description
15:10	RESERVED	Not defined. Read-only.
9:0	TEMP_SENSE	TEMP (V) x 1024 / 1.6 (V).

**DIE\_TEMP\_SENSE (9Dh)**

The DIE\_TEMP\_SENSE command returns the 10-bit ADC sample result of the chip's sensed die temperature. Used for debugging.

<b>Command</b>	DIE_TEMP_SENSE																	
<b>Format</b>	Unsigned binary																	
<b>Bit</b>	15	14	13	12	11	10	9	8	7	6	5	4	3	2	1	0		
<b>Access</b>	R	R	R	R	R	R	R	R	R	R	R	R	R	R	R	R		
<b>Function</b>	0	0	0	0	0	0	DIE_TEMP_SENSE											

Bits	Bit Name	Description
15:10	RESERVED	Not defined. Read-only.

9:0	DIE_TEMP_SENSE	<p>The ADC result of the temperature from the internal temperature sensor, typically by design. DIE_TEMP_SENSE can be calculated with the following equation:</p> $\text{DIE\_TEMP\_SENSE} = \text{INTERNAL\_VOLTAGE} \times 1024 / 1.6$ <p>In default mode, the internal temp voltage (mV) = 9.83T (°C) - 109.8. In VBE mode, voltage (mV) = -1.99T (°C) + 724.0.</p>
-----	----------------	--

### TON\_PWMP (9Eh)

The TON\_PWMP command monitors the output PWMP  $t_{ON}$ . Used for debugging.

<b>Command</b>	TON_PWMP																		
<b>Format</b>	Unsigned binary																		
<b>Bit</b>	15	14	13	12	11	10	9	8	7	6	5	4	3	2	1	0			
<b>Access</b>	R	R	R	R	R	R	R	R	R	R	R	R	R	R	R	R			
<b>Function</b>	0	0	0	0	0	0	TON_PWMP												

Bits	Bit Name	Description
15:10	RESERVED	Not defined. Read-only.
9:0	TON_PWMP	$t_{ON}$ for output PWMPs. 5ns/LSB.

### TON\_SR\_PWM (9Fh)

This register monitors the output SR\_PWMs  $t_{ON}$ . Used for debugging.

<b>Command</b>	TON_SR_PWM																		
<b>Format</b>	Unsigned binary																		
<b>Bit</b>	15	14	13	12	11	10	9	8	7	6	5	4	3	2	1	0			
<b>Access</b>	R	R	R	R	R	R	R	R	R	R	R	R	R	R	R	R			
<b>Function</b>	0	0	0	0	0	0	TON_SR_PWM												

Bits	Bit Name	Description
15:10	RESERVED	Not defined. Read-only.
9:0	TON_SR_PWM	$t_{ON}$ for output SR_PWMs. 5ns/LSB.

### CLR\_LAST\_FAULT\_WMTP (F1h)

The CLR\_LAST\_FAULT\_WMTP command writes the 2 FAULT\_RECORD bytes of the MTP to 0000h, and clears the REG\_LAST\_FAULT\_MTP (82h on Page 0) register. It can be sent by Page 0, Page 1, or Page 3 (not Page 2).

This command is only valid when the MTP is not locked, which means that this command is not a write protection. When FAULT\_SINGLE\_EN (07h), bit[3] = 0, sending F1h writes all 32 bytes of the third section of the MTP (8'hE0 to 8'hFF MTP addresses), but the 2 FAULT\_RECORD bytes are written to 0000h. When FAULT\_SINGLE\_EN = 1, sending F1h only writes the 2 bytes of the MTP, and not all 32 bytes.

### READ\_LAST\_FAULT\_TRIG (F2h)

Do not send this command.

### CLEAR\_STORE\_FAULTS (F3h)

The CLEAR\_STORE\_FAULTS command clears faults. If start-up is paused by MTP\_LAST\_FAULT (the data of the 2 FAULT\_RECORD bytes in the MTP are not all zeros, or are not found during the start-up restoration), sending F3h forces the device to continue start-up. The REG\_LAST\_FAULT\_MTP register (82h) and the 2 bytes in the MTP are not reset by this command. It can be sent by Page 0, Page 1, or Page 3 (not Page 2).

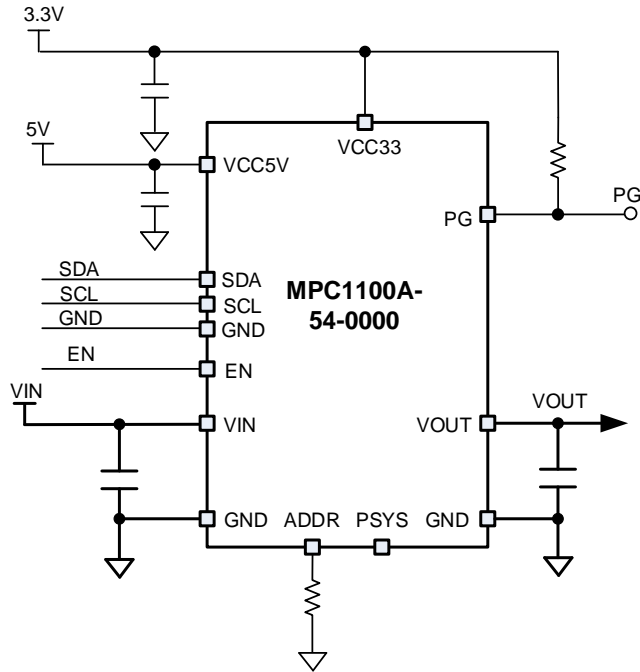
**CLEAR\_MTP\_FAULTS (F4h)**

The CLEAR\_MTP\_FAULTS command clears MTP faults. If start-up is paused due to an MTP\_SIGNATURE fault (the first 2 bytes of the MTP are not 1234h) or a CRC fault, sending the F4h command forces the device into the next state (checking REG\_LAST\_FAULT\_MTP (82h)), and start-up continues.

This command clears all cyclic redundancy check (CRC) errors, clears MTP\_SIGN\_FAULT, and resets the DBG\_MTP\_OK signal (the result to automatically read the MTP after the DBG\_MTP command (F7h) is correct) to 1. It can be sent by Page 0, Page 1, or Page 3 (not Page 2).

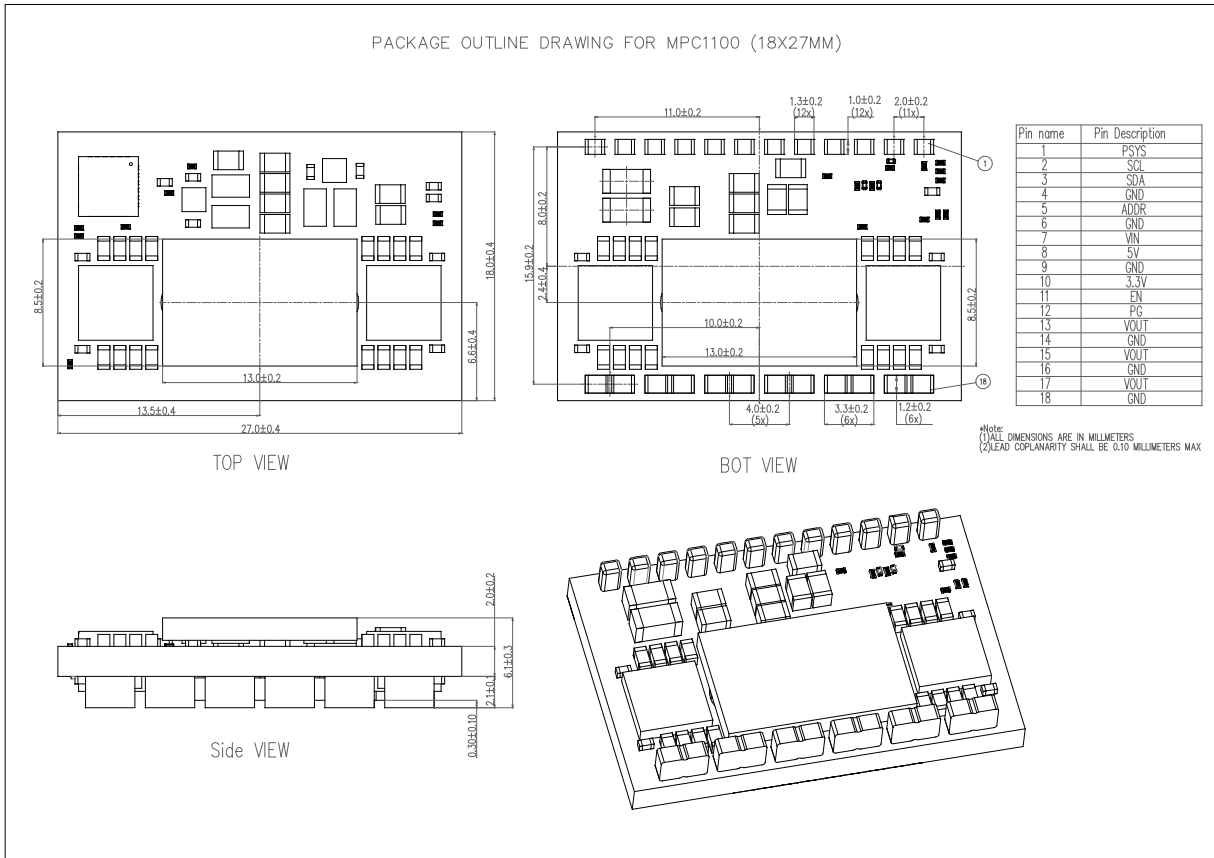


### TYPICAL APPLICATION CIRCUIT

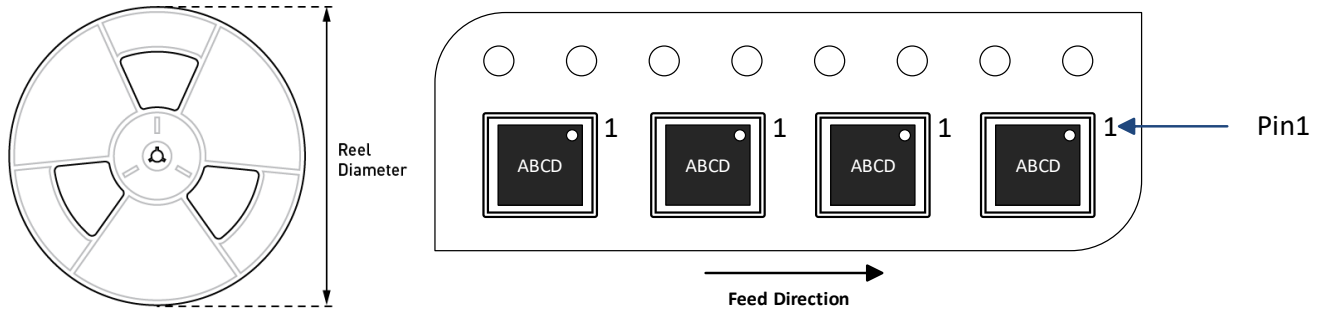


## PACKAGE INFORMATION

### Surface-Mount (18mmx27mmx6mm)



### CARRIER INFORMATION



Part Number	Package Description	Quantity/ Reel	Quantity/ Tube	Reel Diameter	Carrier Tape Width	Carrier Tape Pitch
MPC1100A-54-0000-Z	Surface-mount (18mmx27mmx6mm)	300	N/A	13in	44mm	24mm



**NOT RECOMMENDED FOR NEW DESIGNS, REFER TO MPC1100C-54-0002**

## REVISION HISTORY

Revision #	Revision Date	Description	Pages Updated
1.0	3/5/2021	Initial Release	-

**Notice:** The information in this document is subject to change without notice. Please contact MPS for current specifications. Users should warrant and guarantee that third-party Intellectual Property rights are not infringed upon when integrating MPS products into any application. MPS will not assume any legal responsibility for any said applications.