

SACB-8/16- 5,0PUR P12 SH - Distributor box



1155993

<https://www.phoenixcontact.com/pc/products/1155993>

Please be informed that the data shown in this PDF document is generated from our online catalog. Please find the complete data in the user documentation. Our general terms of use for downloads are valid.



Distributor box, application: Standard, connection method: M12 PUSH-PULL female connector Metal, number of slots: 8, number of positions: 5, coding: A, slot assignment: Double, status display: No, Universal; master cable connection: Fixed connection 180°, PUR/PVC, cable length: 5 m, shielding: yes

Your advantages

- Safety in the field, thanks to molded housing and high degree of protection
- Save space: distributor box with double occupancy for two sensors in one slot
- Reliable signal transmission – 360° shielding in environments with electromagnetic interference

Commercial data

| | |
|--------------------------------------|---------------|
| Item number | 1155993 |
| Packing unit | 1 pc |
| Minimum order quantity | 1 pc |
| Product key | BF3CDA |
| GTIN | 4063151157975 |
| Weight per piece (including packing) | 1,798 g |
| Weight per piece (excluding packing) | 1,798 g |
| Customs tariff number | 85444290 |
| Country of origin | DE |

1155993

<https://www.phoenixcontact.com/pc/products/1155993>

Technical data

Notes

| | |
|---------------------|--|
| Assembly note | NOTE: Observe the permissible bending radii when laying conductors, since the degree of protection may be put in jeopardy if the bending forces are too high. Alleviate mechanical loads upstream of the connector, e.g. by using cable ties. |
| Note on application | Unused slots are to be sealed off prior to commissioning. Suitable sealing elements are to be found under "Accessories". |

Product properties

| | |
|---------------------|-----------------|
| Product type | Distributor box |
| Application | Standard |
| Number of positions | 5 |
| Number of slots | 8 |
| Coding | A |

Data management status

| | |
|------------------|----|
| Article revision | 01 |
|------------------|----|

Electrical properties

| | |
|---|--------------------|
| Nominal voltage U_N | 48 V AC |
| | 60 V DC |
| Rated current, total | 12 A (up to 40 °C) |
| Max. current carrying capacity per path | 2 A |
| Current carrying capacity per slot | 4 A |

Connection data

Conductor connection

| | |
|--|--------------------------------|
| Sensor/actuator connection system | M12 PUSH-PULL female connector |
| Tightening torque slot sensor/actuator cable | 0.4 Nm |

Pin assignment

| | |
|--|------------------|
| Slot/position = Wire color or connection | 1 / 4 (A) = WH |
| | 1 / 2 (B) = GYPK |
| | 2 / 4 (A) = GN |
| | 2 / 2 (B) = RDBU |
| | 3 / 4 (A) = YE |
| | 3 / 2 (B) = WHGN |
| | 4 / 4 (A) = GY |
| | 4 / 2 (B) = BNGN |
| | 5 / 4 (A) = PK |
| | 5 / 2 (B) = WHYE |
| 6 / 4 (A) = RD | |
| 6 / 2 (B) = YEBN | |

SACB-8/16- 5,0PUR P12 SH - Distributor box



1155993

<https://www.phoenixcontact.com/pc/products/1155993>

| | |
|--|-----------------------|
| | 7 / 4 (A) = BK |
| | 7 / 2 (B) = WHGY |
| | 8 / 4 (A) = VT |
| | 8 / 2 (B) = GYBN |
| | 1-8 / 1 (+ 48 V) = BN |
| | 1-8 / 3 (0 V) = BU |
| | 1-8 / 5 (PE) = GNYE |

Signaling

| | |
|------------------------|----|
| Status display present | No |
|------------------------|----|

Dimensions

| | |
|---------------------|--------|
| Dimensional drawing | |
| Width | 58 mm |
| Height | 26 mm |
| Length | 153 mm |

Material specifications

| | |
|--|---------------|
| Material Threaded sleeve | Die-cast zinc |
| Material Housing | Die-cast zinc |
| Material Molding compound | PUR |
| Flammability rating according to UL 94 | V0 |
| Seal material O-ring | FKM |
| Contact material | Cu alloy |
| Contact surface material | gold-plated |
| Contact carrier material | PA |

Cable/line

| | |
|--------------|-----|
| Cable length | 5 m |
|--------------|-----|

PUR/PVC shielded, black [PUR]

| | |
|---------------------|--|
| Dimensional drawing | |
|---------------------|--|

SACB-8/16- 5,0PUR P12 SH - Distributor box



1155993

<https://www.phoenixcontact.com/pc/products/1155993>

| | |
|---|--|
| Number of positions | 19 |
| Shielded | yes |
| Cable type | PUR/PVC shielded, black [PUR] |
| Conductor structure signal line | 64x 0.10 mm |
| AWG signal line | 20 |
| Conductor cross section | 16x 0.5 mm ² (Signal line) 3x 1 mm ² (Power supply) |
| External cable diameter | 11.60 mm ±0.3 mm |
| Outer sheath, material | PUR |
| External sheath, color | deep black RAL 9005 |
| Conductor material | Bare Cu litz wires |
| Material wire insulation | PVC |
| Single wire, color | brown, blue, green/yellow, white, green, yellow, gray, pink, red, black, violet, gray/pink, red/blue, white/green, brown/green, white/yellow, yellow/brown, white/gray, gray/brown |
| Overall twist | Wires twisted in layers |
| Nominal voltage, cable | 300 V |
| Test voltage | 2000 V |
| Max. bending cycles | 1500000 |
| Minimum bending radius, drag chain applications | 10 x D |
| Traversing path | 2 m |
| Traversing rate | 2 m/s |
| Flame resistance | DIN EN 50265 |
| Resistance to oil | according to VDE 0472 Part 803 |
| Other resistance | Highly resistant to acids, alkaline solutions and solvents |
| Special properties | Silicone-free Free of substances which would hinder coating with paint or varnish |
| Ambient temperature (operation) | -40 °C ... 90 °C (cable, fixed installation) -5 °C ... 80 °C (Cable, flexible installation) |

Environmental and real-life conditions

Ambient conditions

| | |
|---------------------------------|------------------|
| Degree of protection | IP65 |
| Ambient temperature (operation) | -25 °C ... 70 °C |

Standards and regulations

M12

| | |
|--------------------------|-----------------|
| Standard designation | M12 connector |
| Standards/specifications | IEC 61076-2-101 |

SACB-8/16- 5,0PUR P12 SH - Distributor box

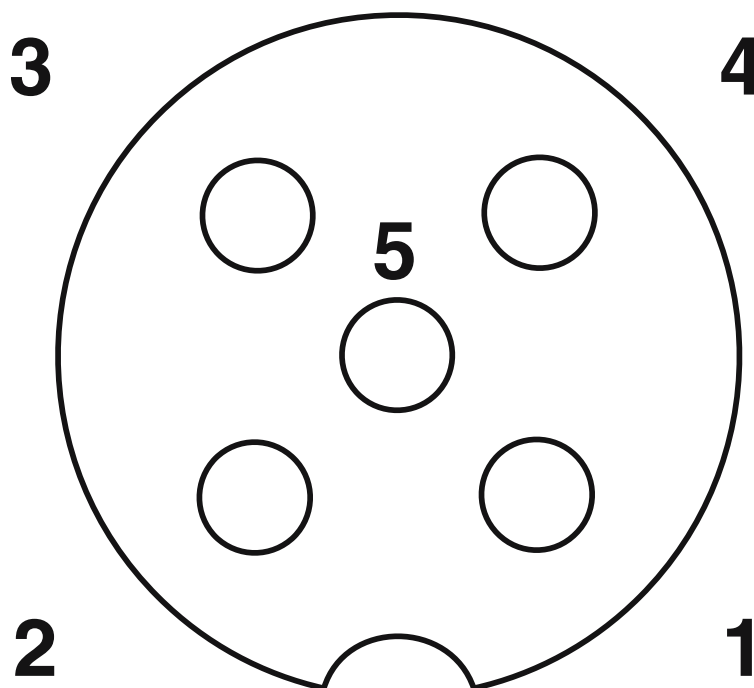


1155993

<https://www.phoenixcontact.com/pc/products/1155993>

Drawings

Schematic diagram



M12 slot, socket, 5-pos.

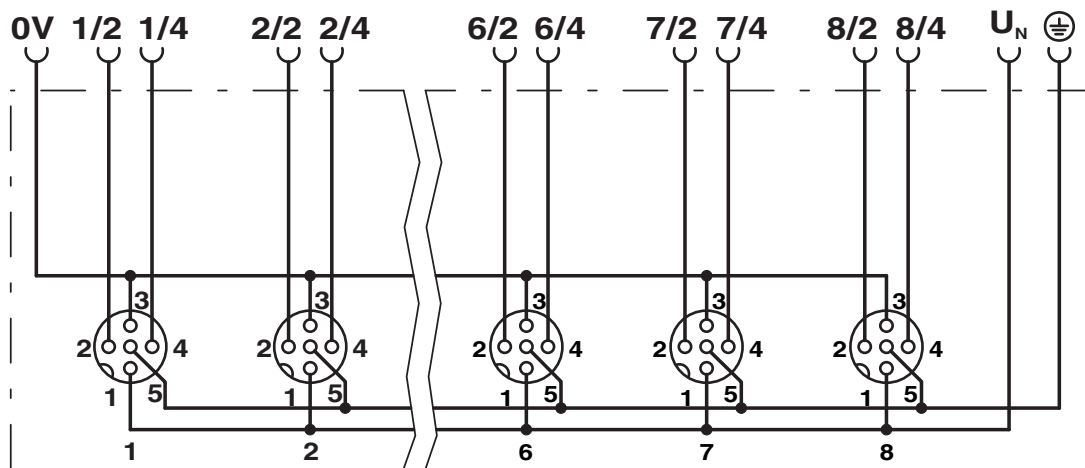
SACB-8/16- 5,0PUR P12 SH - Distributor box



1155993

<https://www.phoenixcontact.com/pc/products/1155993>

Circuit diagram



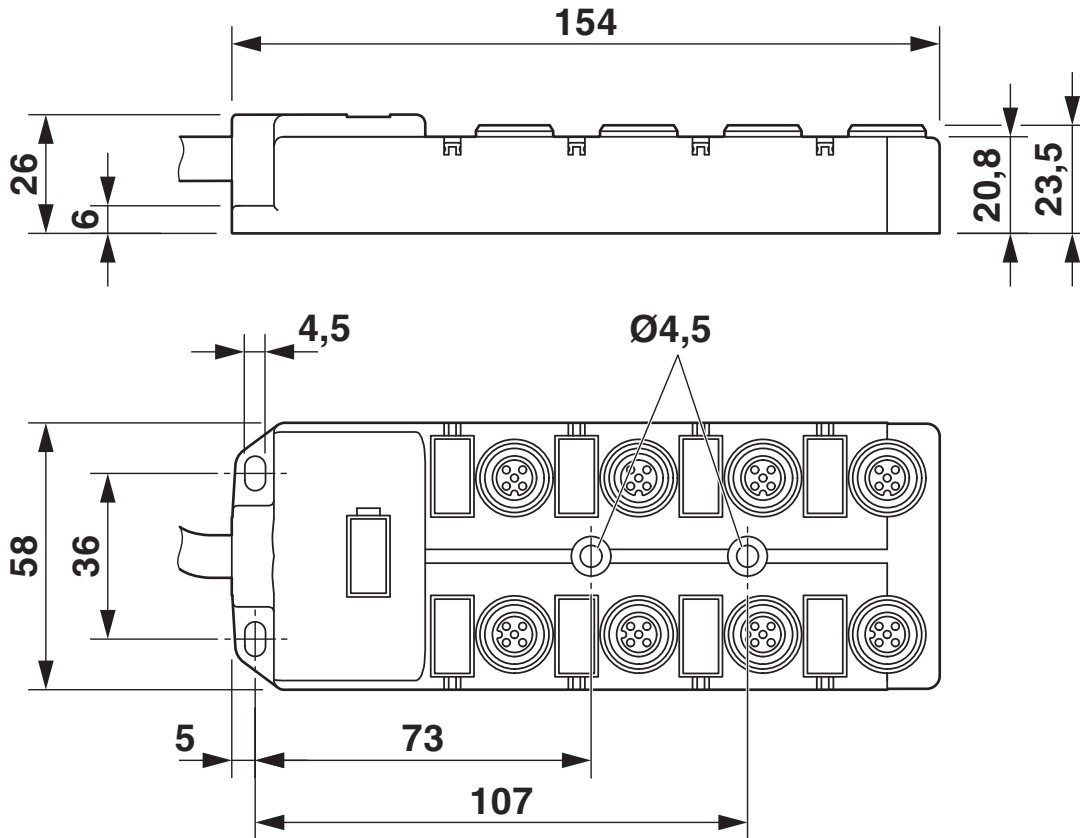
SACB-8/16- 5,0PUR P12 SH - Distributor box



1155993

<https://www.phoenixcontact.com/pc/products/1155993>

Dimensional drawing



SACB-8/16- 5,0PUR P12 SH - Distributor box



1155993

<https://www.phoenixcontact.com/pc/products/1155993>

Classifications

ECLASS

| | |
|-------------|----------|
| ECLASS-11.0 | 27440108 |
| ECLASS-12.0 | 27440108 |
| ECLASS-13.0 | 27440108 |

ETIM

| | |
|----------|----------|
| ETIM 9.0 | EC002585 |
|----------|----------|

UNSPSC

| | |
|-------------|----------|
| UNSPSC 21.0 | 31251500 |
|-------------|----------|

1155993

<https://www.phoenixcontact.com/pc/products/1155993>

Environmental product compliance

EU RoHS

| | |
|---|------|
| Fulfills EU RoHS substance requirements | Yes |
| Exemption | 6(a) |

China RoHS

| | |
|--|---|
| Environment friendly use period (EFUP) | EFUP-50 |
| | An article-related China RoHS declaration table can be found in the download area for the respective article under "Manufacturer declaration". For all articles with EFUP-E, no China RoHS declaration table issued and required. |

EU REACH SVHC

| | |
|-------------------------------------|--------------------------------------|
| REACH candidate substance (CAS No.) | Lead(CAS: 7439-92-1) |
| SCIP | 5b5560f1-993a-4d13-b3f6-619e64ad9272 |

SACB-8/16- 5,0PUR P12 SH - Distributor box



1155993

<https://www.phoenixcontact.com/pc/products/1155993>

Accessories

PROT M12 MS PWR - Screw plug

1092802

<https://www.phoenixcontact.com/pc/products/1092802>



An M12 screw plug for the unoccupied M12 females of the M12 POWER connectors, boxes, and flush-type connectors

UC-EM (17,5X9) - Snap-in markers

0827490

<https://www.phoenixcontact.com/pc/products/0827490>



Snap-in markers, Sheet, white, unlabeled, can be labeled with: BLUEMARK ID, BLUEMARK ID COLOR, BLUEMARK CLED, BLUEMARK LED, CMS-P1-PLOTTER, PLOTMARK, mounting type: snapped, lettering field size: 17.5 x 9 mm, Number of individual labels: 20

SACB-8/16- 5,0PUR P12 SH - Distributor box



1155993

<https://www.phoenixcontact.com/pc/products/1155993>

UC-EM (17,5X9) CUS - Snap-in markers

0828238

<https://www.phoenixcontact.com/pc/products/0828238>



Snap-in markers, can be ordered: by sheet, white, labeled according to customer specifications, mounting type: snapped into marker carrier, lettering field size: 17.5 x 9 mm, Number of individual labels: 20

UCT-EM (17,5X9) - Snap-in markers

0801491

<https://www.phoenixcontact.com/pc/products/0801491>



Snap-in markers, Sheet, white, unlabeled, can be labeled with: TOPMARK NEO, TOPMARK LASER, BLUEMARK ID COLOR, BLUEMARK ID, BLUEMARK CLED, THERMOMARK PRIME, THERMOMARK CARD 2.0, THERMOMARK CARD, mounting type: snapped, lettering field size: 17.5 x 9 mm, Number of individual labels: 24

SACB-8/16- 5,0PUR P12 SH - Distributor box



1155993

<https://www.phoenixcontact.com/pc/products/1155993>

UCT-EM (17,5X9) CUS - Snap-in markers

0801575

<https://www.phoenixcontact.com/pc/products/0801575>

UniCard sheet, for labeling devices from other manufacturers, for overview table see download area, labeled according to customer specifications

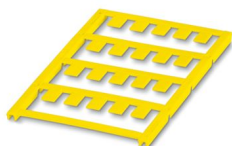


UC-EM (17,5X9) YE - Snap-in markers

0827494

<https://www.phoenixcontact.com/pc/products/0827494>

Snap-in markers, Sheet, yellow, unlabeled, can be labeled with: BLUEMARK ID COLOR, BLUEMARK ID, BLUEMARK CLED, PLOTMARK, CMS-P1-PLOTTER, mounting type: snapped, lettering field size: 17.5 x 9 mm, Number of individual labels: 20



SACB-8/16- 5,0PUR P12 SH - Distributor box



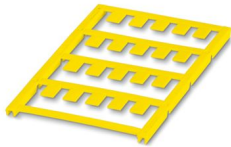
1155993

<https://www.phoenixcontact.com/pc/products/1155993>

UC-EM (17,5X9) YE CUS - Snap-in markers

0828239

<https://www.phoenixcontact.com/pc/products/0828239>



Snap-in markers, can be ordered: by sheet, yellow, labeled according to customer specifications, mounting type: snapped into marker carrier, lettering field size: 17.5 x 9 mm, Number of individual labels: 20

UCT-EM (17,5X9) YE - Snap-in markers

0801492

<https://www.phoenixcontact.com/pc/products/0801492>



Snap-in markers, Sheet, yellow, unlabeled, can be labeled with: TOPMARK NEO, TOPMARK LASER, BLUEMARK ID COLOR, BLUEMARK ID, BLUEMARK CLED, THERMOMARK PRIME, THERMOMARK CARD 2.0, THERMOMARK CARD, mounting type: snapped, lettering field size: 17.5 x 9 mm, Number of individual labels: 24

SACB-8/16- 5,0PUR P12 SH - Distributor box

1155993

<https://www.phoenixcontact.com/pc/products/1155993>



UCT-EM (17,5X9) YE CUS - Snap-in markers

0801576

<https://www.phoenixcontact.com/pc/products/0801576>

UniCard sheet, for labeling devices from other manufacturers, for overview table see download area, labeled according to customer specifications



UTA 136 - DIN rail adapter

2853996

<https://www.phoenixcontact.com/pc/products/2853996>

Universal DIN rail adapter, for screwing on switchgear



SACB-8/16- 5,0PUR P12 SH - Distributor box



1155993

<https://www.phoenixcontact.com/pc/products/1155993>

TSD 04 SAC - Torque screwdriver

1208429

<https://www.phoenixcontact.com/pc/products/1208429>



Torque screwdriver, with preset torque of 0.4 Nm and 4 mm hexagonal drive for M12 connectors

TSD-M 1,2NM - Torque screwdriver

1212224

<https://www.phoenixcontact.com/pc/products/1212224>



Torque screw driver, accuracy as per EN ISO 6789 standard, adjustable from 0.3 - 1.2 Nm

SACB-8/16- 5,0PUR P12 SH - Distributor box



1155993

<https://www.phoenixcontact.com/pc/products/1155993>

TSD-M SAC-BIT ADAPTER - Adapter insert

1212600

<https://www.phoenixcontact.com/pc/products/1212600>



Adapter bit for TSD-M...torque tools, E6.3-1/4" drive with 4 mm hexagon to accommodate SAC bits

SAC BIT M12-D15 - Tool

1208432

<https://www.phoenixcontact.com/pc/products/1208432>



Nut for assembling sensor/actuator cables with M12 connector and M12 connectors for assembly, with a knurl diameter of 15 mm, for 4 mm hexagonal drive

SACB-8/16- 5,0PUR P12 SH - Distributor box



1155993

<https://www.phoenixcontact.com/pc/products/1155993>

SACC BIT M12-D20 - Tool

1208445

<https://www.phoenixcontact.com/pc/products/1208445>

Nut for assembling M12 connectors for assembly with a knurl diameter of 20 mm, for 4 mm hexagonal drive



WIREFOX-D 40 - Stripping tool

1212161

<https://www.phoenixcontact.com/pc/products/1212161>

Stripping tool, for stripping cables of 4.5 mm - 40 mm-Ø, insulation thickness of up to 4.5 mm, pivoting blade for round, lengthwise, and spiral cuts



SACB-8/16- 5,0PUR P12 SH - Distributor box



1155993

<https://www.phoenixcontact.com/pc/products/1155993>

WIREFOX 2,5 - Stripping tool

1212368

<https://www.phoenixcontact.com/pc/products/1212368>



Stripping tool, for conductors and cables with a conductor cross section from 0.08 to 2.5 mm, self-adjusting, stripping length adjustable up to 15 mm, cutting capacity up to 6 mm² stranded/1.5 mm² solid

WIREFOX-MP VDE - Stripping tool

1212528

<https://www.phoenixcontact.com/pc/products/1212528>



Multifunction stripping tool, for removing the jacket from cables with a diameter of 8 to 13 mm, for stripping cables with a cross section of 0.2 to 10 mm², with full-fledged diagonal cutter, VDE 1000 V AC/1500 V DC tested

Phoenix Contact 2024 © - all rights reserved
<https://www.phoenixcontact.com>

PHOENIX CONTACT GmbH & Co. KG
Flachsmarktstraße 8
D-32825 Blomberg
+49 (0) 5235-3 00
info@phoenixcontact.com