

VS-09-GC-ST/ST - D-SUB gender changer



1652651

<https://www.phoenixcontact.com/us/products/1652651>

Please be informed that the data shown in this PDF document is generated from our online catalog. Please find the complete data in the user documentation. Our general terms of use for downloads are valid.

D-SUB contact insert, shell size 1, with nine signal contacts, type of contact pin, gender changer, fixing with 4-40 UNC thread



Commercial data

| | |
|--------------------------------------|---------------------|
| Item number | 1652651 |
| Packing unit | 10 pc |
| Minimum order quantity | 10 pc |
| Sales key | AB19 |
| Product key | ABNCAA |
| Catalog page | Page 380 (C-6-2017) |
| GTIN | 4017918952792 |
| Weight per piece (including packing) | 8.44 g |
| Weight per piece (excluding packing) | 8.3 g |
| Customs tariff number | 85366990 |
| Country of origin | DE |

VS-09-GC-ST/ST - D-SUB gender changer



1652651

<https://www.phoenixcontact.com/us/products/1652651>

Technical data

Product properties

| | |
|---------------------|-------------|
| Product type | Male insert |
| Type | D-SUB |
| Sensor type | Universal |
| Number of positions | 9 |
| Type | Male/Male |
| Shielded | no |
| Cable outlet | straight |

Data management status

| | |
|------------------|----|
| Article revision | 02 |
|------------------|----|

Insulation characteristics

| | |
|----------------------|-----|
| Overvoltage category | III |
| Degree of pollution | 2 |

Electrical properties

| | |
|-----------------------|--------|
| Rated voltage (III/3) | 125 V |
| Rated surge voltage | 1 kV |
| Rated current | 5 A |
| Transmission medium | Copper |

Connection data

| | |
|-------------------|----------------|
| Connection method | Gender changer |
|-------------------|----------------|

Material specifications

| | |
|--|------------------------------|
| Flammability rating according to UL 94 | V0 |
| Housing material | Stainless steel |
| Contact material | Copper alloy |
| Contact surface material | Hard gold-plated over nickel |
| Contact carrier material | Polyester GF |

Mechanical properties

Mechanical data

| | |
|-----------------------------|-------|
| Insertion/withdrawal cycles | ≥ 200 |
|-----------------------------|-------|

Environmental and real-life conditions

Ambient conditions

| | |
|---------------------------------|-------------------|
| Degree of protection | IP20 |
| Ambient temperature (operation) | -55 °C ... 125 °C |

Mounting

VS-09-GC-ST/ST - D-SUB gender changer



1652651

<https://www.phoenixcontact.com/us/products/1652651>

| Mounting type | Threads |
|---------------|---------|
|---------------|---------|

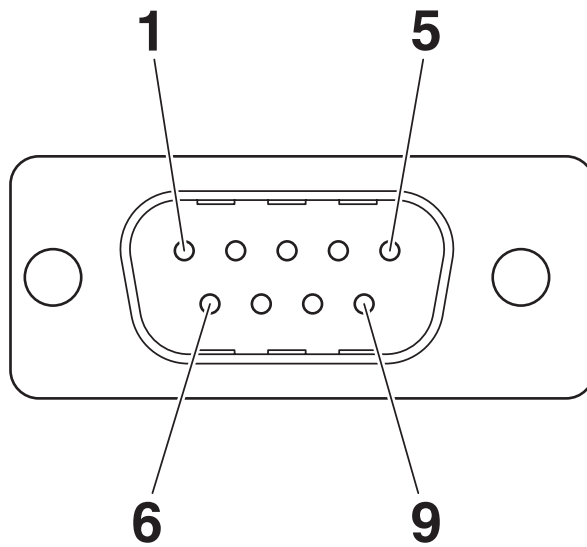
VS-09-GC-ST/ST - D-SUB gender changer

1652651

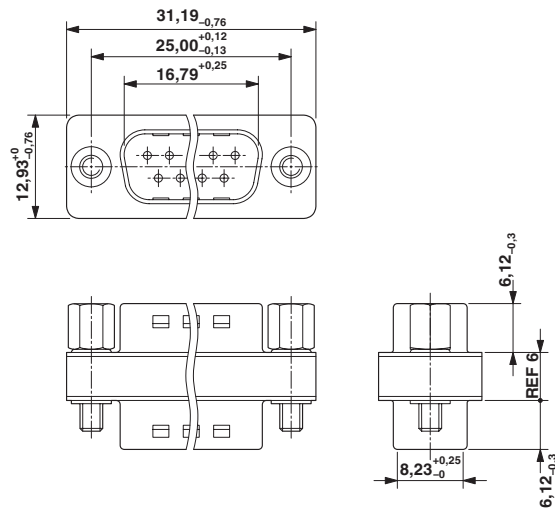
<https://www.phoenixcontact.com/us/products/1652651>

Drawings

Schematic diagram



Dimensional drawing



Gender changer

VS-09-GC-ST/ST - D-SUB gender changer



1652651

<https://www.phoenixcontact.com/us/products/1652651>

Classifications

ECLASS

| | |
|-------------|----------|
| ECLASS-11.0 | 27440223 |
| ECLASS-12.0 | 27440223 |
| ECLASS-13.0 | 27440223 |

ETIM

| | |
|----------|----------|
| ETIM 9.0 | EC003557 |
|----------|----------|

UNSPSC

| | |
|-------------|----------|
| UNSPSC 21.0 | 39121400 |
|-------------|----------|

VS-09-GC-ST/ST - D-SUB gender changer



1652651

<https://www.phoenixcontact.com/us/products/1652651>

Environmental product compliance

EU RoHS

| | |
|---|--------------------|
| Fulfills EU RoHS substance requirements | Yes, No exemptions |
|---|--------------------|

China RoHS

| | |
|--|--|
| Environment friendly use period (EFUP) | EFUP-E |
| | No hazardous substances above the limits |

EU REACH SVHC

| | |
|-------------------------------------|----------------------------|
| REACH candidate substance (CAS No.) | No substance above 0.1 wt% |
|-------------------------------------|----------------------------|

Phoenix Contact 2024 © - all rights reserved
<https://www.phoenixcontact.com>

Phoenix Contact USA
586 Fulling Mill Road
Middletown, PA 17057, United States
(+717) 944-1300
info@phoenixcon.com