

# EM-2RSC/21AU-R/L-P - Extension module



2908701

<https://www.phoenixcontact.com/us/products/2908701>

Please be informed that the data shown in this PDF document is generated from our online catalog. Please find the complete data in the user documentation. Our general terms of use for downloads are valid.



Relay extension module for ELR-...-P hybrid motor starters, feedback of forward and reverse running when control signal is present, screw connection, DIN rail connector included

## Commercial data

Item number	2908701
Packing unit	1 pc
Minimum order quantity	1 pc
Sales key	C472
Product key	CK7485
Catalog page	Page 26 (C-5-2019)
GTIN	4055626323183
Weight per piece (including packing)	164.22 g
Weight per piece (excluding packing)	129.1 g
Customs tariff number	85364190
Country of origin	DE

# EM-2RSC/21AU-R/L-P - Extension module



2908701

<https://www.phoenixcontact.com/us/products/2908701>

## Technical data

### Product properties

Product type	Extension module
Product family	CONTACTRON

### Data management status

Article revision	02
------------------	----

### Electrical properties

#### Insulation characteristics

Rated insulation voltage	250 V
Rated surge voltage	4 kV
Degree of pollution	2

### Output data

Contact switching type	1 changeover contact
Rated operating voltage $U_e$	24 V DC
	230 V AC
Switching capacity in accordance with IEC 60947-5-1	3 A (230 V, AC15)
	2 A (24 V, DC13)

### Connection data

#### Load circuit

Connection method	Screw connection
Stripping length	8 mm
Screw thread	M3
Conductor cross section rigid	0.2 mm <sup>2</sup> ... 2.5 mm <sup>2</sup>
Conductor cross section flexible	0.2 mm <sup>2</sup> ... 2.5 mm <sup>2</sup>
Conductor cross section AWG	24 ... 14
Tightening torque	0.5 Nm ... 0.6 Nm
	5 lb <sub>F</sub> -in. ... 7 lb <sub>F</sub> -in.

#### INTERFACE system

Connection method	DIN rail bus connectors
Number of connections	1
Number of positions	5

### Dimensions

Width	22.5 mm
Height	106.6 mm
Depth	113.7 mm

### Environmental and real-life conditions

# EM-2RSC/21AU-R/L-P - Extension module



2908701

<https://www.phoenixcontact.com/us/products/2908701>

## Ambient conditions

Degree of protection	IP20
Ambient temperature (operation)	-25 °C ... 70 °C
Ambient temperature (storage/transport)	-40 °C ... 80 °C

## Approvals

### UKCA

Certificate	UKCA-compliant
-------------	----------------

### UL approval

Certificate	NLDX.E228652
	NRNT.E172140

### UL data

Category code	NLDX / NRNT
Ambient temperature (operation)	-25 °C ... 55 °C

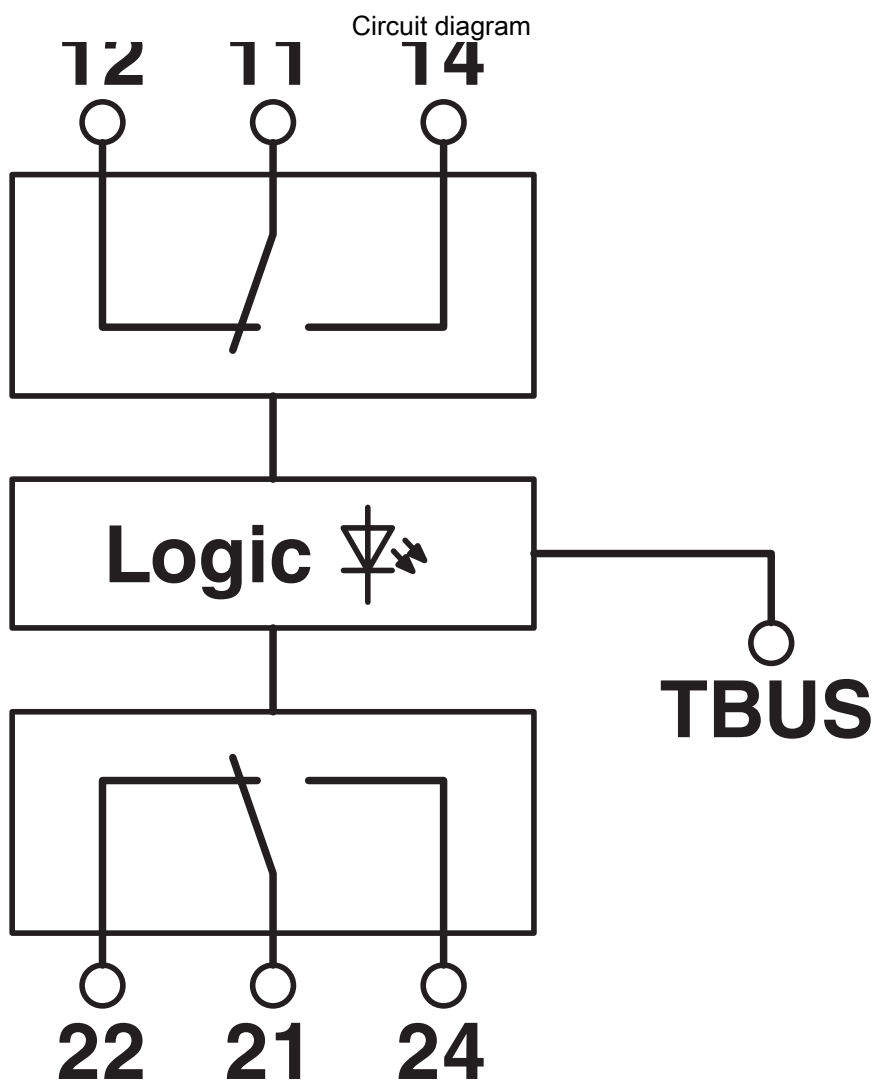
## Standards and regulations

Standards/regulations	IEC 60947-5-1
-----------------------	---------------

## Mounting

Mounting type	DIN rail mounting
Assembly note	in rows with zero spacing
Mounting position	Vertical (horizontal DIN rail)

Drawings



# EM-2RSC/21AU-R/L-P - Extension module



2908701

<https://www.phoenixcontact.com/us/products/2908701>

## Approvals

To download certificates, visit the product detail page: <https://www.phoenixcontact.com/us/products/2908701>



**EAC**

Approval ID: RU\*DE\*08.B.01841/19



**UL Listed**

Approval ID: FILE E 172140



**cUL Listed**

Approval ID: FILE E 172140



**cUL Listed**

Approval ID: E228652



**UL Listed**

Approval ID: E228652

# EM-2RSC/21AU-R/L-P - Extension module



2908701

<https://www.phoenixcontact.com/us/products/2908701>

## Classifications

### ECLASS

ECLASS-11.0	27371601
ECLASS-12.0	27371601
ECLASS-13.0	27371601

### ETIM

ETIM 9.0	EC001437
----------	----------

### UNSPSC

UNSPSC 21.0	39122300
-------------	----------

# EM-2RSC/21AU-R/L-P - Extension module



2908701

<https://www.phoenixcontact.com/us/products/2908701>

## Environmental product compliance

### EU RoHS

Fulfills EU RoHS substance requirements	Yes
Exemption	7(a), 7(c)-I

### China RoHS

Environment friendly use period (EFUP)	EFUP-50
	An article-related China RoHS declaration table can be found in the download area for the respective article under "Manufacturer declaration". For all articles with EFUP-E, no China RoHS declaration table issued and required.

### EU REACH SVHC

REACH candidate substance (CAS No.)	Lead(CAS: 7439-92-1)
SCIP	9d4334fb-310f-44a7-9c6c-7a884dcb7077

# EM-2RSC/21AU-R/L-P - Extension module



2908701

<https://www.phoenixcontact.com/us/products/2908701>

## Mandatory accessories

### ELR-TBUS-22,5-P - DIN rail bus connectors

2203861

<https://www.phoenixcontact.com/us/products/2203861>

Special DIN rail connector only suitable for ELR H...-P and EM-...-P.



---

### ELR H5-I-PT- 24DC/500AC-9-P02 - Hybrid motor starter

1160740

<https://www.phoenixcontact.com/us/products/1160740>

Modular hybrid motor starter for starting and reversing motors incl. motor protection and rotary field monitoring, input: 24 V DC, output: 3~, 500 V AC, 9 A, connection method: Push-in connection





# EM-2RSC/21AU-R/L-P - Extension module



2908701

<https://www.phoenixcontact.com/us/products/2908701>

## ELR H5-I-SC- 24DC/500AC-9-P - Hybrid motor starter

2908693

<https://www.phoenixcontact.com/us/products/2908693>



Hybrid motor starter as an alternative to a conventional reversing contactor. Reverses 3~ AC motors up to 9 A and offers motor protection. Possible supply and relay extension via DIN rail connector.

---

## ELR H3-I-SC- 24DC/500AC-9-P - Hybrid motor starter

2908694

<https://www.phoenixcontact.com/us/products/2908694>



Hybrid motor starter as an alternative to a conventional contactor circuit. Starts 3~ AC motors up to 9 A and offers motor protection. Possible supply and relay extension via DIN rail connector.

# EM-2RSC/21AU-R/L-P - Extension module



2908701

<https://www.phoenixcontact.com/us/products/2908701>

## ELR H5-I-SC- 24DC/500AC-3-P - Hybrid motor starter

2908695

<https://www.phoenixcontact.com/us/products/2908695>



Hybrid motor starter as an alternative to a conventional reversing contactor. Reverses 3~ AC motors up to 3 A and offers motor protection. Possible supply and relay extension via DIN rail connector.

---

## ELR H3-I-SC- 24DC/500AC-3-P - Hybrid motor starter

2908696

<https://www.phoenixcontact.com/us/products/2908696>



Hybrid motor starter as an alternative to a conventional contactor circuit. Starts 3~ AC motors up to 3 A and offers motor protection. Possible supply and relay extension via DIN rail connector.

# EM-2RSC/21AU-R/L-P - Extension module



2908701

<https://www.phoenixcontact.com/us/products/2908701>

## ELR H5-IS-SC- 24DC/500AC-9-P - Hybrid motor starter

2908697

<https://www.phoenixcontact.com/us/products/2908697>



Hybrid motor starter as an alternative to a conventional reversing contactor. Reverses 3~ AC motors up to 9 A, provides motor protection and emergency stop up to SIL 3 / PL e. Group shut-down, supply, and relay extension possible via DIN rail connector.

---

## ELR H3-IS-SC- 24DC/500AC-9-P - Hybrid motor starter

2908698

<https://www.phoenixcontact.com/us/products/2908698>



Hybrid motor starter as an alternative to a conventional protective circuit. Starts 3~ AC motors up to 9 A, provides motor protection and emergency stop up to SIL 3/PL e. Group shut-down, supply, and relay extension possible via DIN rail connector.

# EM-2RSC/21AU-R/L-P - Extension module



2908701

<https://www.phoenixcontact.com/us/products/2908701>

## ELR H5-IS-SC- 24DC/500AC-3-P - Hybrid motor starter

2908699

<https://www.phoenixcontact.com/us/products/2908699>



Hybrid motor starter as an alternative to a conventional reversing contactor. Reverses 3~ AC motors up to 3 A, provides motor protection and emergency stop up to SIL 3/PL e. Group shut-down, supply, and relay extension possible via DIN rail connector.

---

## ELR H3-IS-SC- 24DC/500AC-3-P - Hybrid motor starter

2908700

<https://www.phoenixcontact.com/us/products/2908700>



Hybrid motor starter as an alternative to a conventional protective circuit. Starts 3~ AC motors up to 3 A, provides motor protection and emergency stop up to SIL 3/PL e. Group shut-down, supply, and relay extension possible via DIN rail connector.

## EM-2RSC/21AU-R/L-P - Extension module

2908701

<https://www.phoenixcontact.com/us/products/2908701>



## ELR H5-IES-PT- 24DC/500AC-9-P - Hybrid motor starter

2909554

<https://www.phoenixcontact.com/us/products/2909554>



Hybrid motor starter as an alternative to a conventional reversing contactor. Reverses 3~ AC motors up to 9 A, provides motor protection, ATEX, and emergency stop up to SIL 3. Group shut-down, supply, and relay extension possible via DIN rail connector.

---

## ELR H3-IES-PT- 24DC/500AC-9-P - Hybrid motor starter

2909555

<https://www.phoenixcontact.com/us/products/2909555>



Hybrid motor starter as an alternative to a conventional protective circuit. Starts 3~ AC motors up to 9 A, provides motor protection, ATEX, and emergency stop up to SIL 3. Group shut-down, supply, and relay extension possible via DIN rail connector.

# EM-2RSC/21AU-R/L-P - Extension module



2908701

<https://www.phoenixcontact.com/us/products/2908701>

## ELR H5-IES-PT- 24DC/500AC-3-P - Hybrid motor starter

2909556

<https://www.phoenixcontact.com/us/products/2909556>



Hybrid motor starter as an alternative to a conventional reversing contactor. Reverses 3~ AC motors up to 3 A, provides motor protection, ATEX, and emergency stop up to SIL 3. Group shut-down, supply, and relay extension possible via DIN rail connector.

---

## ELR H3-IES-PT- 24DC/500AC-3-P - Hybrid motor starter

2909557

<https://www.phoenixcontact.com/us/products/2909557>



Hybrid motor starter as an alternative to a conventional protective circuit. Starts 3~ AC motors up to 3 A, provides motor protection, ATEX, and emergency stop up to SIL 3. Group shut-down, supply, and relay extension possible via DIN rail connector.

# EM-2RSC/21AU-R/L-P - Extension module



2908701

<https://www.phoenixcontact.com/us/products/2908701>

## ELR H5-I-PT- 24DC/500AC-9-P - Hybrid motor starter

2909560

<https://www.phoenixcontact.com/us/products/2909560>



Hybrid motor starter as an alternative to a conventional reversing contactor. Reverses 3~ AC motors up to 9 A and offers motor protection. Possible supply and relay extension via DIN rail connector.

---

## ELR H3-I-PT- 24DC/500AC-9-P - Hybrid motor starter

2909561

<https://www.phoenixcontact.com/us/products/2909561>



Hybrid motor starter as an alternative to a conventional contactor circuit. Starts 3~ AC motors up to 9 A and offers motor protection. Possible supply and relay extension via DIN rail connector.

# EM-2RSC/21AU-R/L-P - Extension module



2908701

<https://www.phoenixcontact.com/us/products/2908701>

## ELR H5-I-PT- 24DC/500AC-3-P - Hybrid motor starter

2909562

<https://www.phoenixcontact.com/us/products/2909562>



Hybrid motor starter as an alternative to a conventional reversing contactor. Reverses 3~ AC motors up to 3 A and offers motor protection. Possible supply and relay extension via DIN rail connector.

---

## ELR H3-I-PT- 24DC/500AC-3-P - Hybrid motor starter

2909563

<https://www.phoenixcontact.com/us/products/2909563>



Hybrid motor starter as an alternative to a conventional contactor circuit. Starts 3~ AC motors up to 3 A and offers motor protection. Possible supply and relay extension via DIN rail connector.



# EM-2RSC/21AU-R/L-P - Extension module



2908701

<https://www.phoenixcontact.com/us/products/2908701>

## ELR H5-IS-PT- 24DC/500AC-9-P - Hybrid motor starter

2909567

<https://www.phoenixcontact.com/us/products/2909567>



Hybrid motor starter as an alternative to a conventional reversing contactor. Reverses 3~ AC motors up to 9 A, provides motor protection and emergency stop up to SIL 3/PL e. Group shut-down, supply, and relay extension possible via DIN rail connector.

---

## ELR H3-IS-PT- 24DC/500AC-9-P - Hybrid motor starter

2909568

<https://www.phoenixcontact.com/us/products/2909568>



Hybrid motor starter as an alternative to a conventional protective circuit. Starts 3~ AC motors up to 9 A, provides motor protection and emergency stop up to SIL 3/PL e. Group shut-down, supply, and relay extension possible via DIN rail connector.

# EM-2RSC/21AU-R/L-P - Extension module



2908701

<https://www.phoenixcontact.com/us/products/2908701>

## ELR H5-IS-PT- 24DC/500AC-3-P - Hybrid motor starter

2909569

<https://www.phoenixcontact.com/us/products/2909569>



Hybrid motor starter as an alternative to a conventional reversing contactor. Reverses 3~ AC motors up to 3 A, provides motor protection and emergency stop up to SIL 3/PL e. Group shut-down, supply, and relay extension possible via DIN rail connector.

---

## ELR H3-IS-PT- 24DC/500AC-3-P - Hybrid motor starter

2909570

<https://www.phoenixcontact.com/us/products/2909570>



Hybrid motor starter as an alternative to a conventional protective circuit. Starts 3~ AC motors up to 3 A, provides motor protection and emergency stop up to SIL 3/PL e. Group shut-down, supply, and relay extension possible via DIN rail connector.

---

Phoenix Contact 2024 © - all rights reserved  
<https://www.phoenixcontact.com>

Phoenix Contact USA  
586 Fulling Mill Road  
Middletown, PA 17057, United States  
(+717) 944-1300  
[info@phoenixcon.com](mailto:info@phoenixcon.com)