

General Description

The HXR42100 Trans-impedance Limiting Amplifier array is a member of IDT's family of Optical Receiver Transmitter Array (ORTA) products targeted at the single channel fiber optic links market. Together with a discrete PIN detector array, high-capacity, high-availability optical links can be designed for datacom applications. This product is ideal for 100G to 25G fan-out applications.

The 3.3V SiGe device integrates the trans-impedance pre-amplifier, the limiting post-amplifier and a versatile CML output stage for a single, differential electrical channel.

Applications

- 100G to 25G Ethernet LR ran-out modules
- 32G Fibre Channel modules
- InfiniBand EDR 25G transceivers / AOC
- Proprietary multi-channel optical modules

Device Diagram

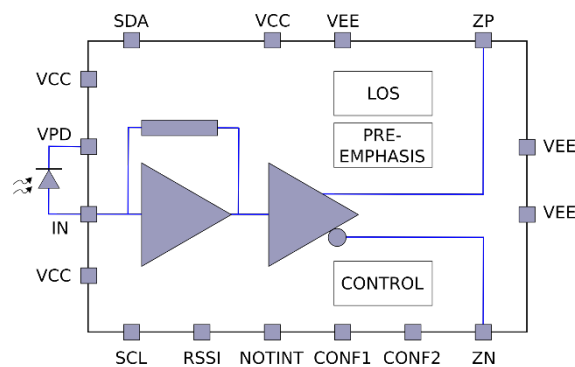


Figure 1: Device Diagram

Features

- 40 μ App receiver sensitivity for 10^{-12} BER at 28Gbps.
- Better than 2.4 mApp overload
- 128 mW per channel power consumption
- Adjustable output swing size, pre-emphasis and signal detect threshold
- Independent, scalable RSSI output
- Optimized for isolated and common cathode photo-detector arrays from multiple vendors
- I²C Compatible serial interface
- Suitable for TO can applications
- SFP25+ and SFP28+ MSA compatible

Ordering Information

Part	Temp Range	Pin-Package
HXR42100-DNT	0°C to +85°C	Bare Die* 1055 x 850 μ m
HXR42100-EVB	Room temp	Evaluation Board

* Design Size; Actual die size may be slightly larger/smaller

For price, delivery schedules, and to place orders, please contact IDT: www.IDT.com/go/sales

**Corporate Headquarters**

6024 Silver Creek Valley Road
San Jose, CA 95138
www.IDT.com

Sales

1-800-345-7015 or 408-284-8200
Fax: 408-284-2775
www.IDT.com/go/sales

Tech Support

www.IDT.com/go/support

DISCLAIMER Integrated Device Technology, Inc. (IDT) and its affiliated companies (herein referred to as "IDT") reserve the right to modify the products and/or specifications described herein at any time, without notice, at IDT's sole discretion. Performance specifications and operating parameters of the described products are determined in an independent state and are not guaranteed to perform the same way when installed in customer products. The information contained herein is provided without representation or warranty of any kind, whether express or implied, including, but not limited to, the suitability of IDT's products for any particular purpose, an implied warranty of merchantability, or non-infringement of the intellectual property rights of others. This document is presented only as a guide and does not convey any license under intellectual property rights of IDT or any third parties.

IDT's products are not intended for use in applications involving extreme environmental conditions or in life support systems or similar devices where the failure or malfunction of an IDT product can be reasonably expected to significantly affect the health or safety of users. Anyone using an IDT product in such a manner does so at their own risk, absent an express, written agreement by IDT.

Integrated Device Technology, IDT and the IDT logo are trademarks or registered trademarks of IDT and its subsidiaries in the United States and other countries. Other trademarks used herein are the property of IDT or their respective third party owners. For datasheet type definitions and a glossary of common terms, visit www.idt.com/go/glossary. All contents of this document are copyright of Integrated Device Technology, Inc. All rights reserved.