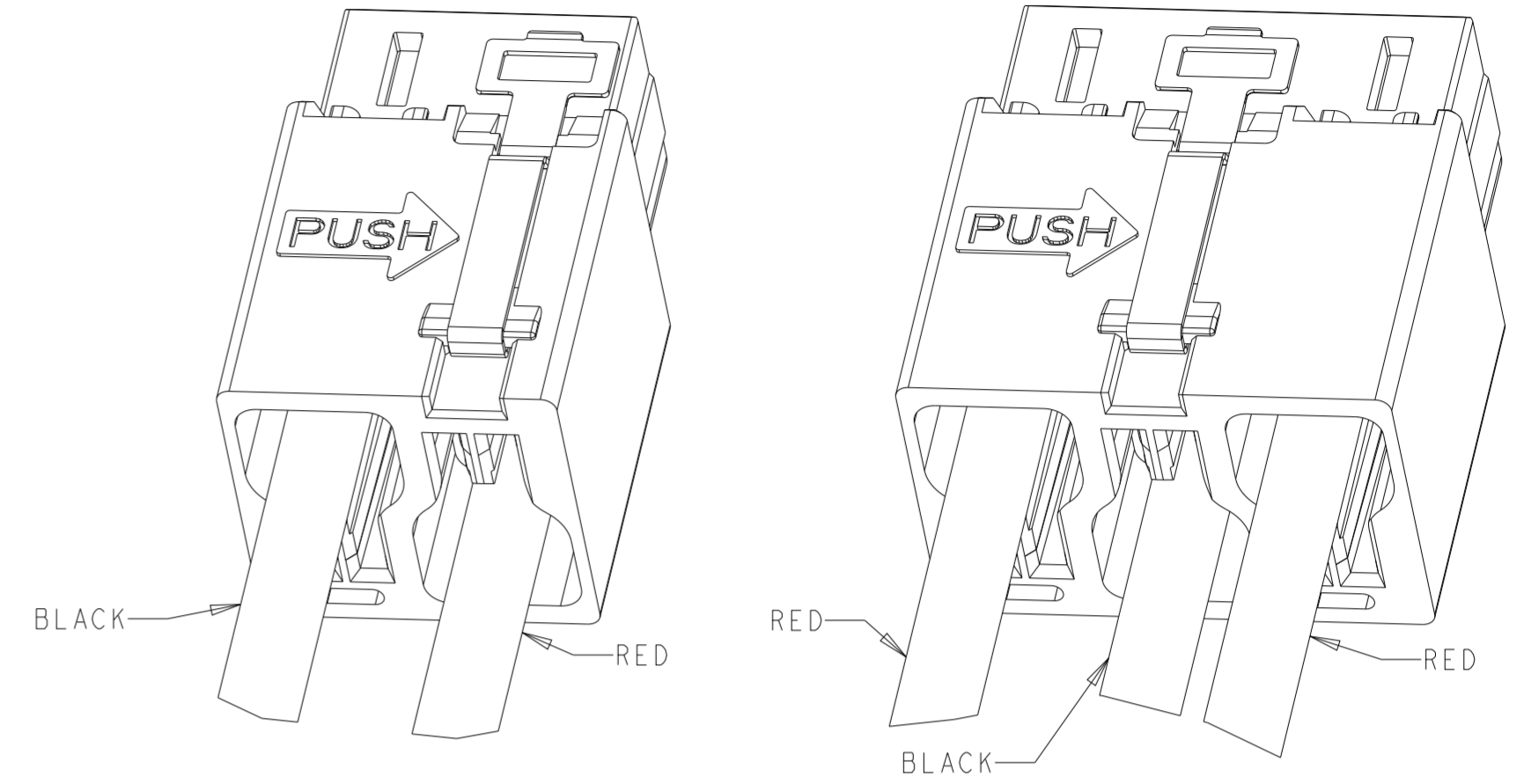
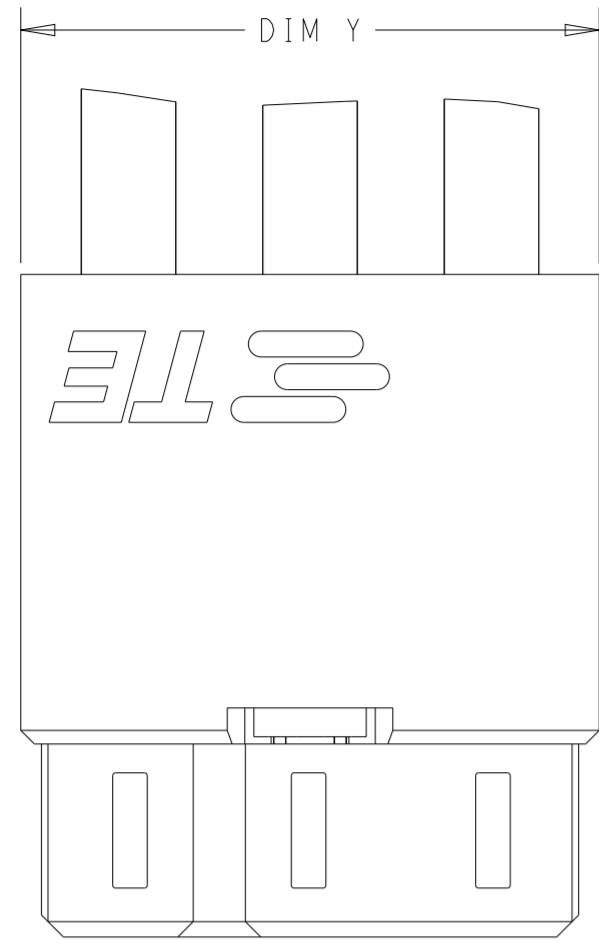


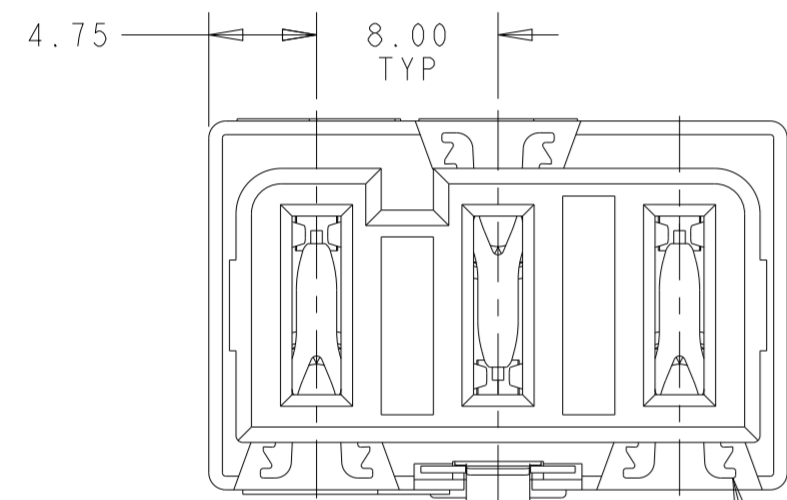
THIS DRAWING IS UNPUBLISHED. RELEASED FOR PUBLICATION 20
 © COPYRIGHT 20 BY - ALL RIGHTS RESERVED.

REVISIONS				
P	LTR	DESCRIPTION	DATE	APVD
A		INITIAL RELEASE	14SEP2021	
B		REVISED PER ECN-22-176108	30SEP2022	LP RL

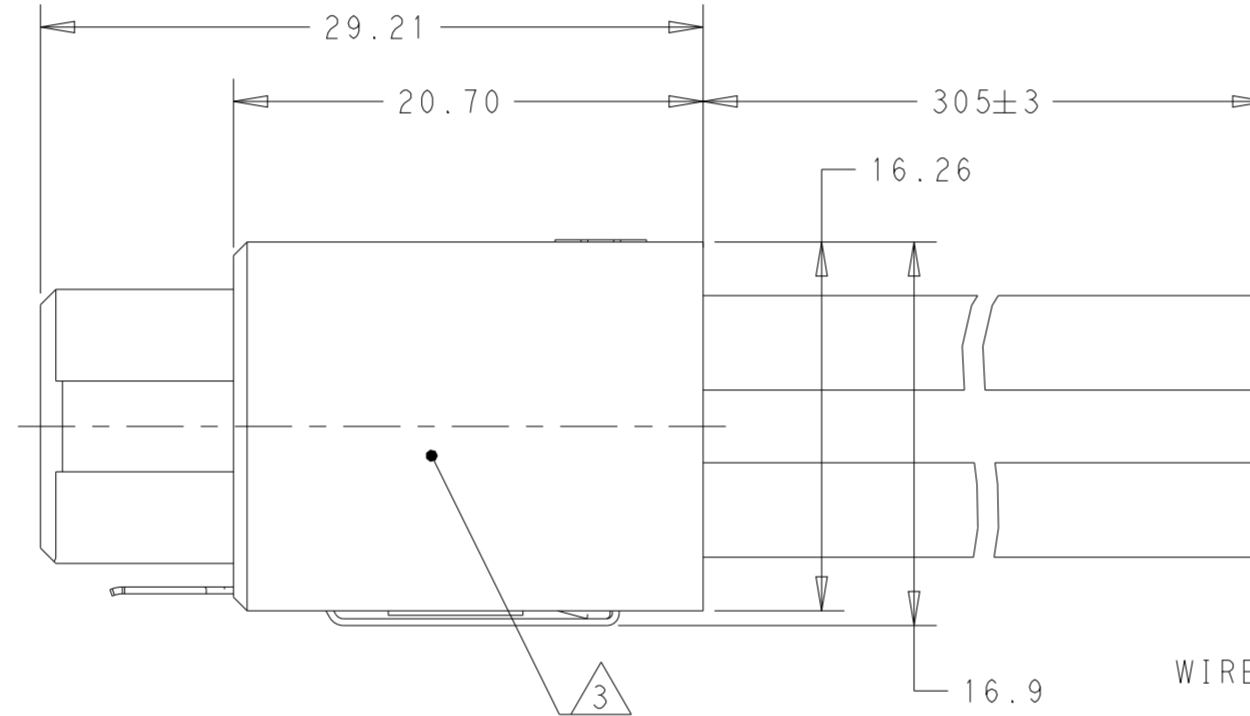


2 POSITION
2332672-1 THRU -4

3 POSITION
2332672-5 THRU -8

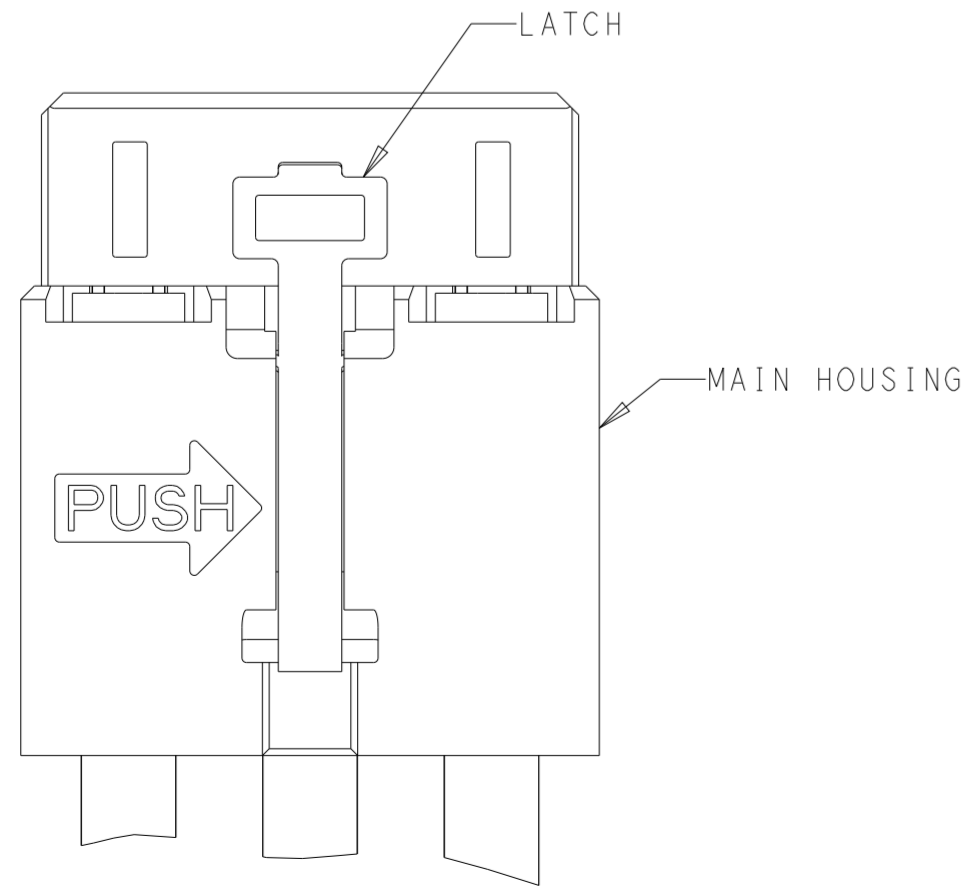


CONTACT LOCK



WIRE

- 1 MATERIAL: LATCH - STAINLESS STEEL
 CONTACTS - HIGH CONDUCTIVITY COPPER ALLOY
 HOUSINGS - THERMOPLASTIC, UL94 V-0
 MAIN HOUSING COLOR: ORANGE
 CONTACT LOCKS COLOR: WHITE
 WIRE - STRANDED COPPER WITH SILICONE JACKET, RATED TO 200°C
 COLOR: RED OR BLACK AS SHOWN.
- 2 FINISH: NICKEL UNDERPLATE ALL OVER.
 NOBLE METAL PLATING ON CONTACT FUNCTIONAL AREA.
 TIN PLATING IN CRIMP AREA
- 3 PART NUMBER AND DATECODE TO BE MARKED IN AREA SHOWN.



8 AWG	25.50	3 POSITION	2332672-8
10 AWG	25.50	3 POSITION	2332672-7
12 AWG	25.50	3 POSITION	2332672-6
14 AWG	25.50	3 POSITION	2332672-5
8 AWG	17.50	2 POSITION	2332672-4
10 AWG	17.50	2 POSITION	2332672-3
12 AWG	17.50	2 POSITION	2332672-2
14 AWG	17.50	2 POSITION	2332672-1
WIRE SIZE	DIM Y	DESCRIPTION	PART NO.

THIS DRAWING IS A CONTROLLED DOCUMENT.		DWN K. MILLER 01OCT2018	TE Connectivity	
		CHK N. RUFFINI 01OCT2018		
DIMENSIONS: mm		APVD -	NAME UMP, RECEPTACLE, CONNECTOR ASSEMBLY	
TOLERANCES UNLESS OTHERWISE SPECIFIED: 0 PLC ± 1 PLC ±0.25 2 PLC ±0.13 3 PLC ± 4 PLC ± ANGLES ±2° FINISH		PRODUCT SPEC 108-163021	RESTRICTED TO -	
MATERIAL		APVD -	SIZE A2	CAGE CODE 00779
1		APVD -	DRAWING NO C-2332672	REV B
		2	SCALE 3:1 SHEET 1 OF 1	
		CUSTOMER DRAWING		REV B